



VIRGINIAMARBLE
M A N U F A C T U R E R S , I N C

Product Information and Specifications

Shower Products and Accessories

Table of Contents

Information needed when placing an order	5
Colors and Materials	7
Cultured Marble	8
Cultured Granite	9
Shower Panels	10
Rectangular and Square Shower Pans	13
1050-06: 60x32 End Drain Replacement Pan	14
1050-06W: 60x32 End Drain Replacement Pan with Water Dam	14
1051-26: 60x32 Shower Pan with Center Drain	15
1051-06: 36x36 Shower Pan with Center Drain	16
1051-07: 42x36 Shower Pan with Center Drain	17
1051-08: 48x36 Shower Pan with Center Drain	18
1051-10: 60x36 Shower Pan with Center Drain	19
1051-03: 36x42 Shower Pan with Center Drain	20
1051-05: 42x42 Shower Pan with Center Drain	21

1051-04: 48x42 Shower Pan with Center Drain	22
1051-12: 60x42 Shower Pan with Center Drain	23
1051-19: 48x48 Shower Pan with Center Drain	24
Neo Angle Shower Pans	26
36" Neo Angle Corner Shower Pan	27
38" Neo Angle Corner Shower Pan	28
42" Neo Angle Corner Shower Pan	29
48" Neo Angle Corner Shower Pan	30
Low Profile and Walk-in Shower Pans	32
1053-06: 36" x 36" Low Profile	33
1053-07: 42" x 36" Low Profile	34
1053-08: 48" x 36" Low Profile	35
1053-10: 60" x 36" Low Profile	36
1053-LH: 60" x 32" Low Profile	37
1053-RH: 60" x 32" Low Profile	38

Table of Contents

Universal pan and thresholds	40
Universal Shower Pan	41
Universal Shower Threshold for use with Universal Shower Pan	42
Ramp/Handicap Threshold for use with Low Profile Shower Pans	43
Shower Accessories	43
Recessed Small Diamond Shower Caddy	44
Recessed Medium Diamond Shower Caddy	45
Recessed Large Diamond Shower Caddy	46
Recessed Medium Sweetheart Shower Caddy	47
Recessed Deluxe Shower Caddy	48
Recessed Square Niche Caddy	49
Surface Mount Soap/Shampoo Holder Corner Shower Caddy	50
Surface Mount Corner Shelf with or without Soap Depression	51
Shower Caddy Size Comparison	52
Corner Shower Seat with Flange	56
Corner Shower Seat B	57

Molding	59
Inside Corner Molding	60
Single Edge Molding	61
Batten Strip Molding	62
Rope Molding	63
Cultured Marble and Cultured Granite Care and Maintenance	65
Cultured Marble and Cultured Granite Warranty	67
Cultured Marble and Cultured Granite Standard Repair Procedure	68

Information needed when placing a shower order

Quantity

Description: text description of item being ordered and /or any details not included in the order form fields.

Color*: Virginia Marble code and/or color name

Pans and Accessories: Item code and/or product name

Panels

- Panel type: smooth, subway, tile pattern A
- Height
- Width

Universal Shower Pans (diagram/drawing may be required)

- Length, width, and drain placement.
- Water dam location, if applicable
- Threshold type, size, and location

*see Colors and Materials on following pages.

Fillable order form with diagrams is provided on for your convenience on our website.

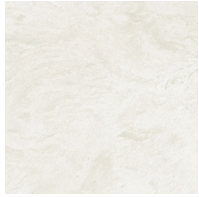
October 2024



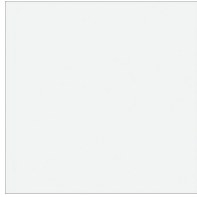
Colors and Material

October 2024

Cultured Marble



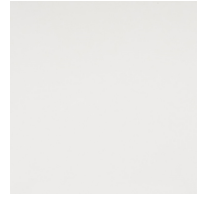
019: Natural
Vein on White



031: Bright
White



101: White
Vein on White



103: Solid
White



117: Country
Gray Vein on
White



120: Classic
Cream



122: Platinum
Blend



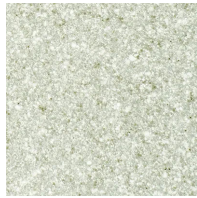
517: Solid
Kohler Biscuit

Colors available are subject to change. Call for availability.

Cultured Granite



422:
Cappuccino
Granite



424: Shimmer
Granite



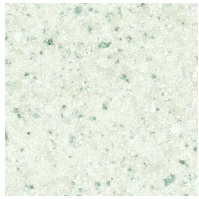
425: Oatmeal
Granite



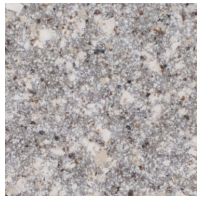
430: Millstone
Granite



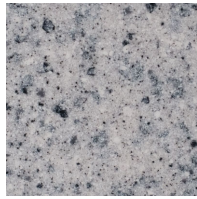
440: Desert
Rock Granite



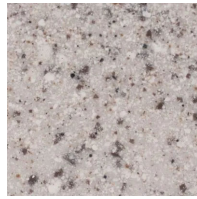
442: Frost
Granite



446: Galaxy
Granite



450: Alpine
Granite



452: Adobe
Granite

Matching granite color caulk is available for all cultured granite colors.

Colors available are subject to change. Call for availability.



Shower Panels

Shower Panel Options

Availability subject to change

Cultured Marble (8)

019 Natural Vein on White	117 Country Gray Vein on White
031 Bright White	120 Classic Cream
101 White Vein on White	122 Platinum

While the above colors are listed as standard colors for pricing purposes, not all items are stocked for immediate shipment.

Cultured Granite (9)

422 Cappuccino Granite	430 Millstone Granite	446 Galaxy Granite
424 Shimmer Granite	440 Desert Rock Granite	450 Alpine Granite
425 Oatmeal		452 Adobe

All Cultured Granite colors are available for shower products.

Matching granite color caulk available for all granite colors.

3/8" Smooth

Maximum height: 84"

Available Widths:

32" 36" 42" 48" 60"

3/8" Subway (3"x6")

Maximum height: 85"

Available Widths:

32" 36" 42" 48" 60"

3/8" Tile Pattern with 12"x12" Accent type A

Maximum height: 90"

Available Widths:

36" 42" 48" 60"

3/4" Flat stock/panels

Maximum height: 120"

Available Widths:

2-3/8" 3" 4" 5" 6" 7" 8" 11" 16" 19" 22" 25"



Rectangular and Square Shower Pans

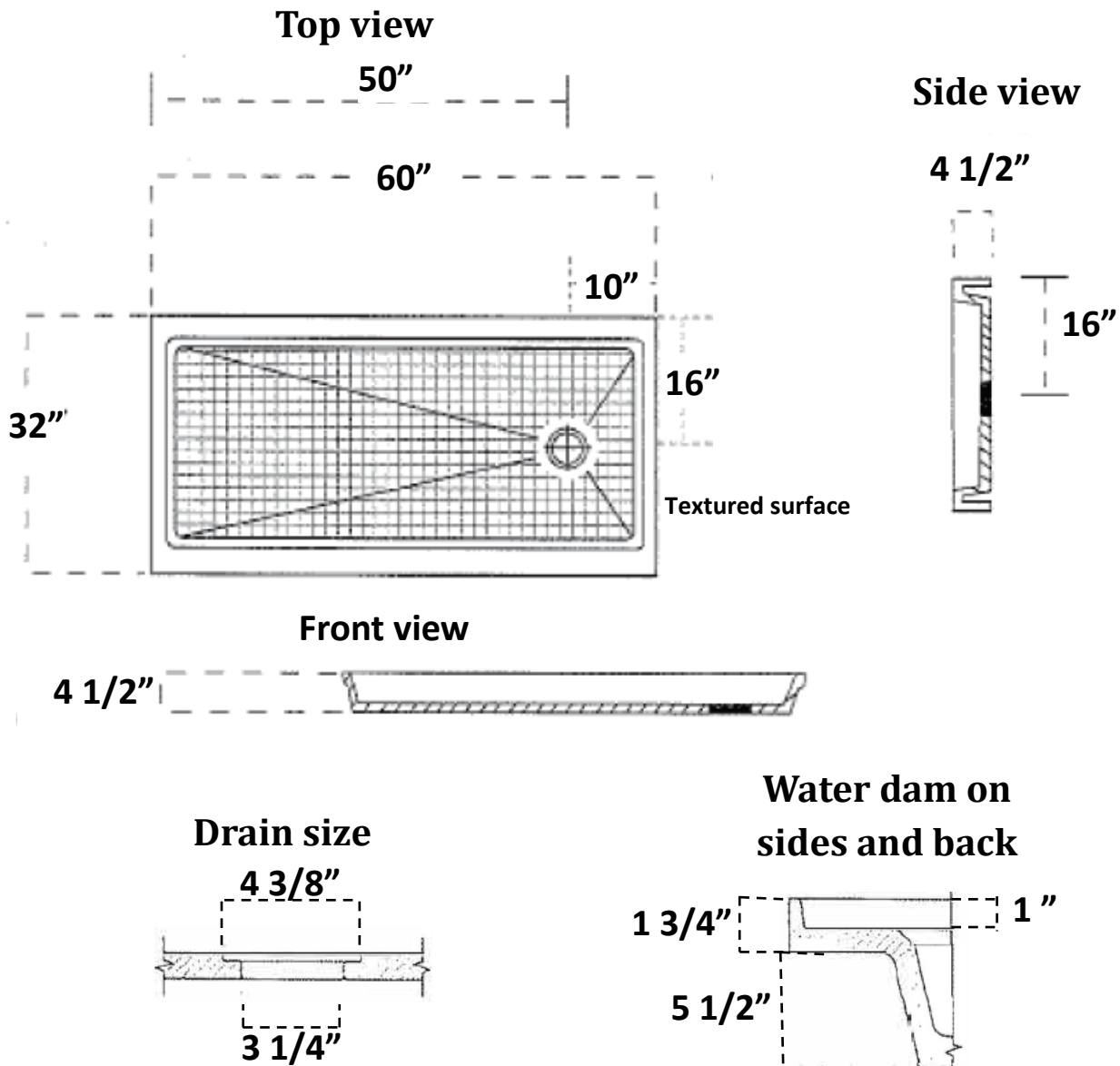
October 2024

Specifications

1050-06: 60x32 End Drain Replacement Pan

1050-06W: 60x32 End Drain Replacement Pan with Water Dam

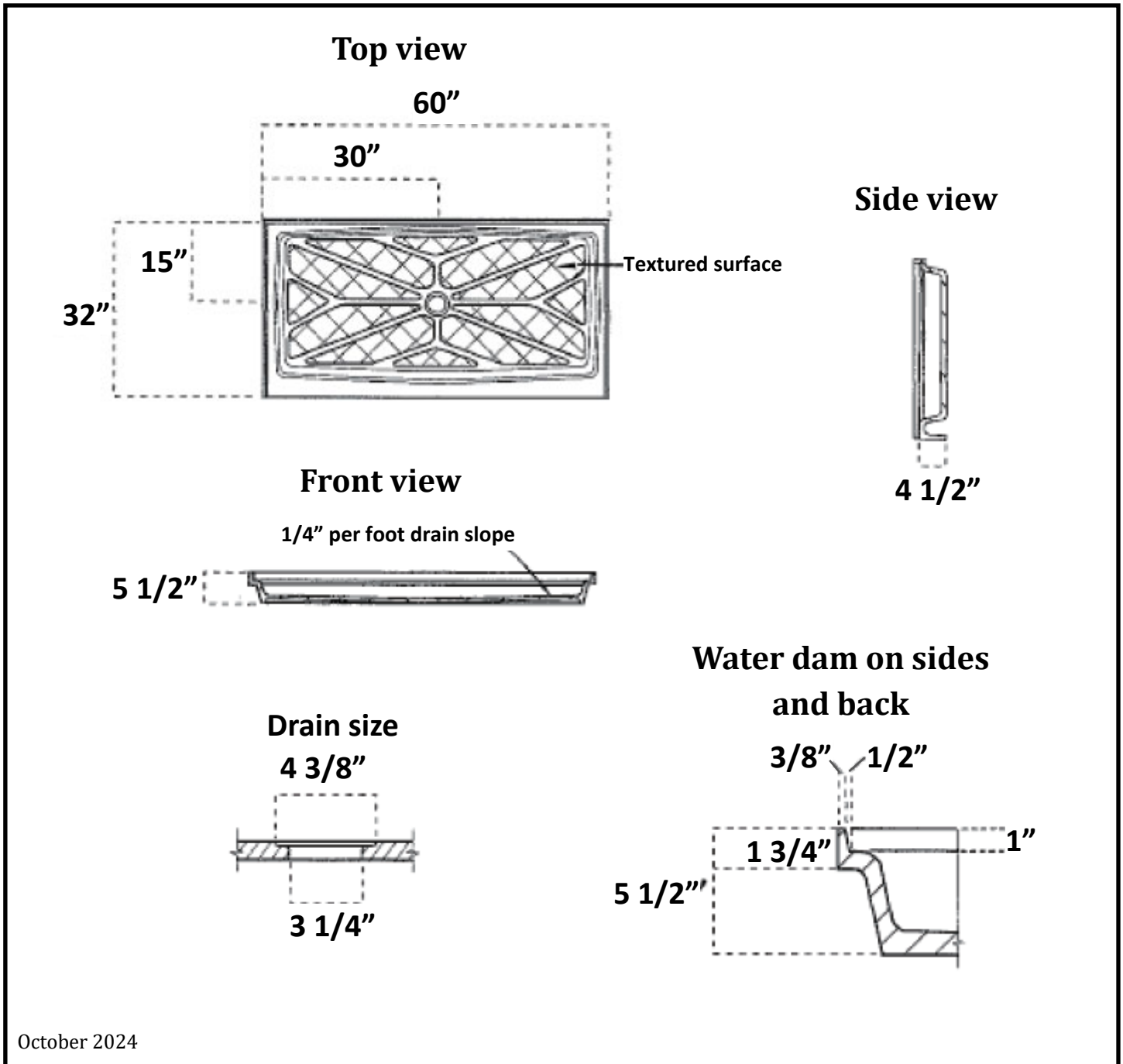
Fiberglass water dam is attached by Virginia Marble on 3 sides (32", 60", 32") to serve as tile flange. Water dam increases pan size by 1/4"-1/2".



October 2024

Specifications

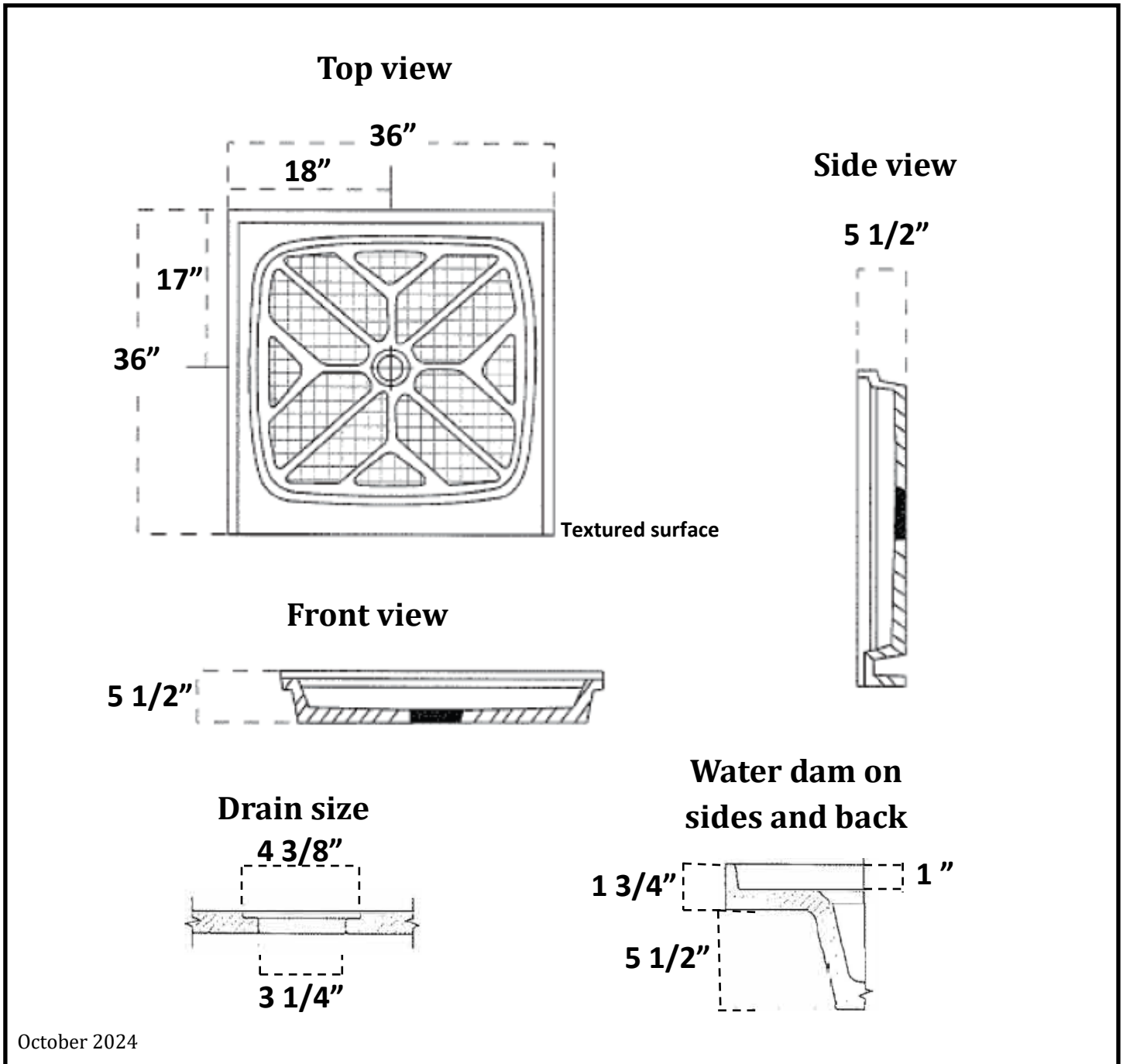
1051-26: 60x32 Shower Pan with Center Drain



October 2024

Specifications

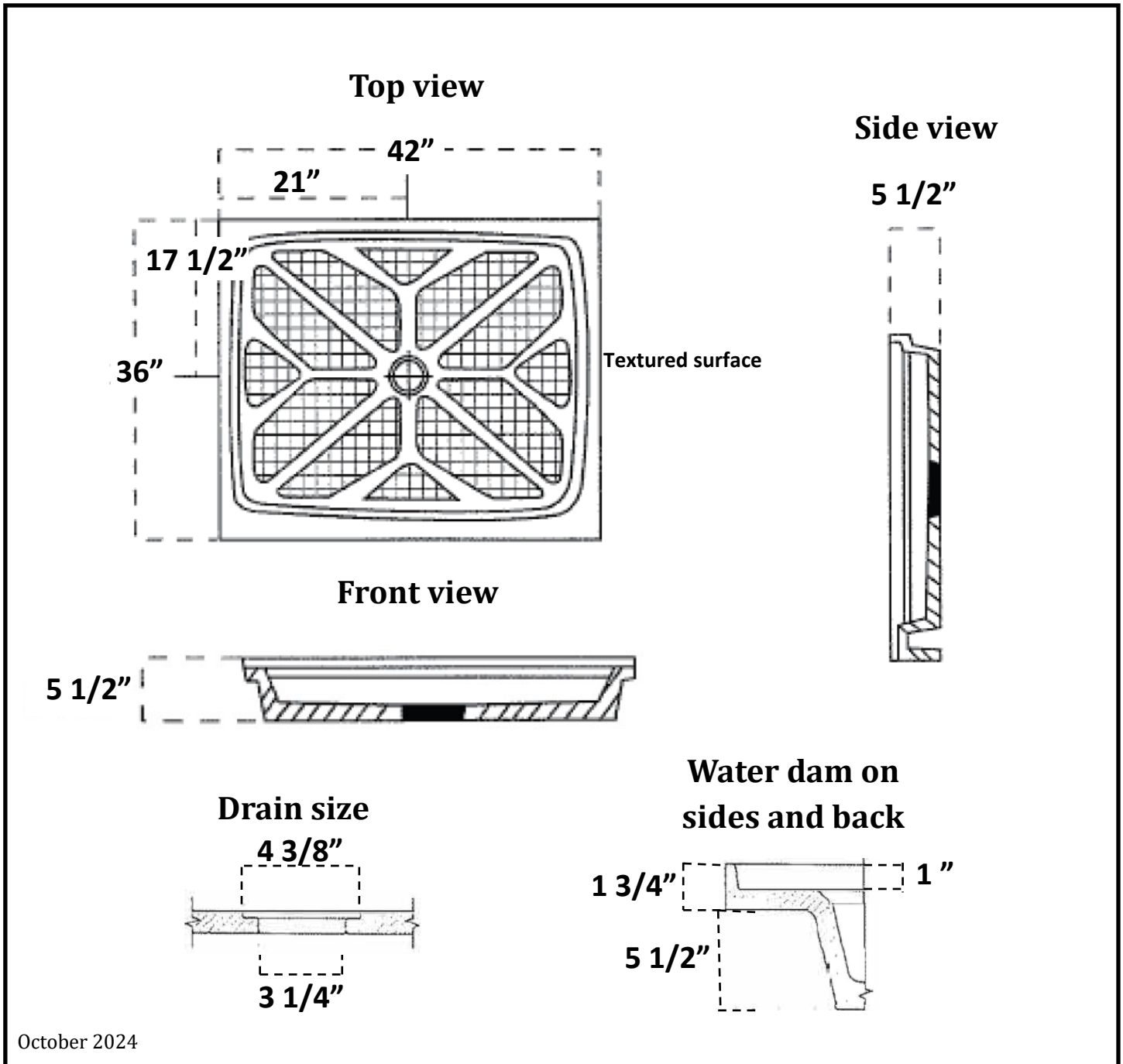
1051-06: 36x36 Shower Pan with Center Drain



October 2024

Specifications

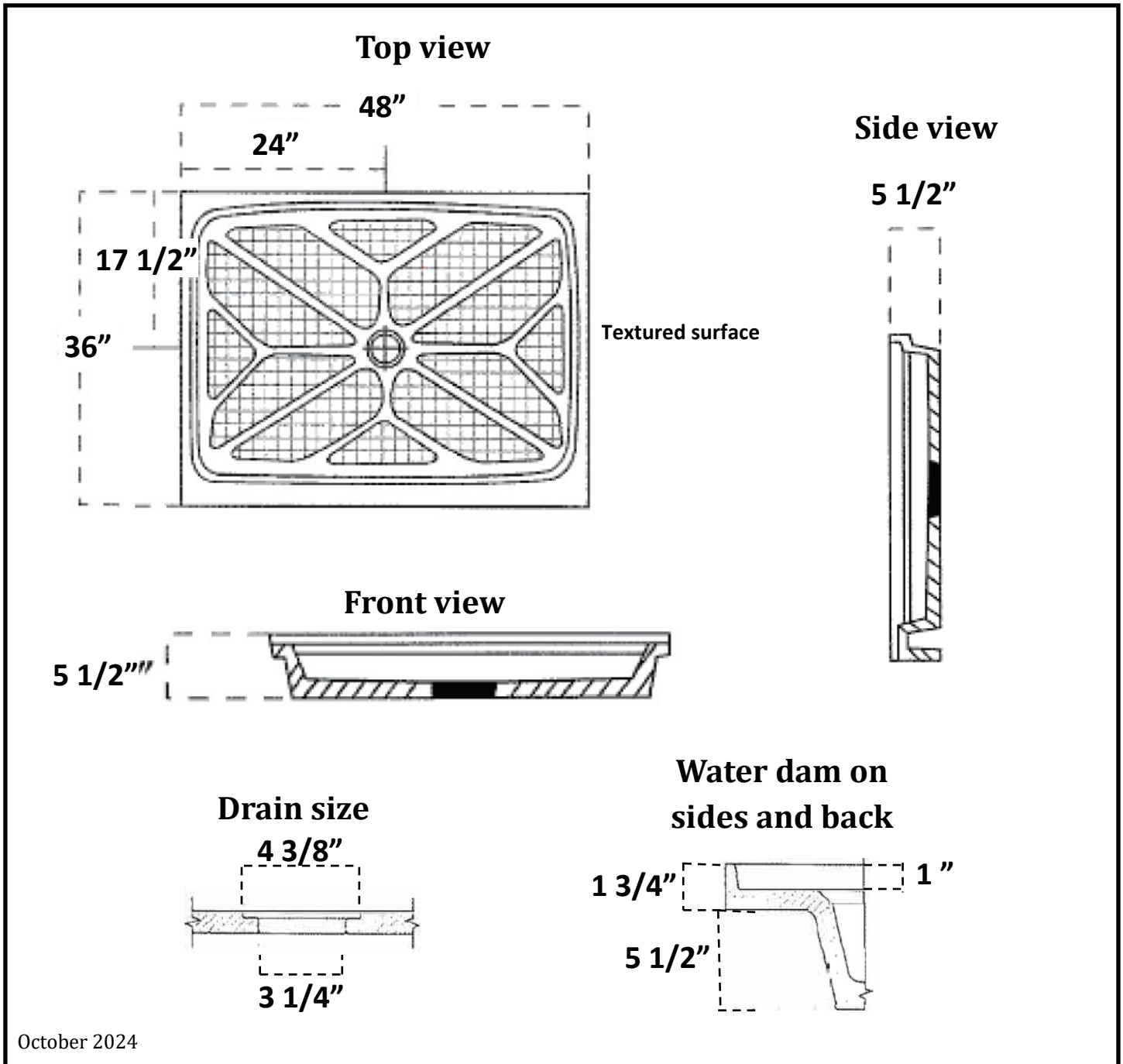
1051-07: 42x36 Shower Pan with Center Drain



October 2024

Specifications

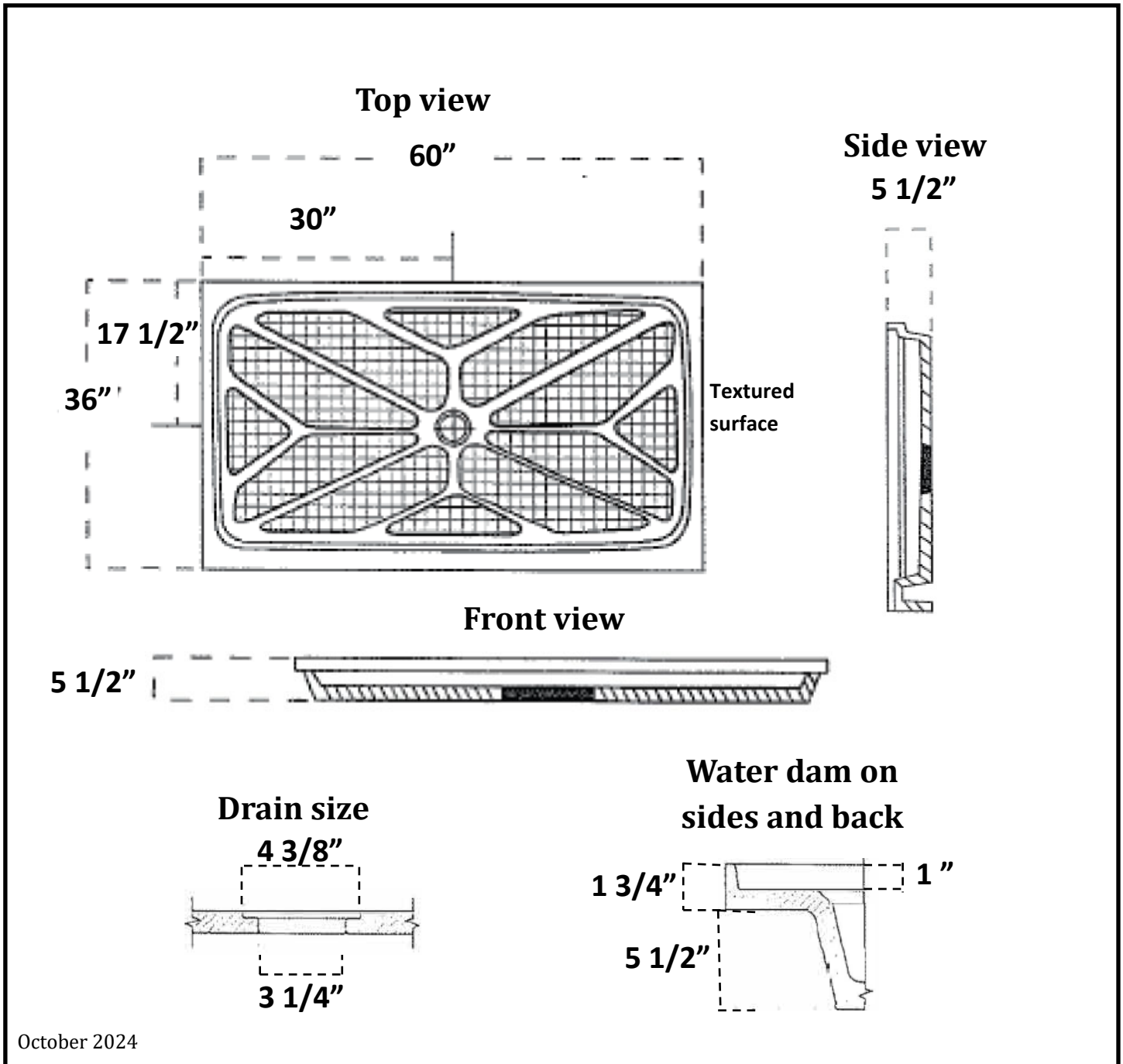
1051-08: 48x36 Shower Pan with Center Drain



October 2024

Specifications

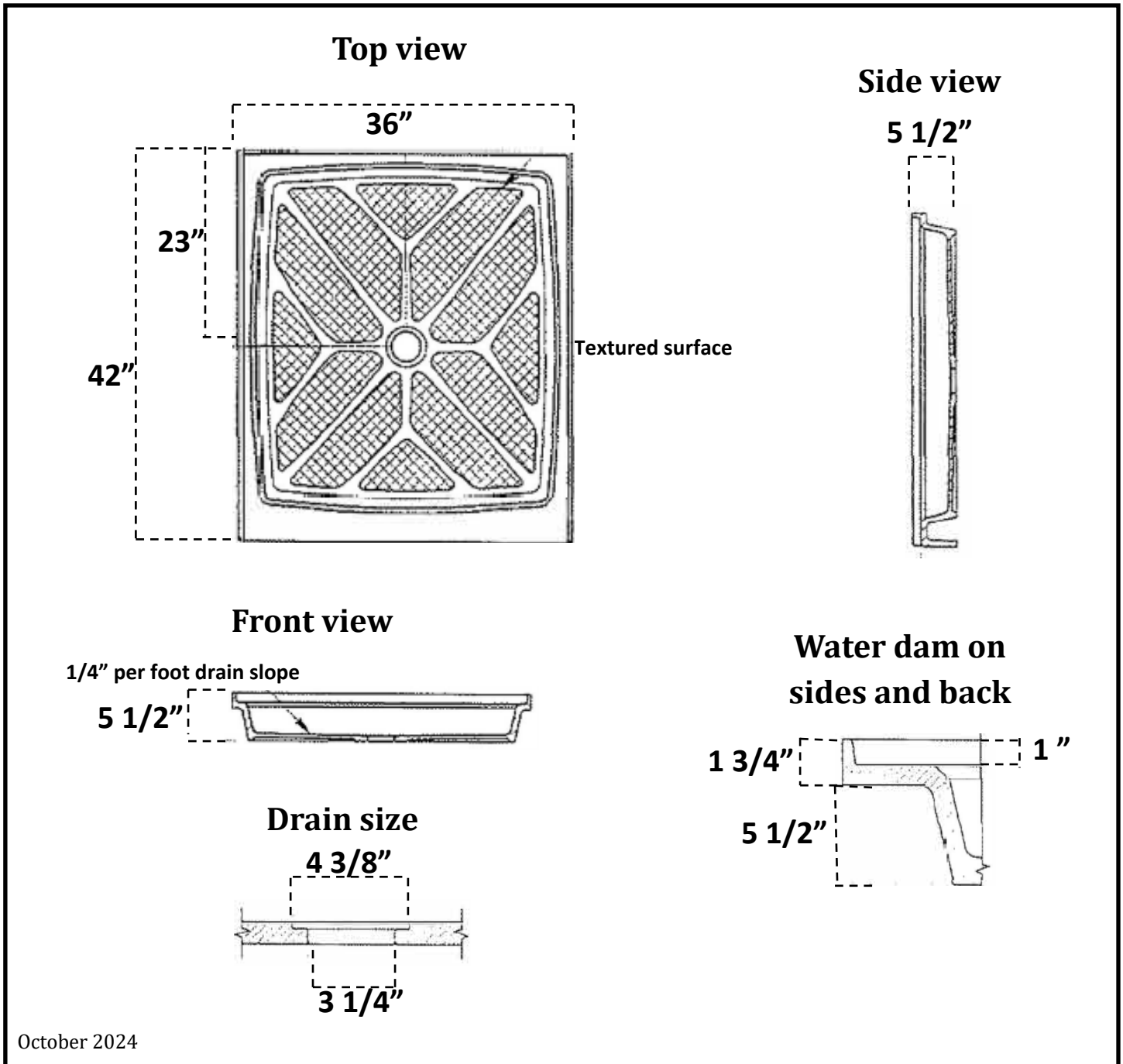
1051-10: 60x36 Shower Pan with Center Drain



October 2024

Specifications

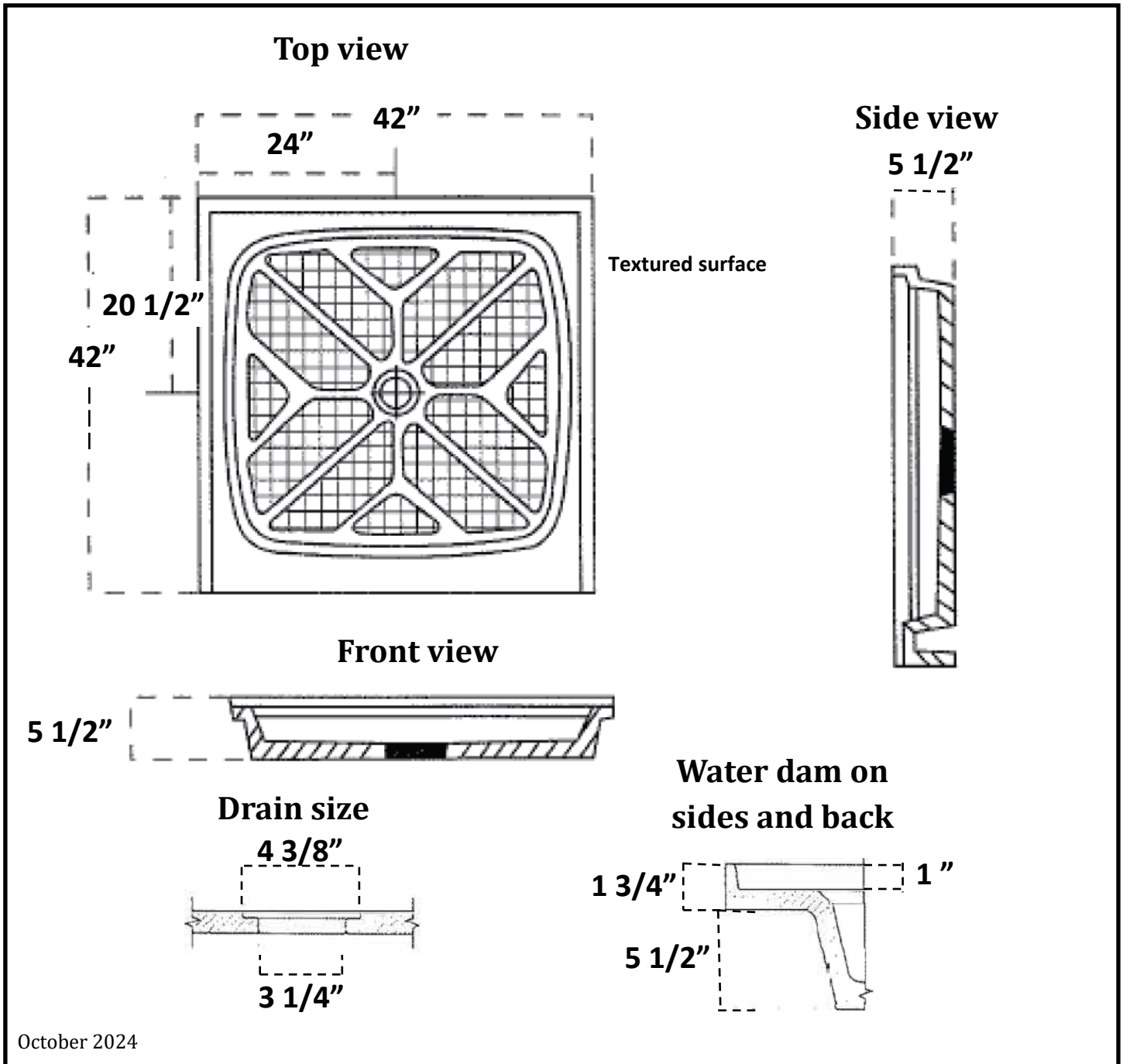
1051-03: 36x42 Shower Pan with Center Drain



October 2024

Specifications

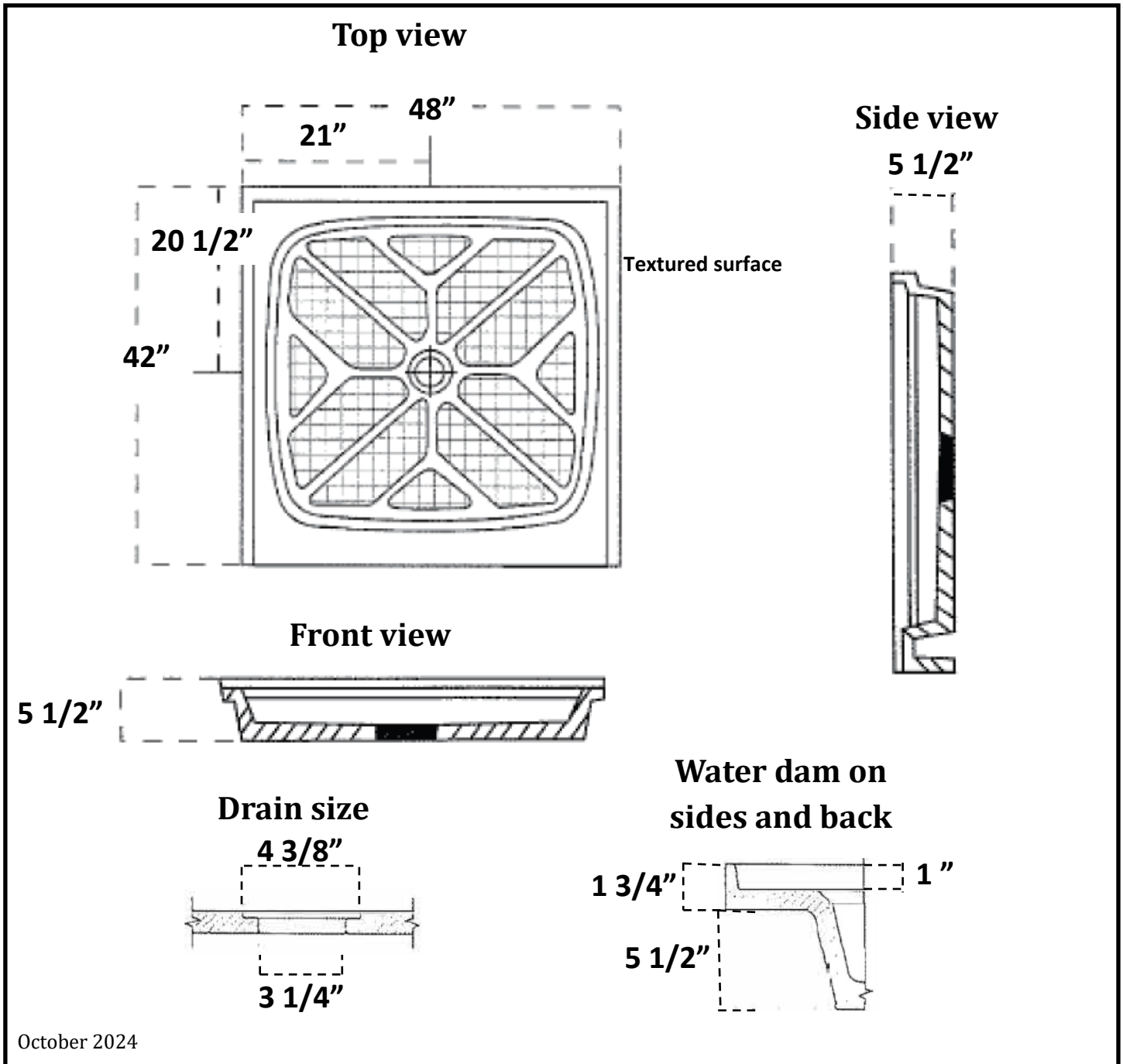
1051-05: 42x42 Shower Pan with Center Drain



October 2024

Specifications

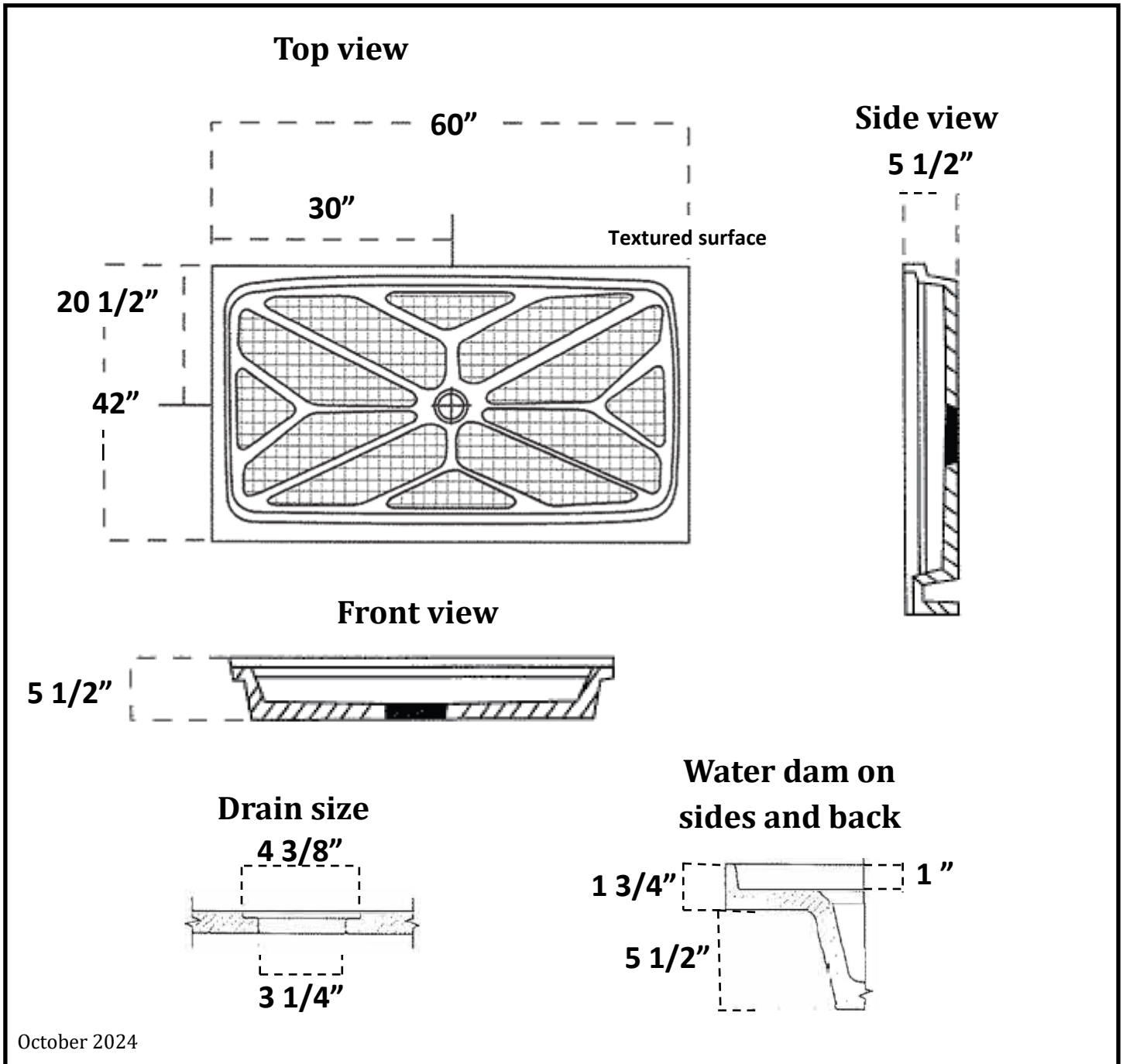
1051-04: 48x42 Shower Pan with Center Drain



October 2024

Specifications

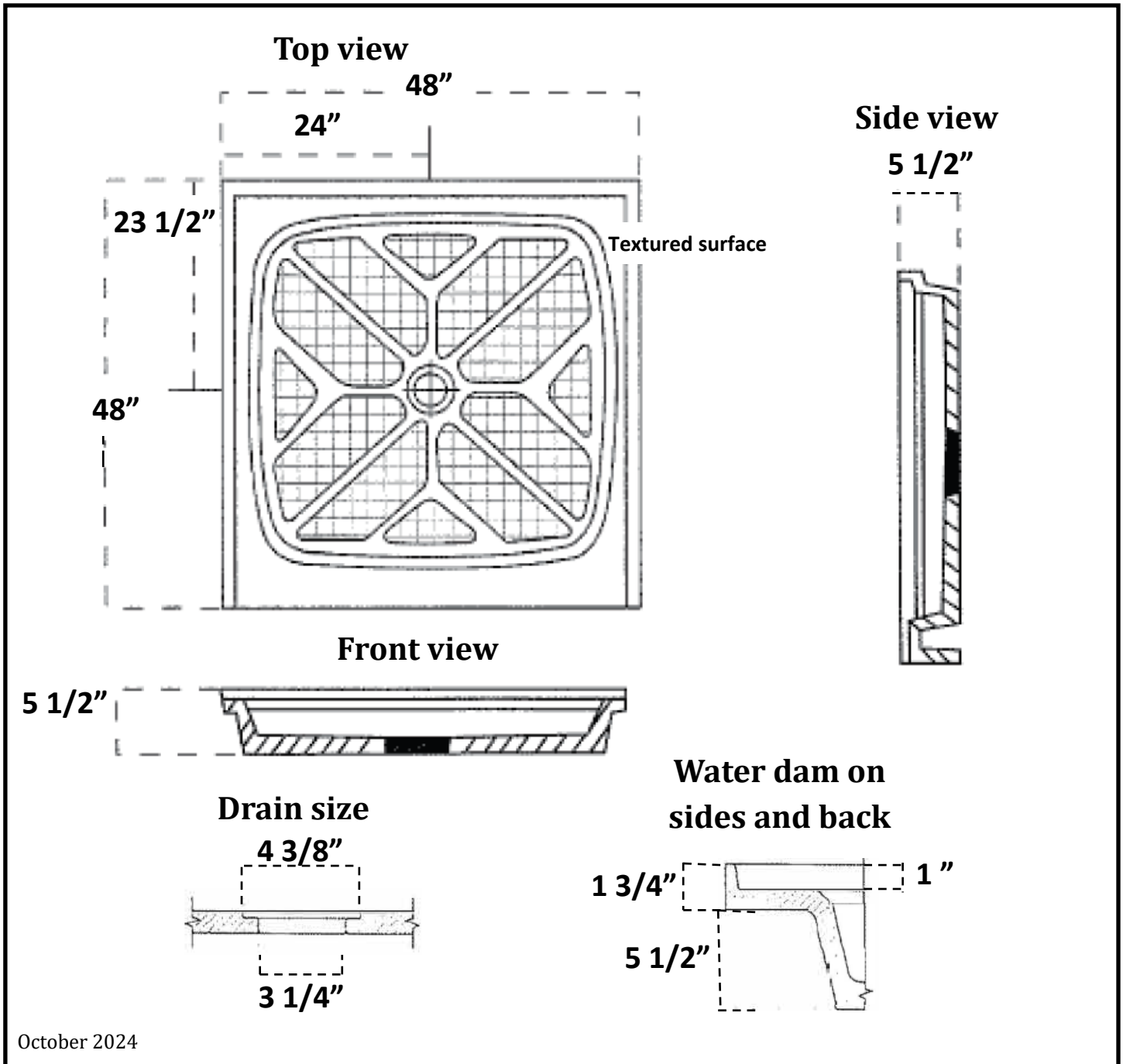
1051-12: 60x42 Shower Pan with Center Drain



October 2024

Specifications

1051-19: 48x48 Shower Pan with Center Drain



October 2024

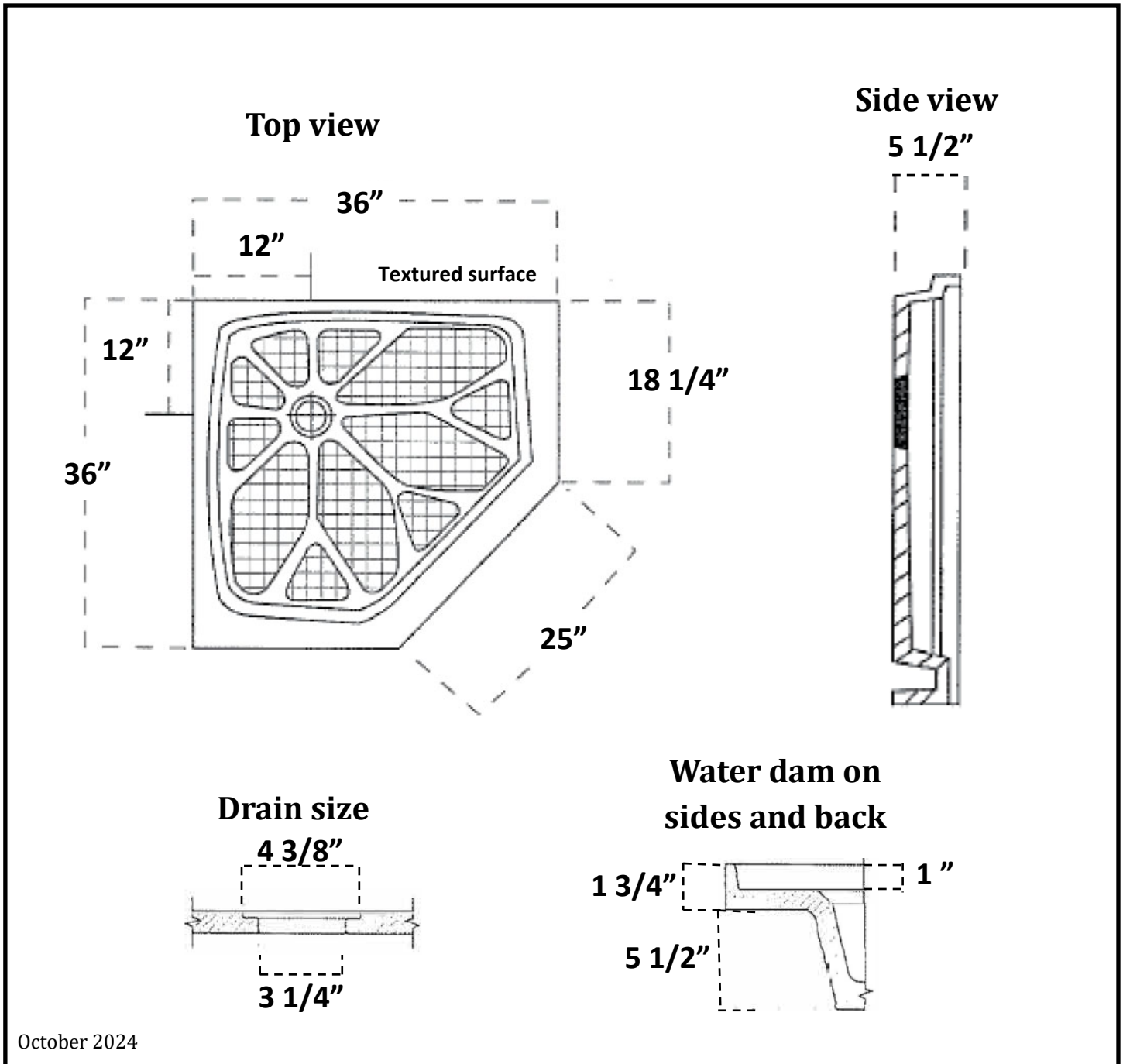


Neo Angle Shower Pans

October 2024

Specifications

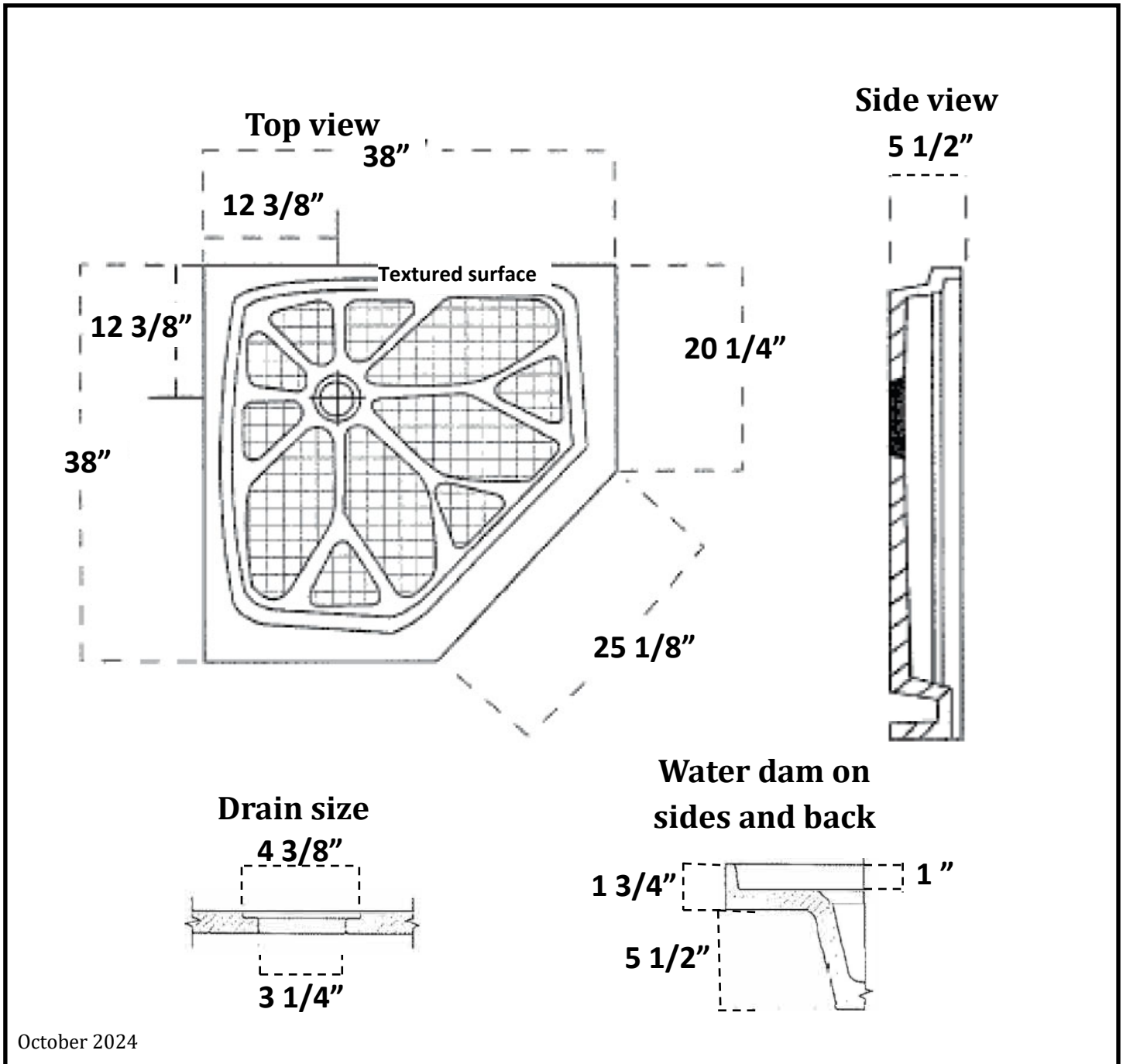
36" Neo Angle Corner Shower Pan



October 2024

Specifications

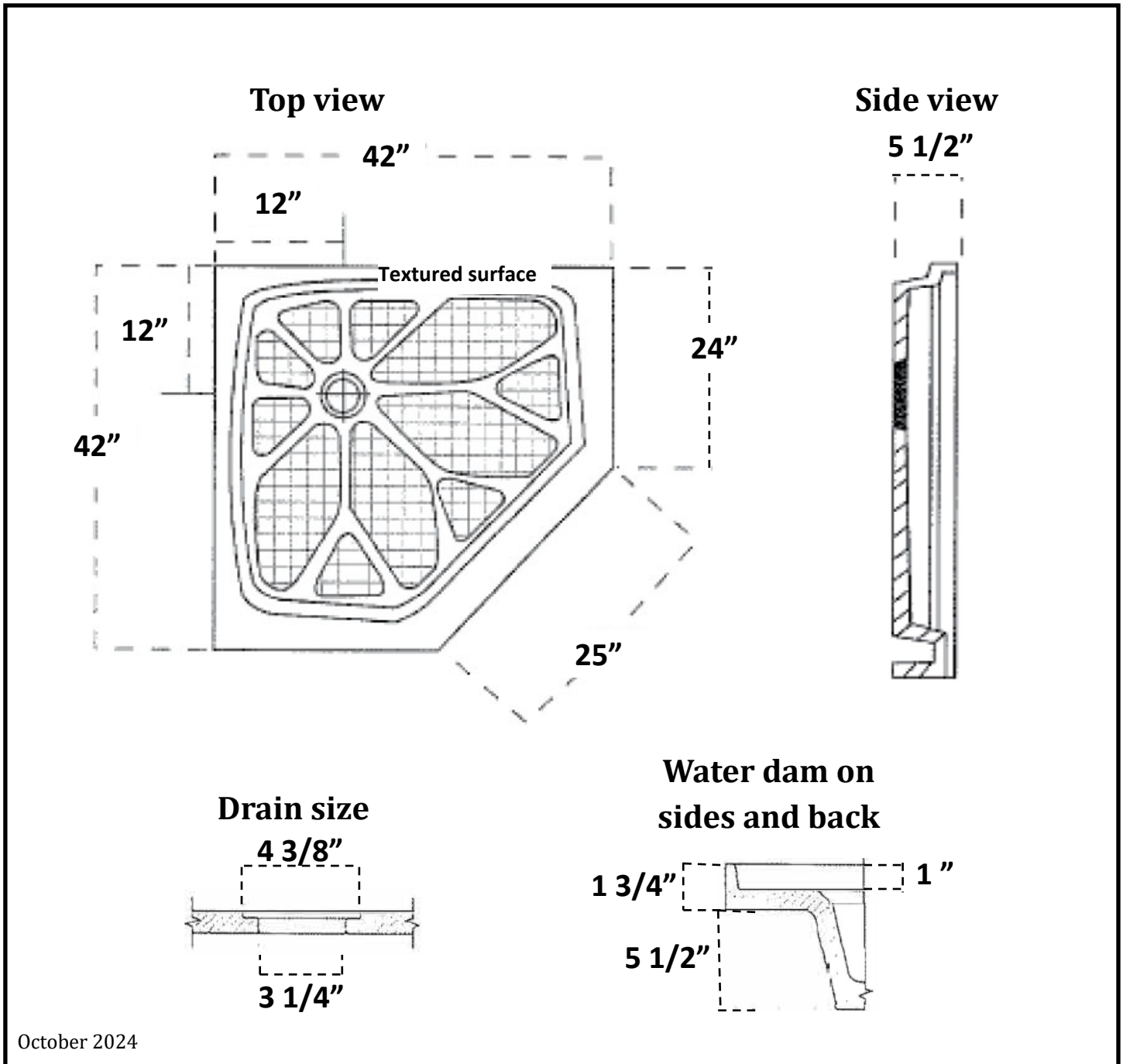
38" Neo Angle Corner Shower Pan



October 2024

Specifications

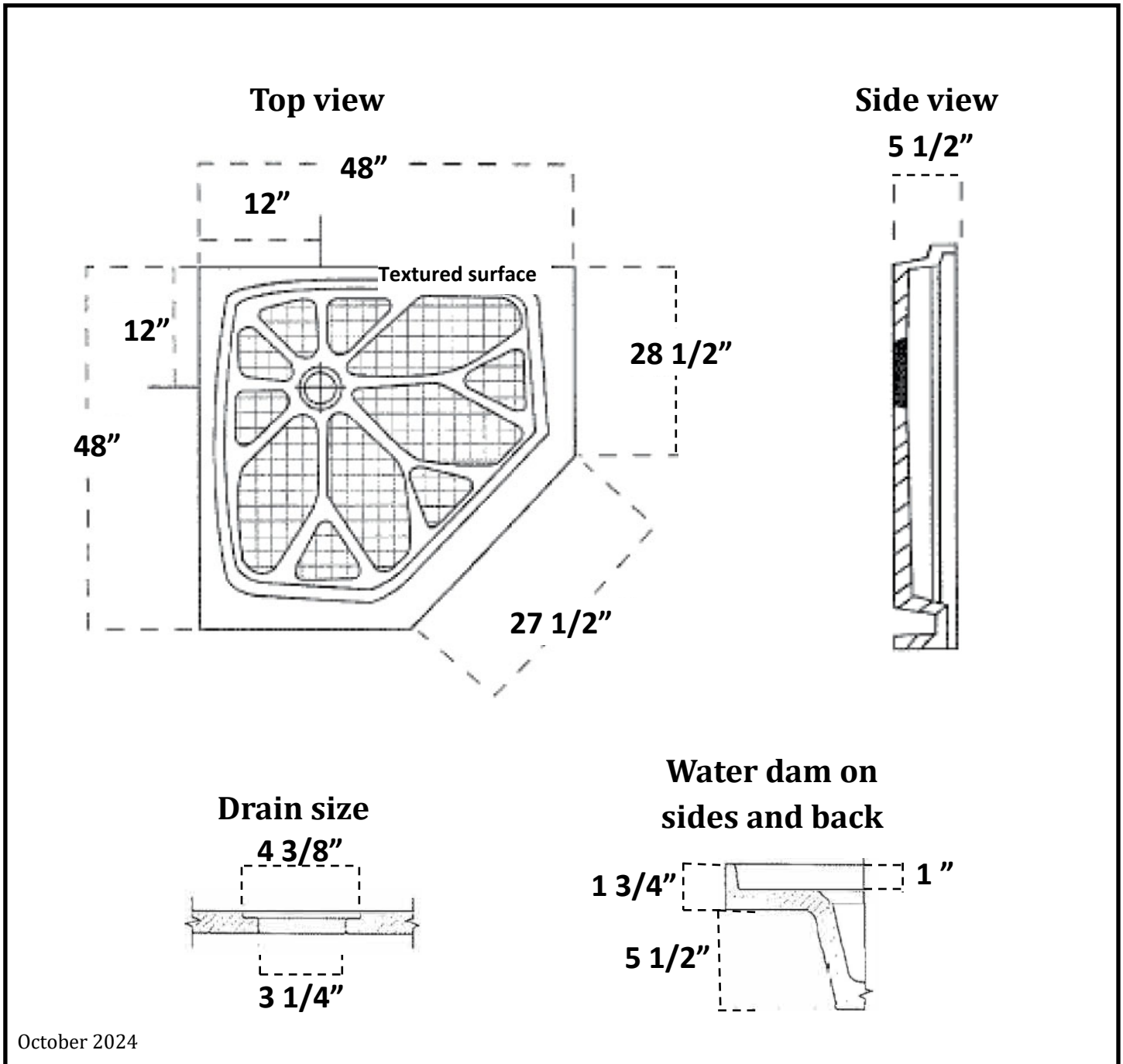
42" Neo Angle Corner Shower Pan



October 2024

Specifications

48" Neo Angle Corner Shower Pan



October 2024



Low Profile / Walk In Shower

Specifications

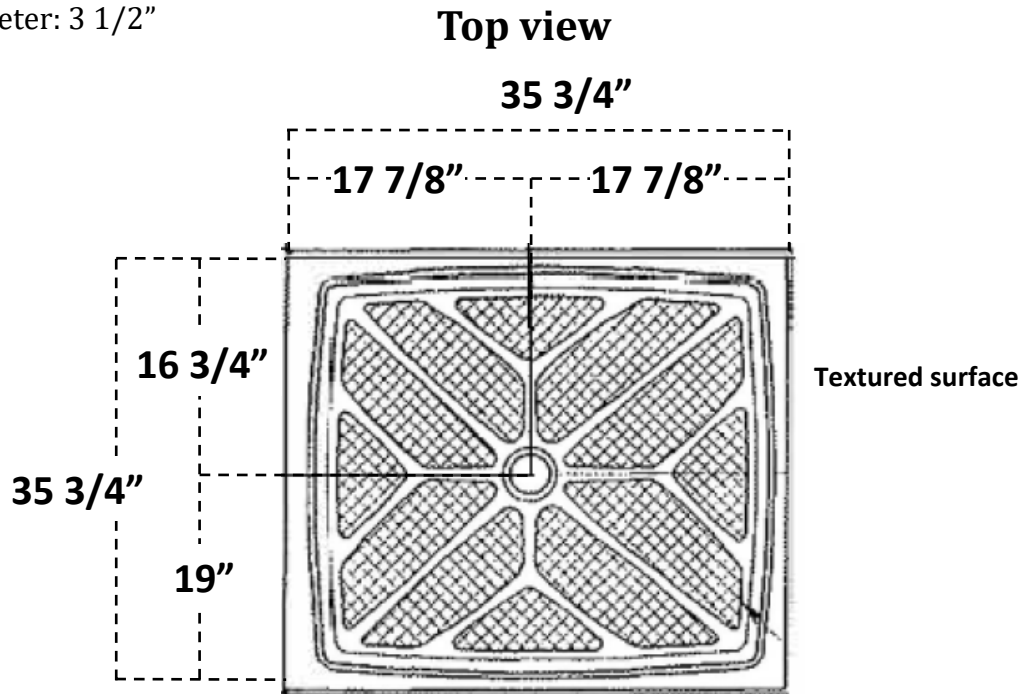
1053-06: 36" x 36" Low Profile Walk-In Shower Pan

Threshold: 1 1/2" tall x 2 1/4" thick

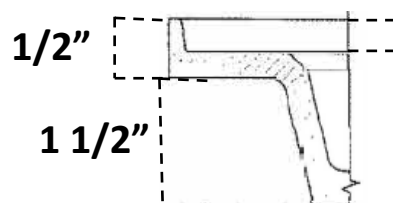
Water dam, sides and back: 1/2" tall x 1/4" thick

Overall height including water dam: 2"

Drain diameter: 3 1/2"



Water dam on sides and back



October 2024

Specifications

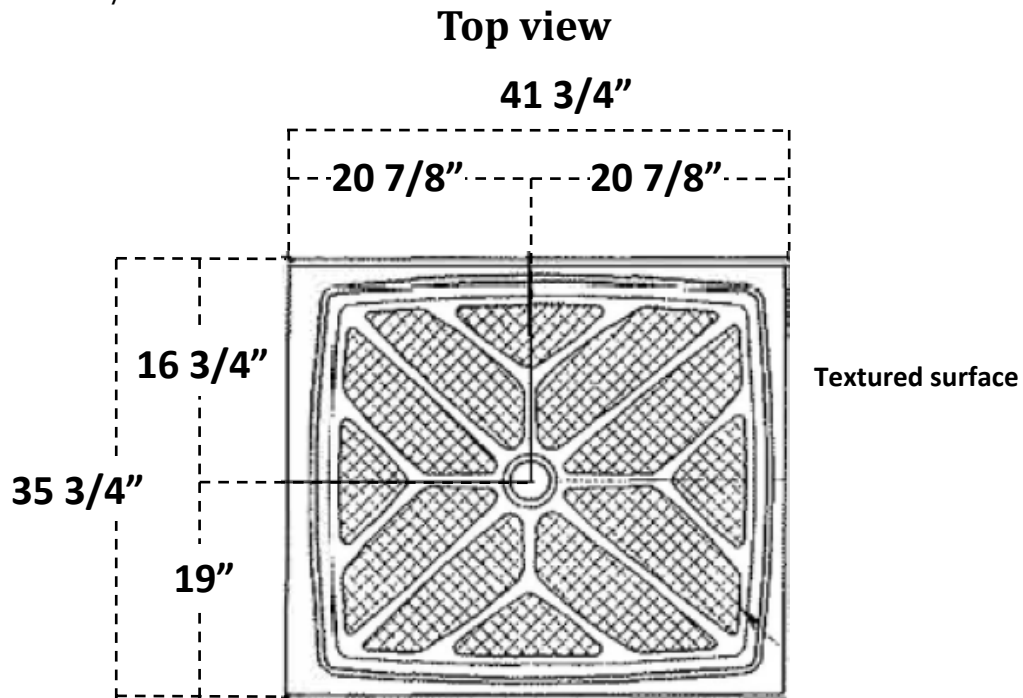
1053-07: 42" x 36" Low Profile Walk-In Shower Pan

Threshold: 1 1/2" tall x 2 1/4" thick

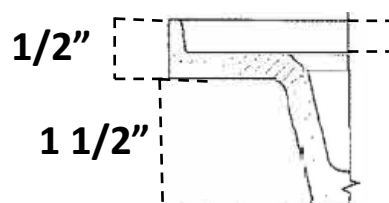
Water dam, sides and back: 1/2" tall x 1/4" thick

Overall height including water dam: 2"

Drain diameter: 3 1/2"



Water dam on sides and back



October 2024

Specifications

1053-08: 48" x 36" Low Profile Walk-In Shower Pan

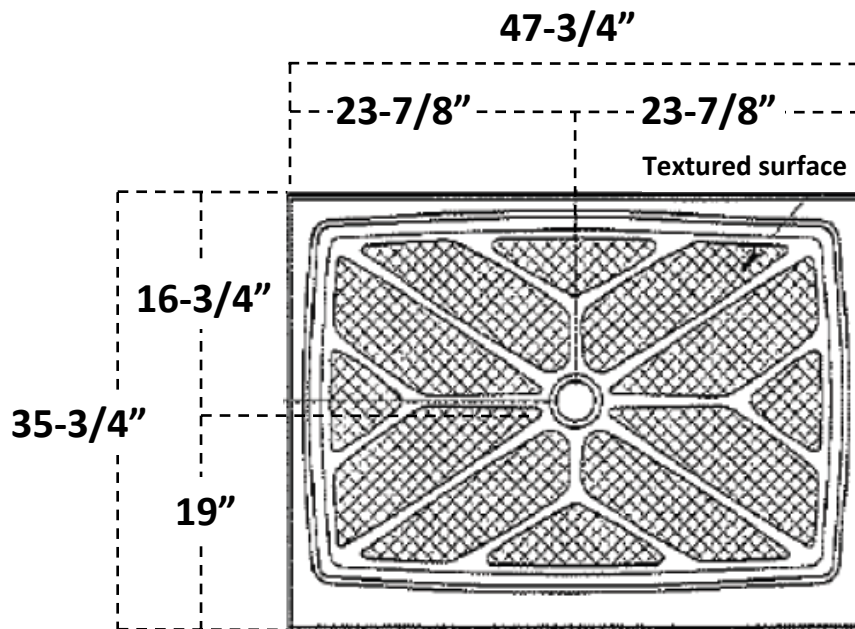
Threshold: 1-1/2" tall x 2-1/4" thick

Water dam, sides and back: 1/2" tall x 1/4" thick

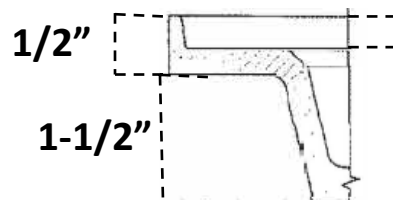
Overall height including water dam: 2"

Drain diameter: 3 1/2"

Top view



Water dam on sides and back



October 2024

Specifications

1053-10: 60" x 36" Low Profile Walk-In Shower Pan

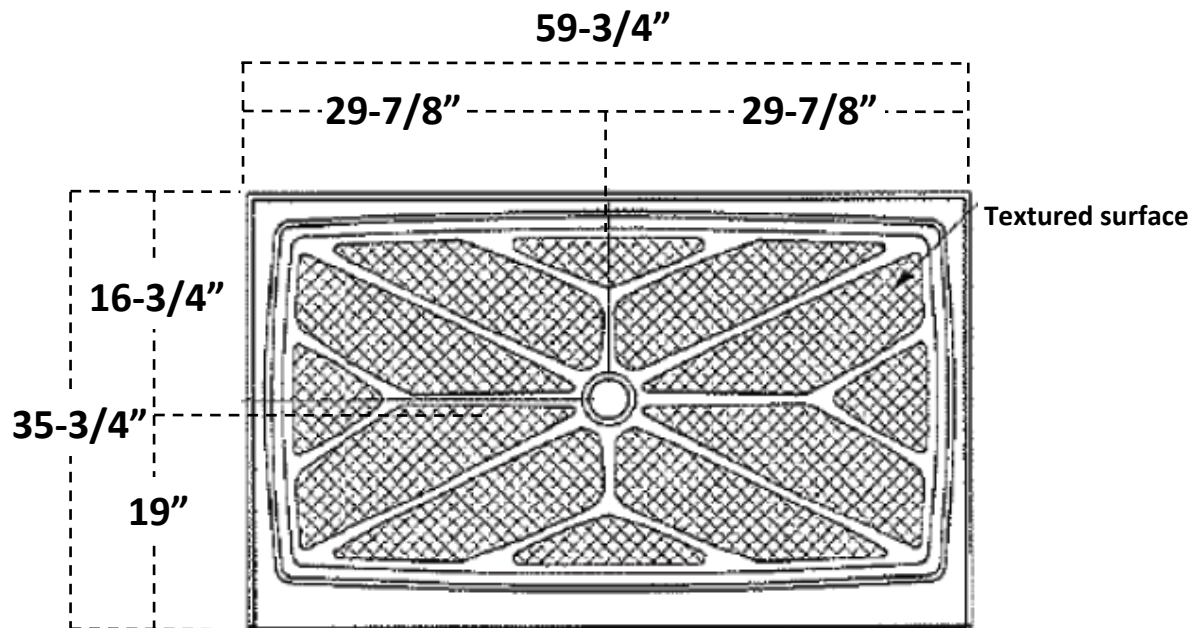
Threshold: 1-1/2" tall x 2-1/4" thick

Water dam, sides and back: 1/2" tall x 1/4" thick

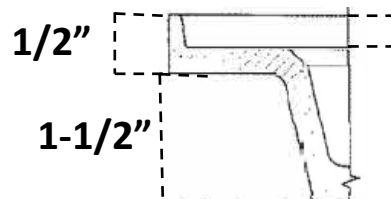
Overall height including water dam: 2"

Drain diameter: 3 1/2"

Top view



Water dam on sides and back



Specifications

1053-LH: 60" x 32" Low Profile Walk-In Shower Pan Left Hand Drain

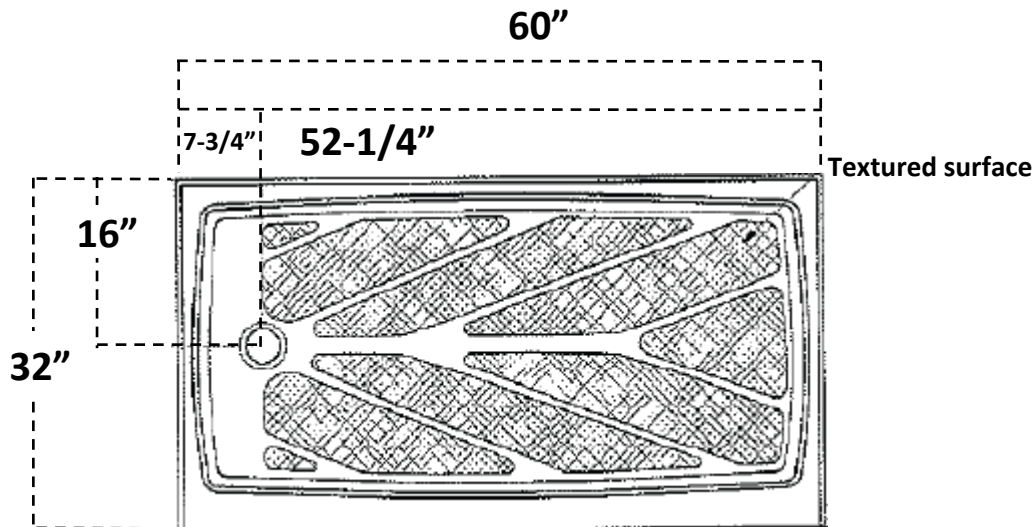
Threshold: 1-1/2" tall x 2-1/4" thick

Water dam, sides and back: 1/2" tall x 1/4" thick

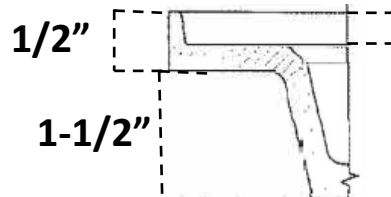
Overall height including water dam: 2"

Drain diameter: 3"

Top view



Water dam on sides and back



October 2024

Specifications

1053-RH: 60" x 32" Low Profile Walk-In Shower Pan Right Hand Drain

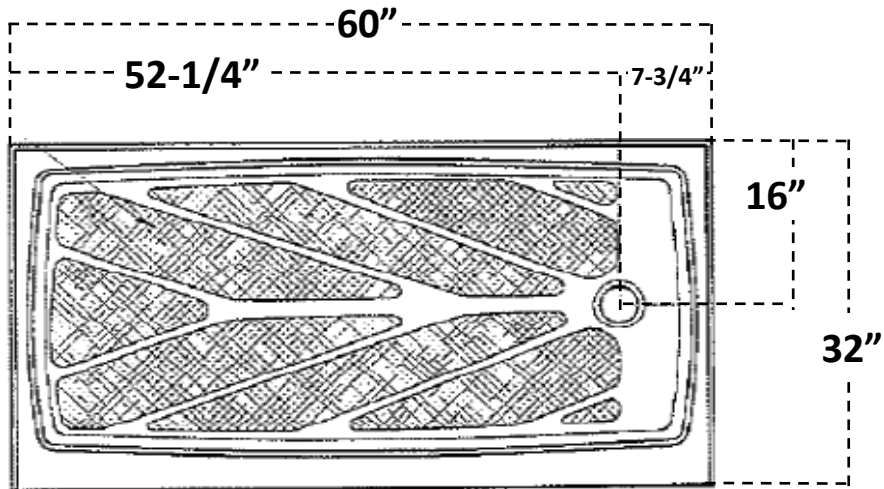
Threshold: 1-1/2" tall x 2-1/4" thick

Water dam, sides and back: 1/2" tall x 1/4" thick

Overall height including water dam: 2"

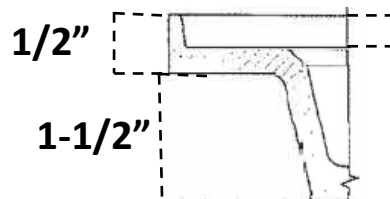
Drain diameter: 3"

Top view



Textured surface

Water dam on sides and back



October 2024

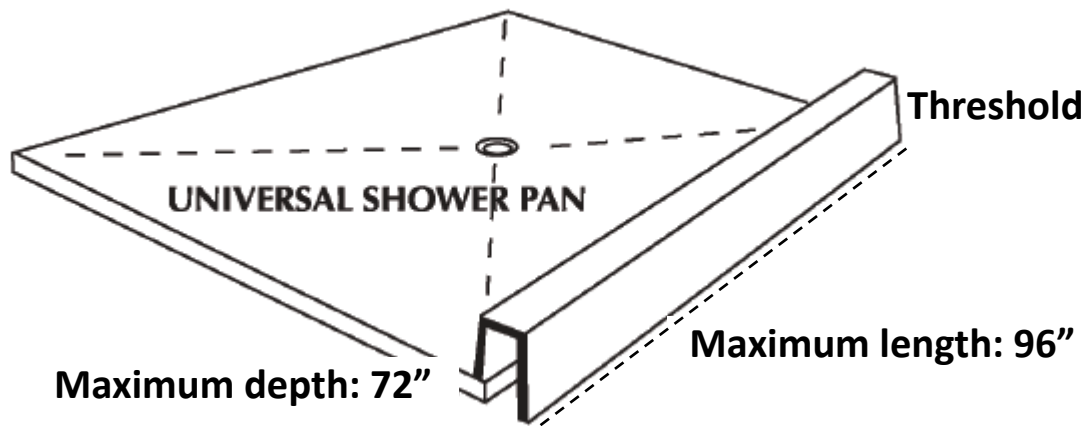


Universal pan and thresholds

October 2024

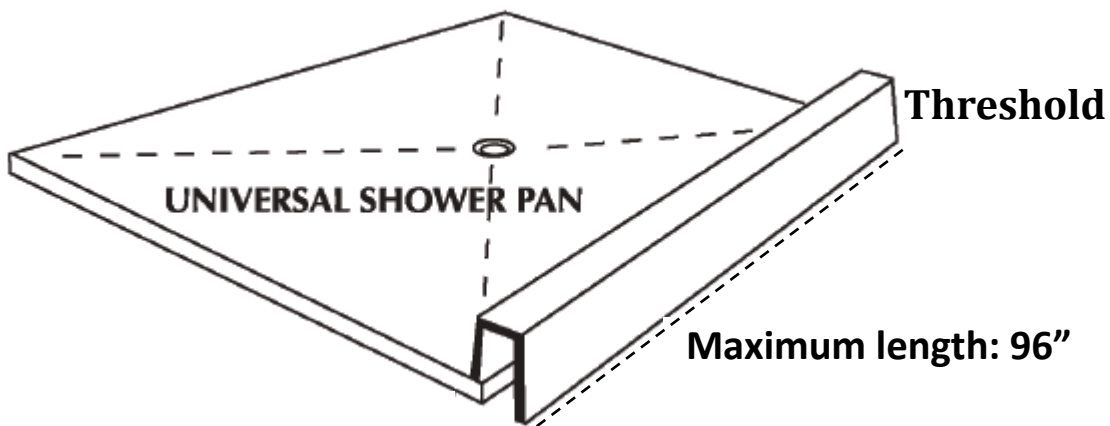
Specifications

Universal Shower Pan

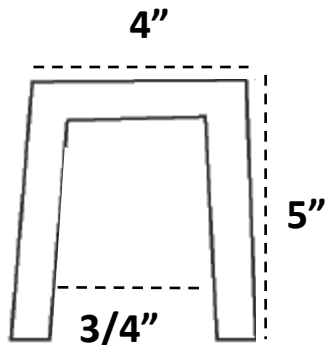


Specifications

Universal Shower Threshold for use with Universal Shower Pan



End view of threshold

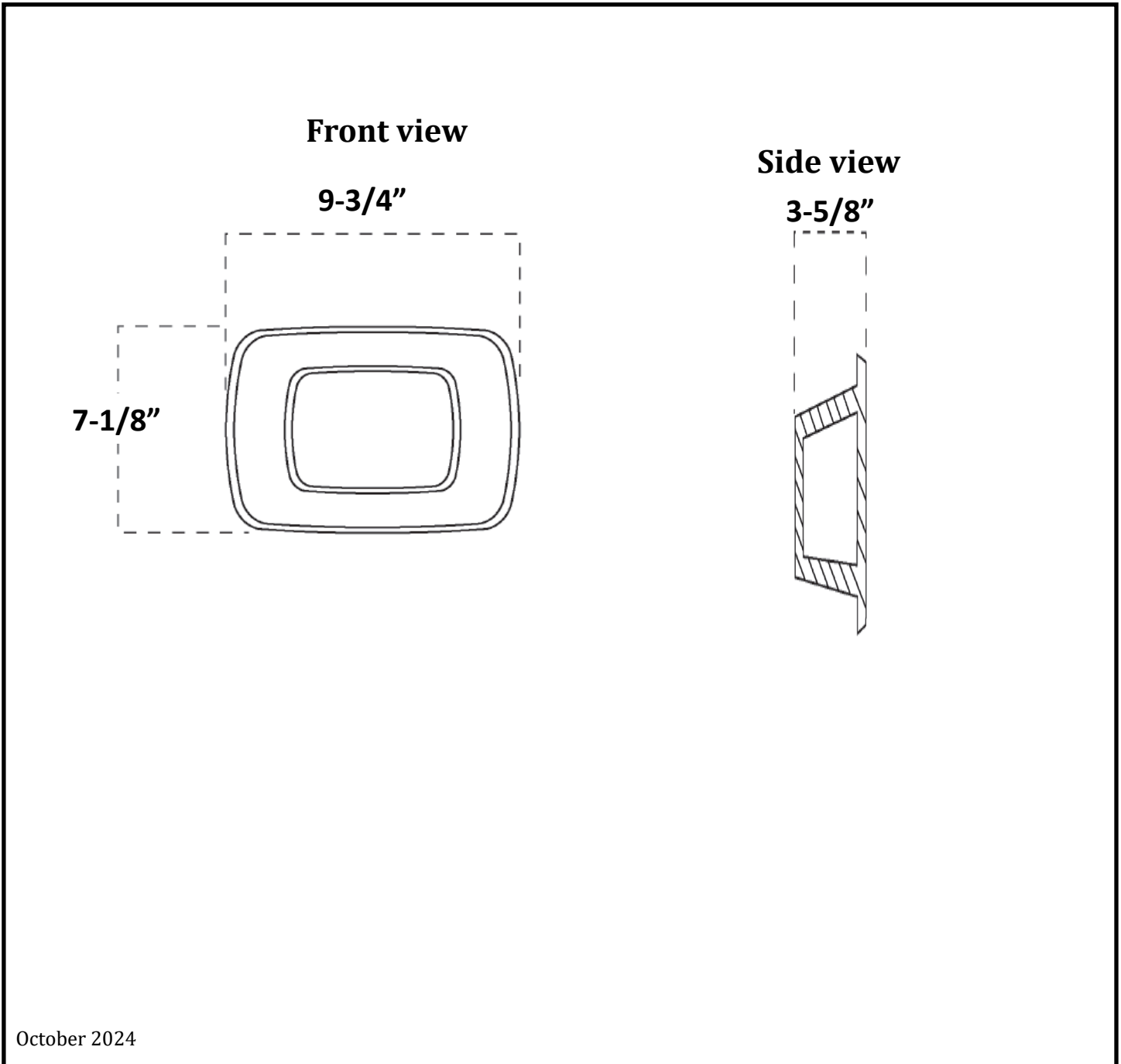




Shower Accessories

Specifications

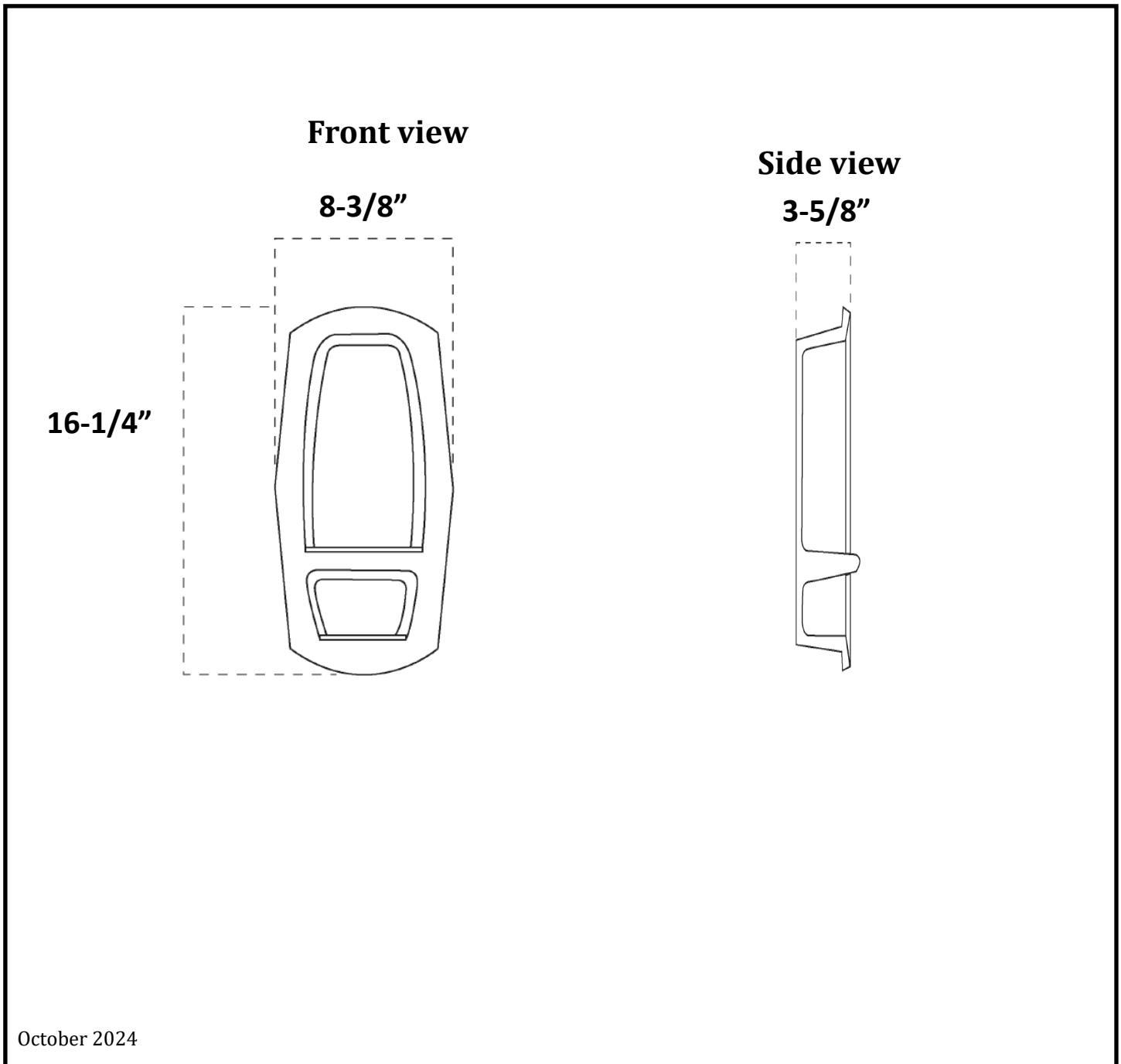
Recessed Small Diamond Shower Caddy



October 2024

Specifications

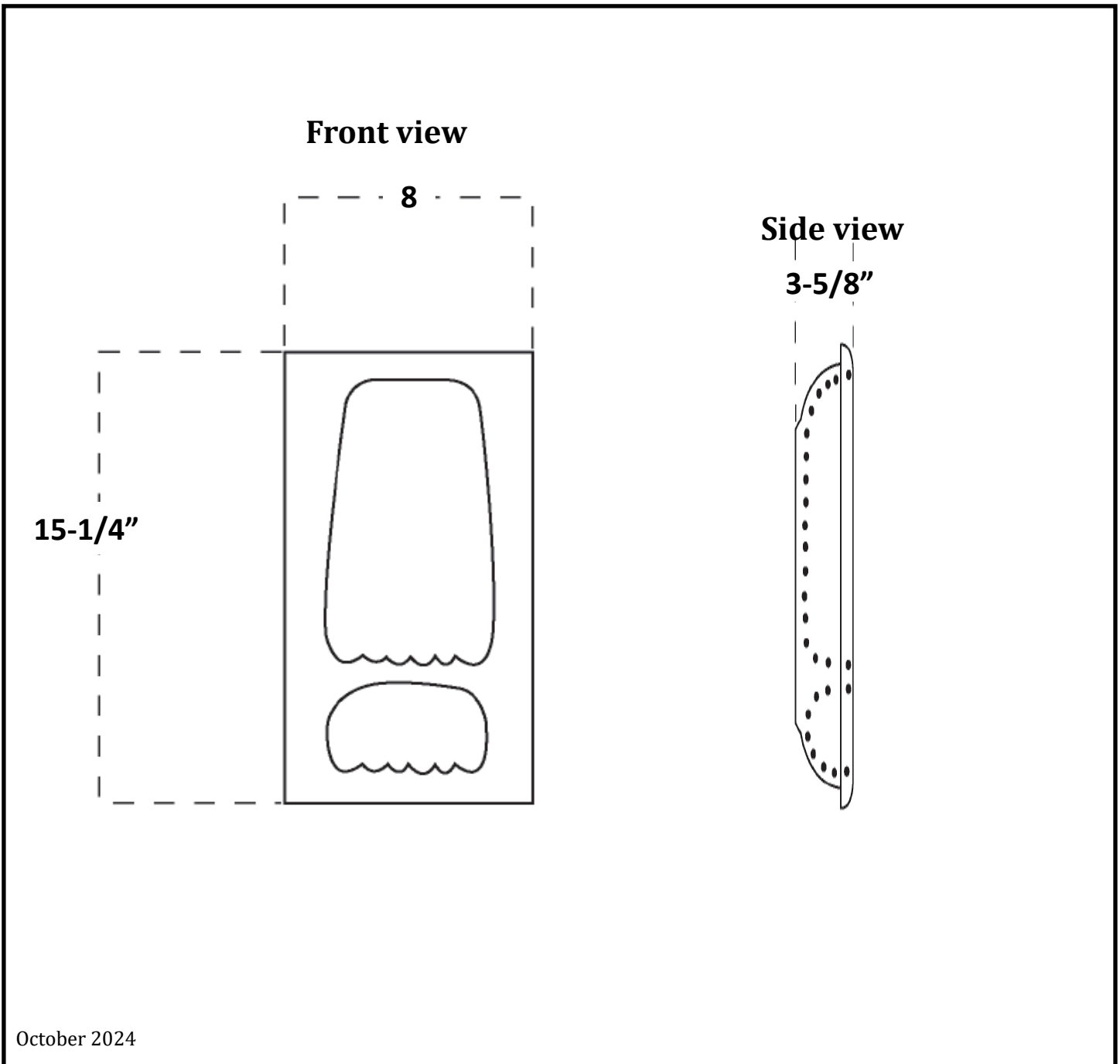
Recessed Medium Diamond Shower Caddy



October 2024

Specifications

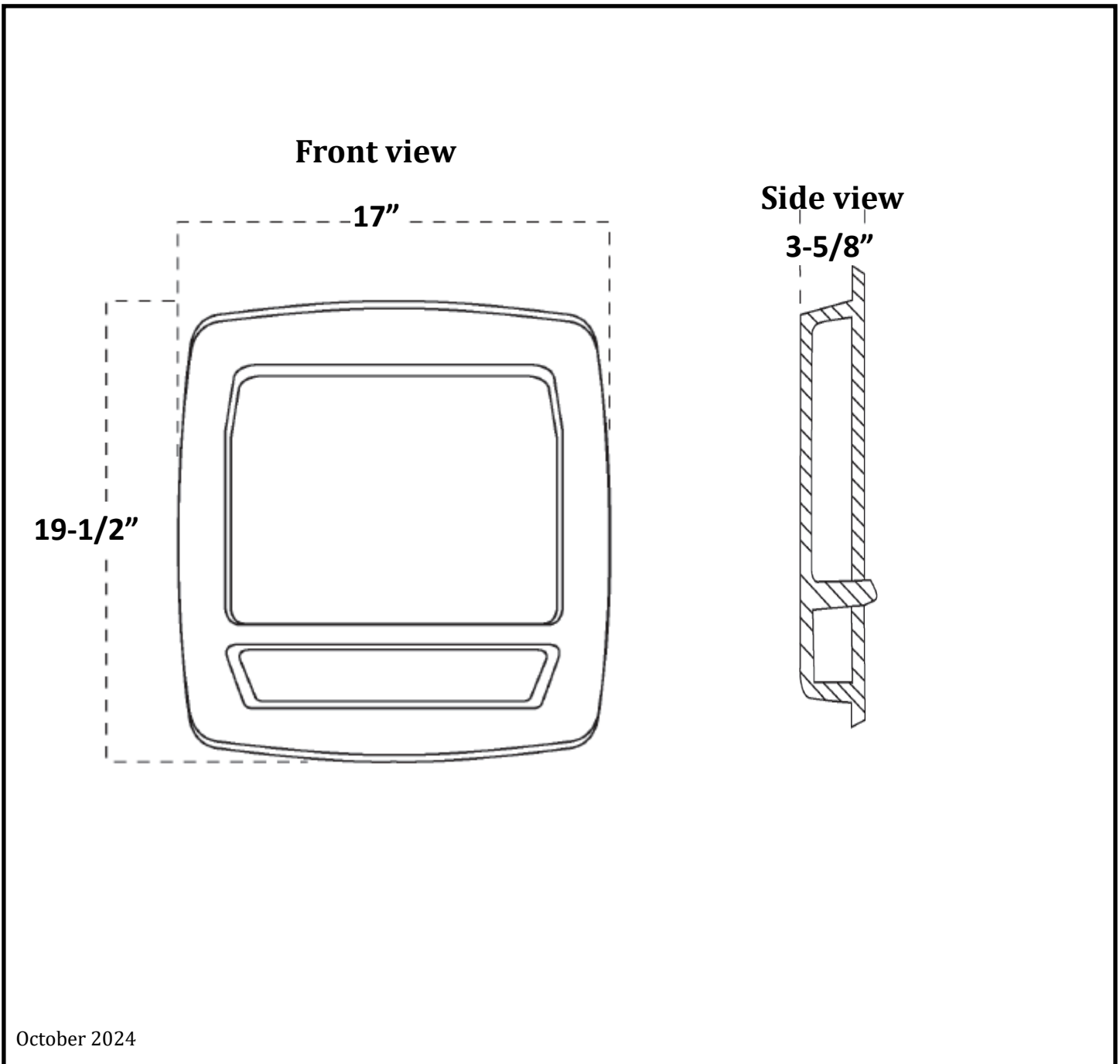
Recessed Medium Sweetheart Shower Caddy



October 2024

Specifications

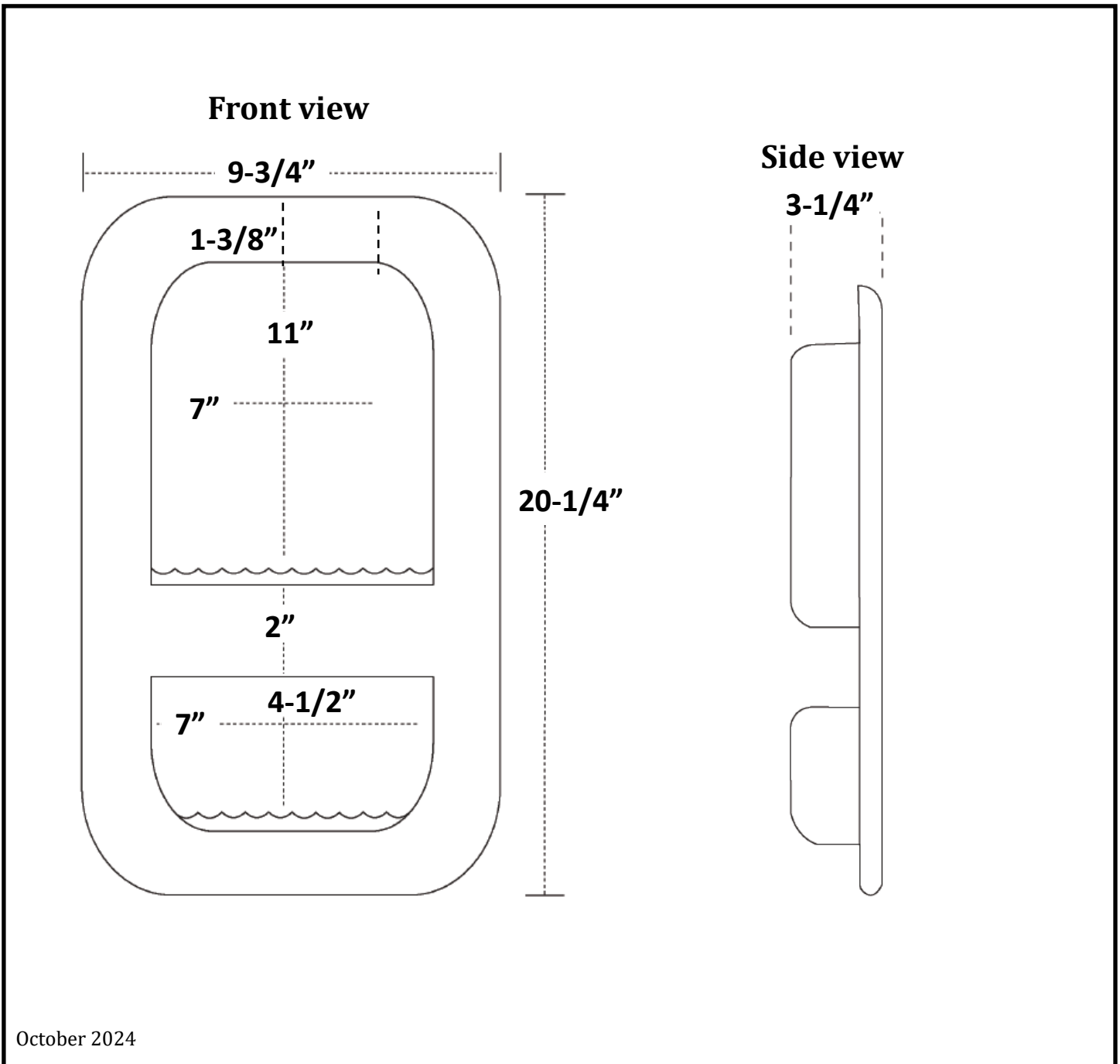
Recessed Large Diamond Shower Caddy



October 2024

Specifications

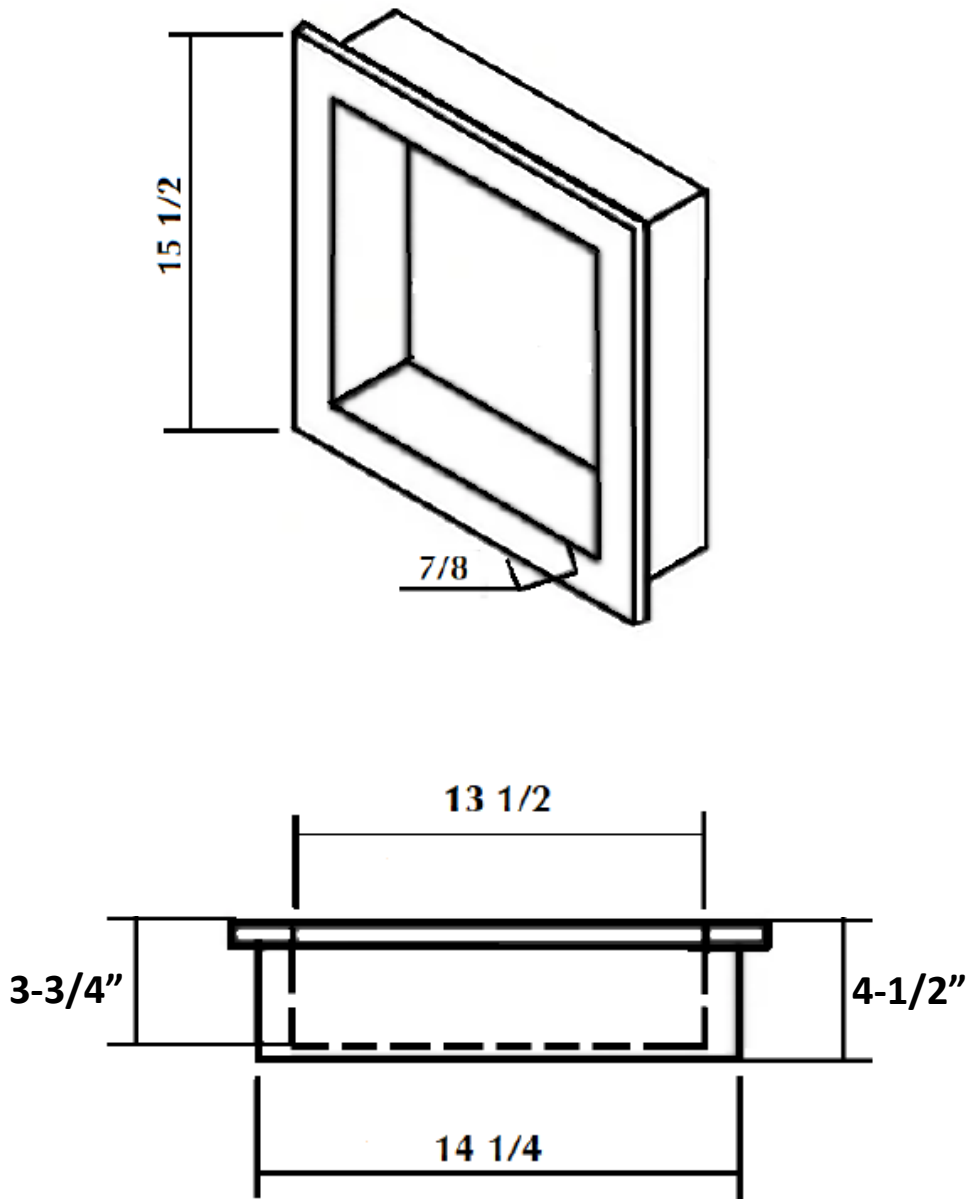
Recessed Deluxe Shower Caddy



October 2024

Specifications

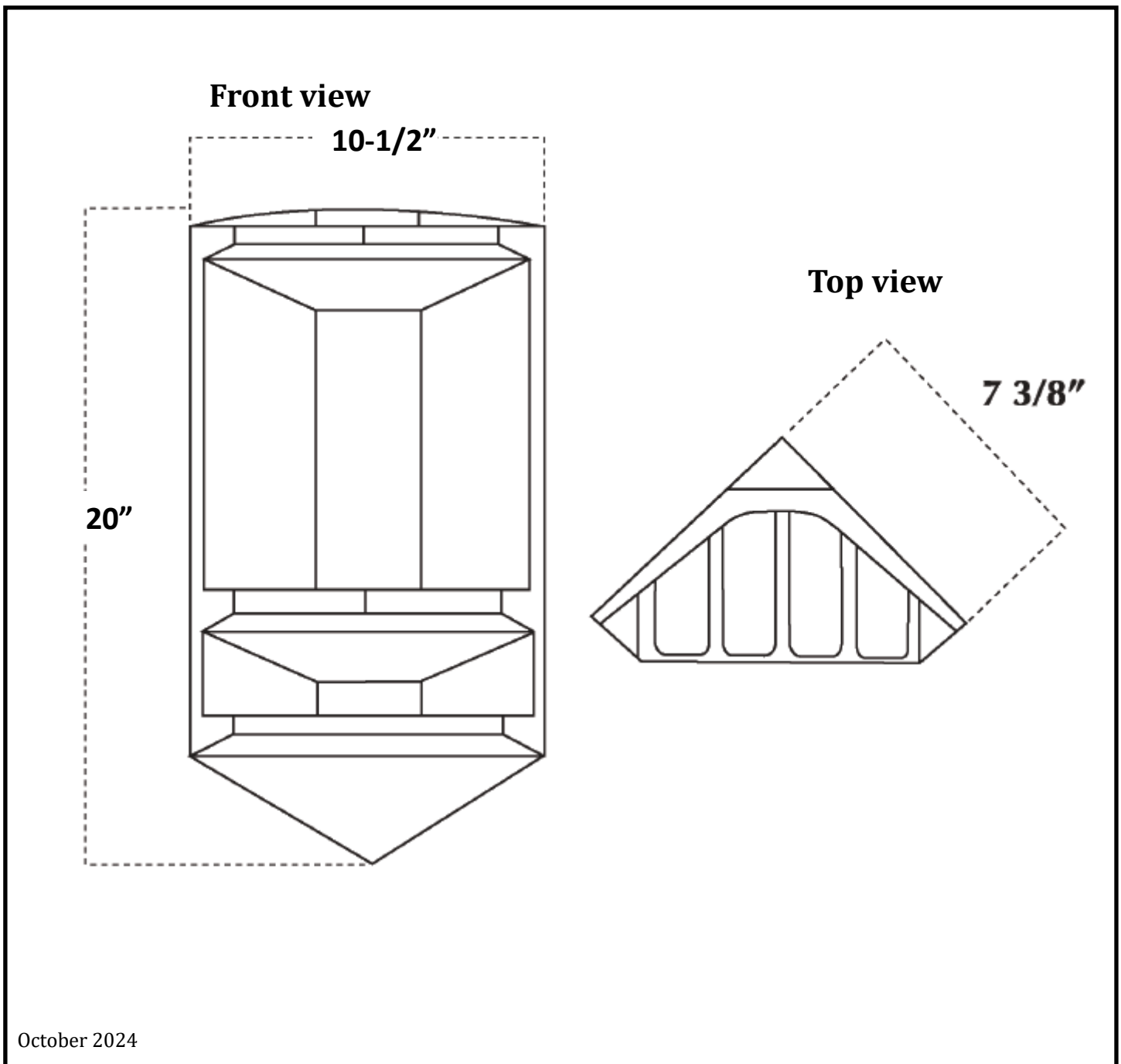
Recessed Square Niche Caddy



October 2024

Specifications

Surface Mount Soap/Shampoo Holder Corner Shower Caddy

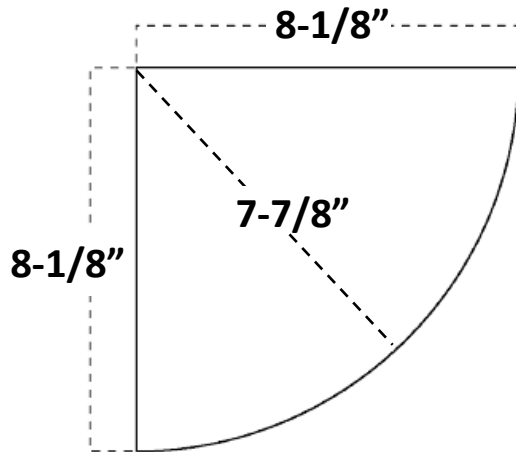


October 2024

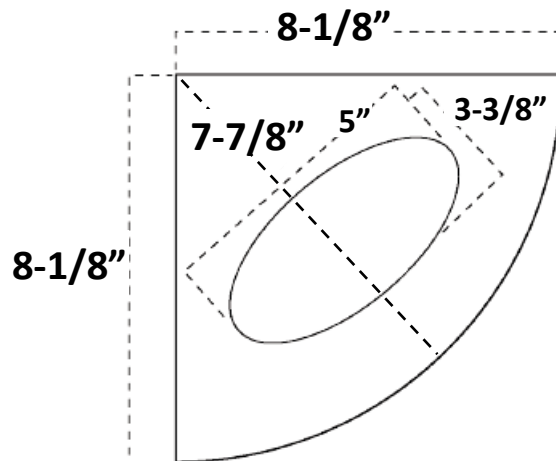
Specifications

Surface Mount Corner Shelf with or without Soap Depression

No Soap Depression



With Soap Depression



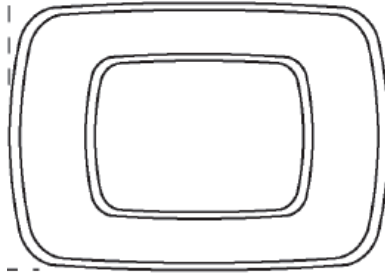
Shelves are 3/4" thick

Specifications

Shower Caddy Size Comparison*

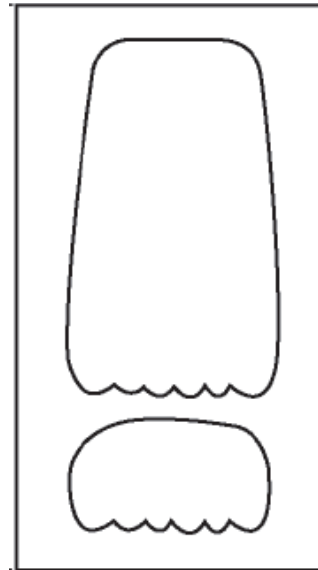
Recessed Small Diamond

7-1/8" x 9-3/4"



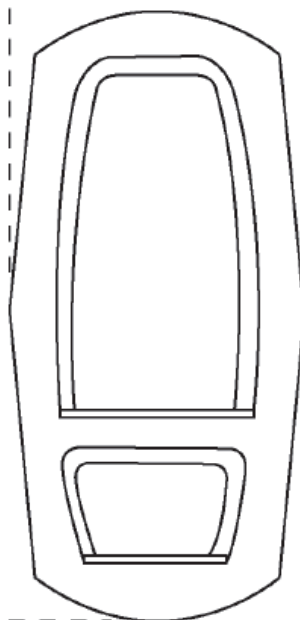
Recessed Medium Sweetheart

15-1/4" x 8"



Recessed Medium Diamond

16-1/4" x 8-3/8"

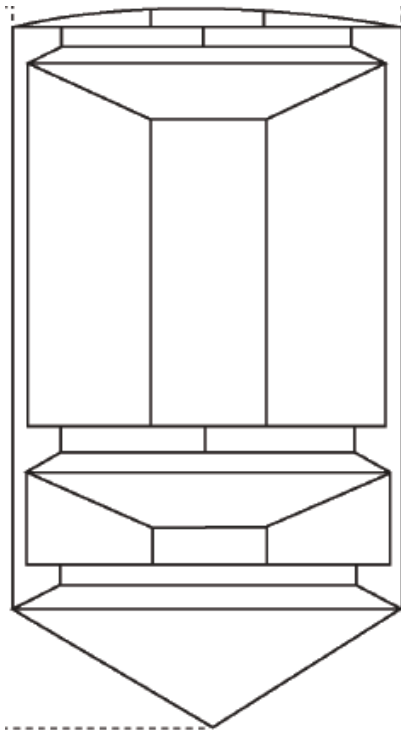


Specifications

Shower Caddy Size Comparison* (continued)

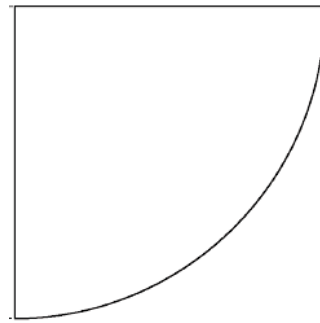
**Surface Mount Corner
Soap/Shampoo Holder**

20" x 10-1/2"



Corner Soap Dish

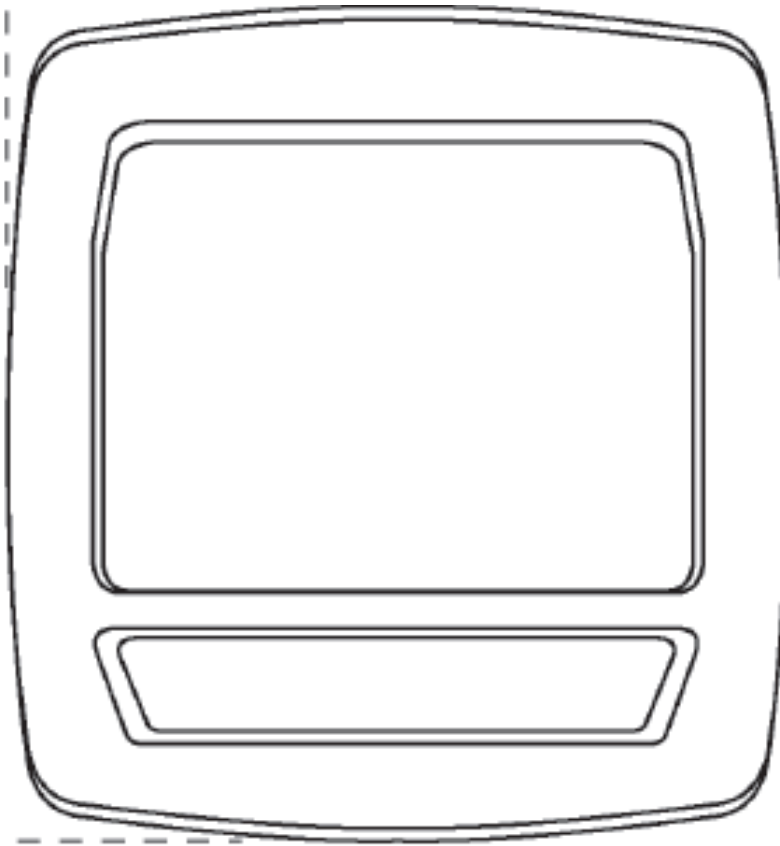
8-1/8" x 8-1/8"



Specifications

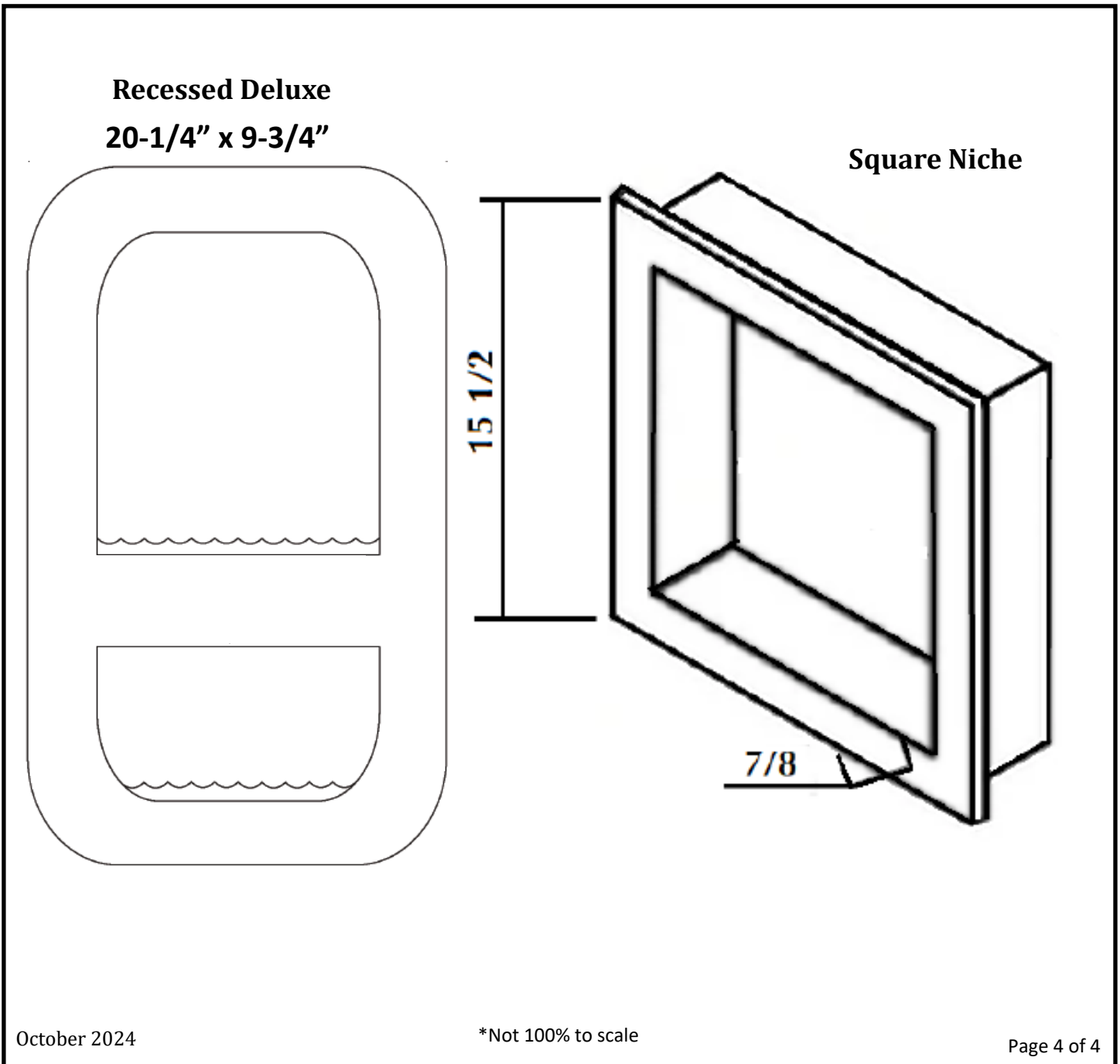
Shower Caddy Size Comparison* (continued)

Recessed Large Diamond
19-1/2" x 17"



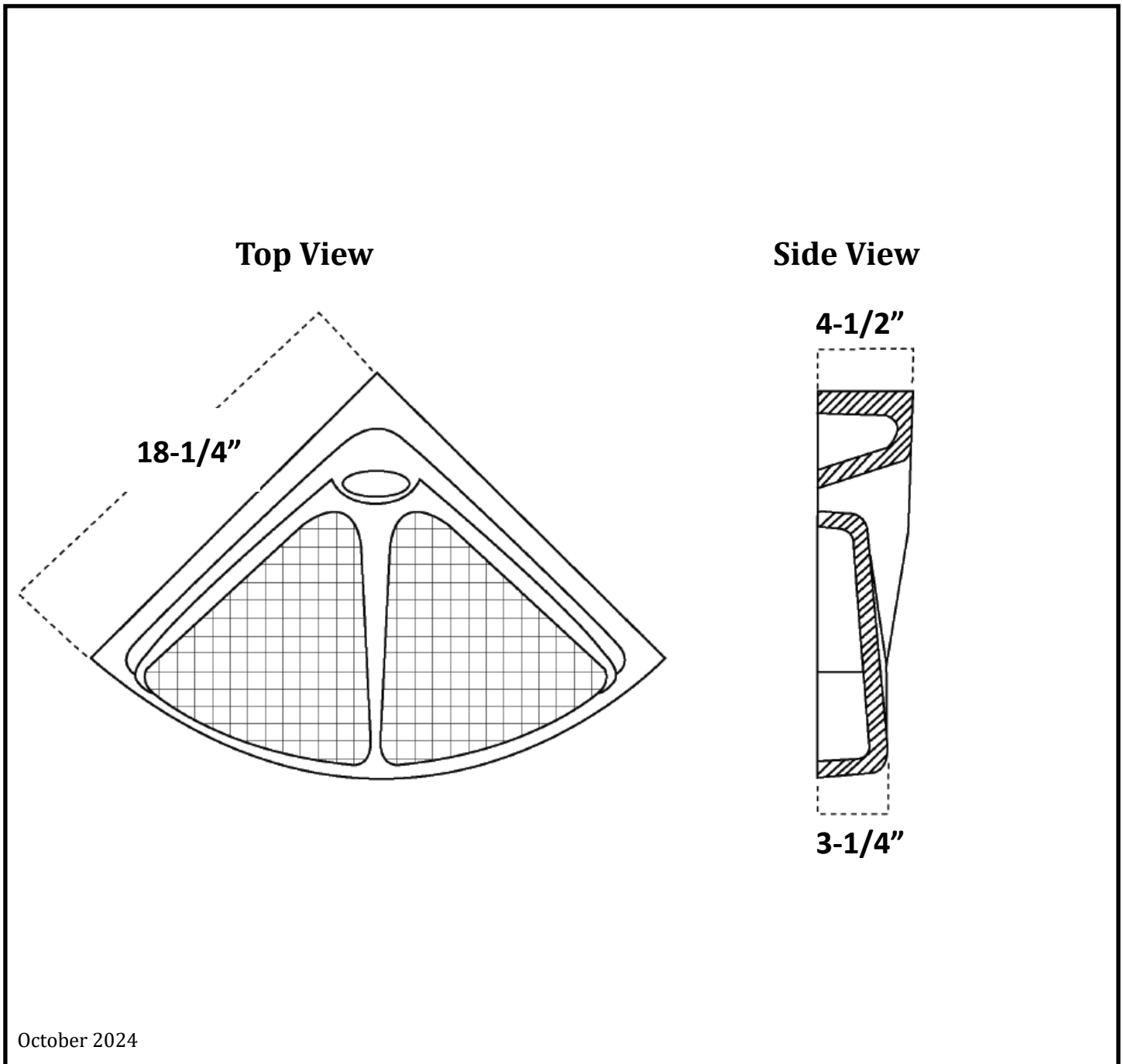
Specifications

Shower Caddy Size Comparison* (continued)



Specifications

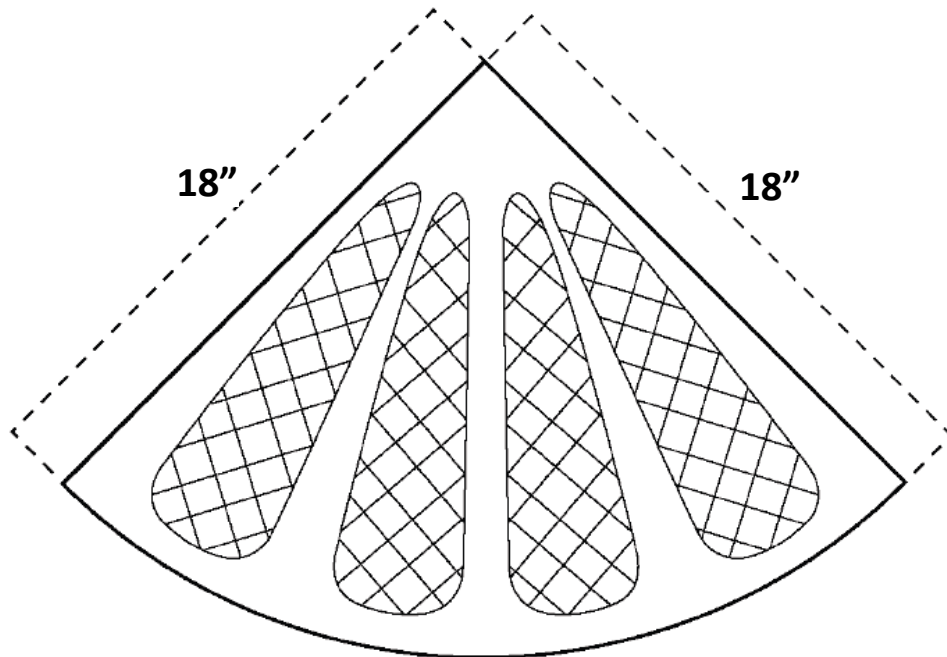
Corner Shower Seat with Flange



October 2024

Specifications

Corner Shower Seat B

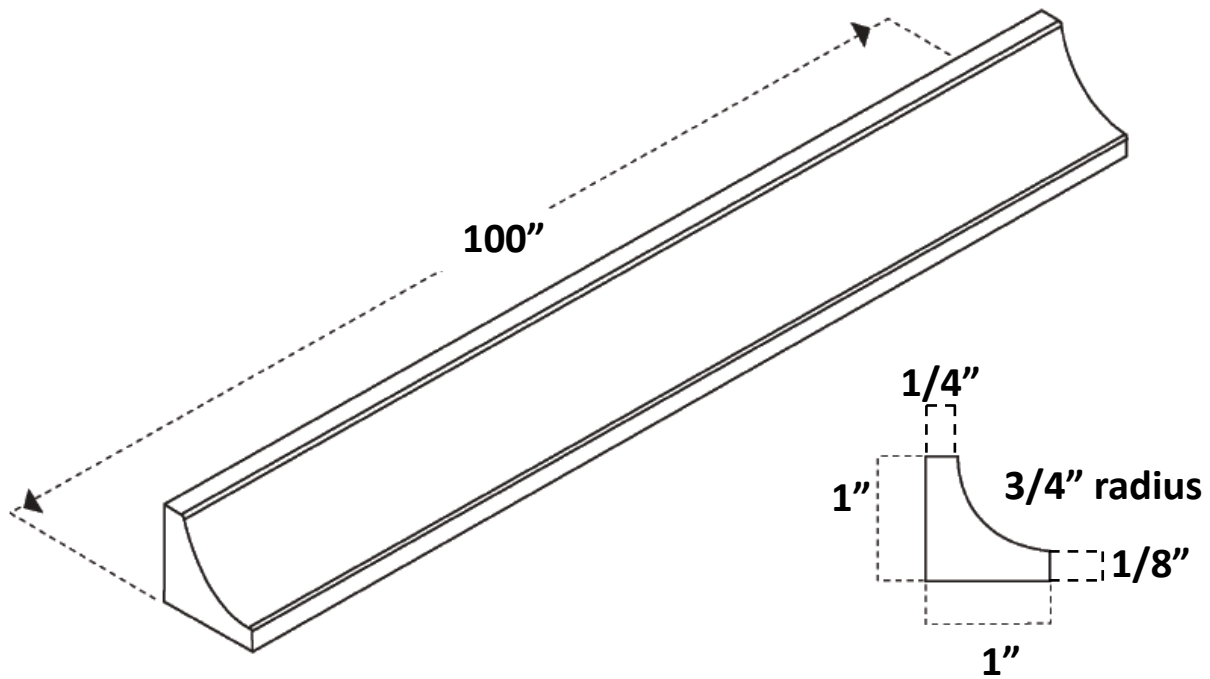




Shower Moldings and Accents

Specifications

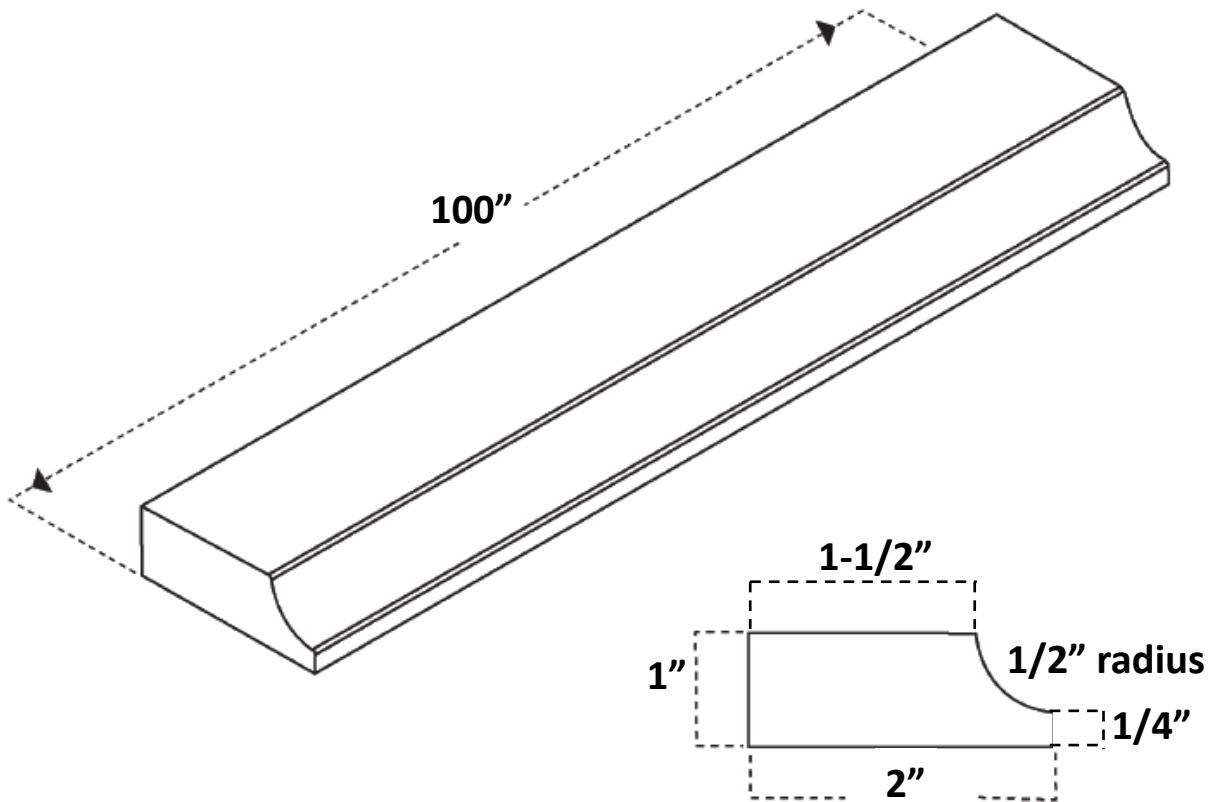
Inside Corner Molding



October 2024

Specifications

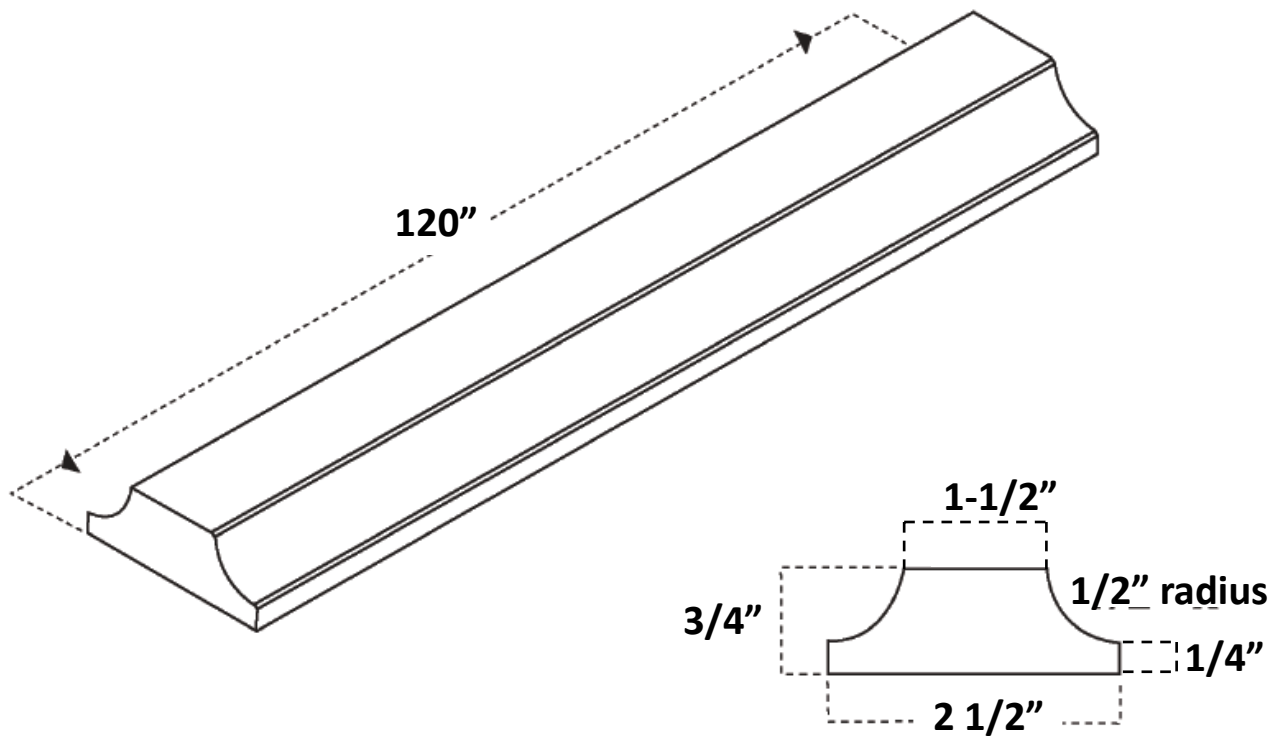
Single Edge Molding



October 2024

Specifications

Batten Strip Molding

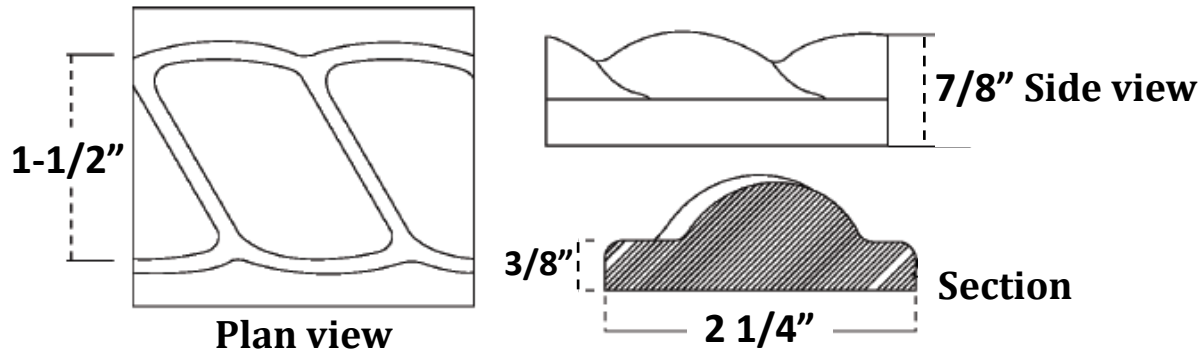


October 2024

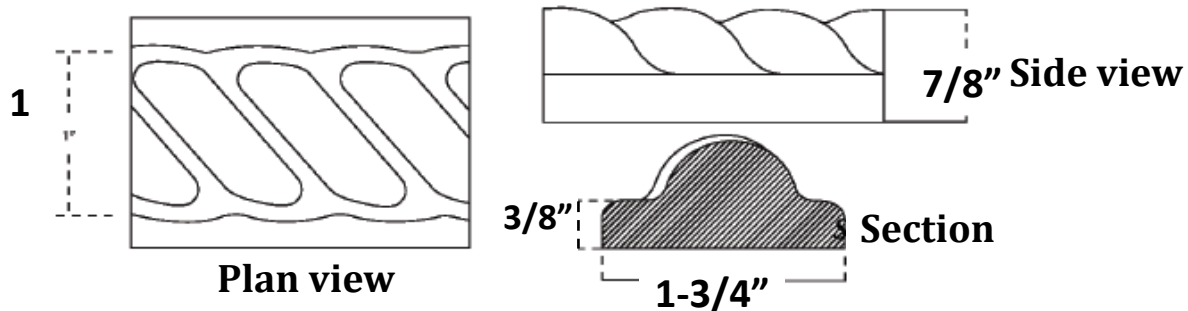
Specifications

Rope Molding

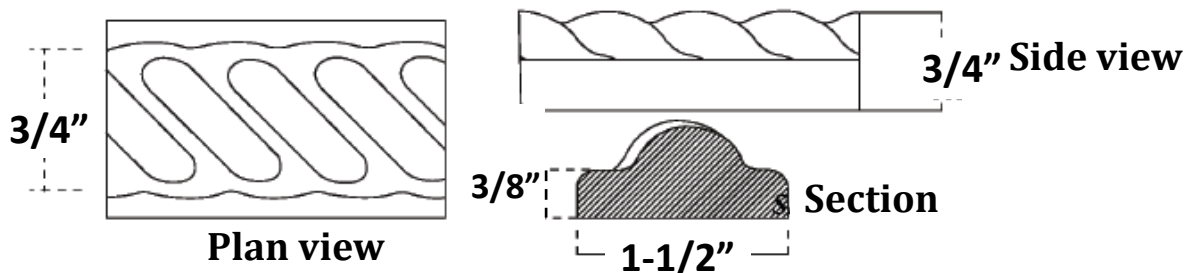
Item code: TRM-RP-A / Style A / 2-1/4" x 96"



Item code: TRM-RP-B / Style B / 1-3/4" x 96"



Item code: TRM-RP-C / Style C / 1-1/2" x 96"



Cultured Marble and Cultured Granite Care and Maintenance

Cleaning:

Cultured Marble and Cultured Onyx provide extremely durable, nonporous surfaces which resist staining. Routine cleaning with a soft sponge or cloth, or a nonabrasive aerosol foam cleaner, is all that is normally needed to give many years of trouble-free services. Products such as “Soft Scrub” or “Comet” are not recommended, as they tend to reduce the shine of the gel coat, and leave small scratches.

Polishing:

To maintain luster and make cleaning easier, periodic applications of paste wax or products like “Gel Gloss” may be applied. Take care in using a clean, soft cloth for both applying the wax and polishing the top. “Gel Gloss” can be purchased at home centers and plumbing supply stores that sell cultured marble.

Removing Scratches:

Mild abrasives such as automotive polishing compound, or baking soda, will remove simple scratches and stains. After using a polishing compound, if the scratches are still visible, try using 600 grit wet/dry sand paper, lightly rubbing at the area. To sand as flat as possible, try using a small block of wood with the sand paper around it, this prevents from putting any type of indentation in the surface by using your hands, and allows for more even sanding. At Virginia Marble we use air powered disc sanders and orbital buffers for the volume of sanding and buffing that we do. A soft terry cloth will work just as well.

Cutting or Drilling:

Masonry blades are recommended for cutting tops or panels made of cultured marble. Always cut from the rough or unfinished side of the marble. Once the material has been cut, the edge cannot be refinished, so work with an edge that will be concealed on the finished product. Drilling requires the same steps as cutting.

Cultured Marble and Cultured Granite Care and Maintenance (continued)

Gel Coat Repair Kit:

Virginia Marble is willing to provide a gel coat repair kit to any customer that will include instructions and the products needed. If you should chip the gel coat surface, this can be fixed with little effort. However, a chip that goes beyond the surface of the gel coat and into the matrix of the top will be a larger repair. The repair kit is specifically for patching the gel coat; other materials will be needed to repair a deeper chip and should be done professionally.



Cultured Marble and Cultured Granite Warranty

Seller warrants to its immediate purchasers that all new products supplied by seller are free from defects in workmanship and materials used in manufacturing of the same, when installed and used in accordance with seller's recommended procedures. Seller's obligation under this warranty is limited to repairing or replacing, as seller may elect, any product sold by seller which shall be returned to seller's place of business, with transportation charges prepaid, and as to which examination shall disclose to seller's satisfaction to have been thus defective, provided that such products shall be so returned no later than thirty-six (36) months from seller's shipment of same to purchaser. Such defective product shall be repaired or replaced at seller's place of business.

The seller will not provide, or pay the cost of removal of defective products, installations or repaired or replaced products, or third-party transportation of either repaired, replaced or defective products. The warranty must provide any pay for such items.

This warranty shall not apply, and seller have no liability with respect (1) to the removal or reinstallation of warranted products; (2) to any product installed or used in any way so as to have affected adversely such product; (3) damages to products while in transit after leaving seller's place of business; (4) cracks or chips in surface unless caused by defects in workmanship or material; (5) slight imperfections, warpage and shade variation in products; or (6) any transportation or cartage charges.

Close inspection of synthetic marble may reveal minor surface irregularities and warpage, color variation, small particles of foreign matter and other conditions commonly encountered with products of nature such as stone, marble, granite, etc.

This warranty is in lieu of all warranties, express or implied, including but without limitation, war-

Cultured Marble and Cultured Granite Standard Repair Procedure

For repairing minor chips, gouges, and surface scratches, use the materials supplied in your repair kit and proceed as follows.

1. If repairing a chip or deep scratch where matrix is exposed, use a Dremel tool or like product to smooth down rough or sharp edges and to smooth surface of aggregate in the chip.
2. Mix a small amount of gel coat (approximately ½" deep in a 6oz. Dixie cup) and add 4-8 drops of hardener. Warm temperature >68 degrees 4 drops, Cool temperature <68 degrees 4-8 drops.
3. Fill damaged area with gel coat (adding white pigment provided if necessary, to match color) until application of gel coat is slightly higher than the surrounding surface. For granite repairs, always specify color and use same procedures.
4. While gel coat is still wet, place a piece of wax paper over the area of repair and very lightly press into gel coat, making sure the area of repair is still slightly higher than surrounding surface. Note: Wax paper should be just about 1 ½ times the size of the repair. Be careful not to trap air pockets when applying wax paper.
5. After curing of gel coat in repaired area (about 10-12 hours) carefully wet-sand the repaired area using a sanding block and #400 grit paper until almost flush with the surrounding surface.
6. Change to #600 grit paper and wet-sand the repaired area until it is flush with the surrounding surface.
7. Change to #1200 grit paper and wet-sand the repaired area until it is perfectly smooth.
8. Use buffing compound and a clean cloth or towel to restore original sheen.

Notes: Light surface scratches can often be polished out with an electric buffer. Use clean water each time you wet-sand, use a sanding block on flat surfaces, electric buffer may be used in final polishing, but be careful not to build up excessive heat as it can burn the surface of the top.

Repair Kit Contains: Clear Gel Coat, Hardener, Color, Polishing Compound, Tongue Depressors.

October 2024