



**VIRGINIAMARBLE**  
M A N U F A C T U R E R S , I N C

# **Product Information and Specifications**

## **Shower Products and Accessories**

## Table of Contents

Information needed when placing an order	5
<b>Colors and Materials</b>	<b>7</b>
Cultured Marble	8
Cultured Granite	9
<b>Shower Panels</b>	<b>10</b>
<b>Rectangular and Square Shower Pans</b>	<b>13</b>
1050-06: 60x32 End Drain Replacement Pan	14
1050-06W: 60x32 End Drain Replacement Pan with Water Dam	14
1051-26: 60x32 Shower Pan with Center Drain	15
1051-06: 36x36 Shower Pan with Center Drain	16
1051-07: 42x36 Shower Pan with Center Drain	17
1051-08: 48x36 Shower Pan with Center Drain	18
1051-10: 60x36 Shower Pan with Center Drain	19
1051-03: 36x42 Shower Pan with Center Drain	20
1051-05: 42x42 Shower Pan with Center Drain	21

1051-04: 48x42 Shower Pan with Center Drain	22
1051-12: 60x42 Shower Pan with Center Drain	23
1051-19: 48x48 Shower Pan with Center Drain	24
<b>Neo Angle Shower Pans</b>	<b>26</b>
36" Neo Angle Corner Shower Pan	27
38" Neo Angle Corner Shower Pan	28
42" Neo Angle Corner Shower Pan	29
48" Neo Angle Corner Shower Pan	30
<b>Low Profile and Walk-in Shower Pans</b>	<b>32</b>
1053-06: 36" x 36" Low Profile	33
1053-07: 42" x 36" Low Profile	34
1053-08: 48" x 36" Low Profile	35
1053-10: 60" x 36" Low Profile	36
1053-LH: 60" x 32" Low Profile	37
1053-RH: 60" x 32" Low Profile	38

## Table of Contents

<b>Universal pan and thresholds</b>	<b>40</b>
Universal Shower Pan	41
Universal Shower Threshold for use with Universal Shower Pan	42
Ramp/Handicap Threshold for use with Low Profile Shower Pans	43
<b>Shower Accessories</b>	<b>44</b>
Recessed Small Diamond Shower Caddy	45
Recessed Medium Diamond Shower Caddy	46
Recessed Large Diamond Shower Caddy	47
Recessed Medium Sweetheart Shower Caddy	48
Recessed Deluxe Shower Caddy	49
Recessed Square Niche Caddy	50
Surface Mount Soap/Shampoo Holder Corner Shower Caddy	51
Surface Mount Corner Shelf with or without Soap Depression	52
Shower Caddy Size Comparison	53
Corner Shower Seat with Flange	57
Corner Shower Seat B	58

<b>Molding</b>	<b>60</b>
Inside Corner Molding	61
Single Edge Molding	62
Batten Strip Molding	63
Rope Molding	64
<b>Cultured Marble and Cultured Granite Care and Maintenance</b>	<b>66</b>
<b>Cultured Marble and Cultured Granite Warranty</b>	<b>68</b>
<b>Cultured Marble and Cultured Granite Standard Repair Procedure</b>	<b>69</b>
<b>Order Forms</b>	<b>70</b>



## Information needed when placing a shower order

### Quantity

**Description:** text description of item being ordered and /or any details not included in the order form fields.

**Color\*:** Virginia Marble code and/or color name

**Pans and Accessories:** Item code and/or product name

### Panels

- Panel type: smooth, subway, tile pattern A
- Height
- Width

**Universal Shower Pans** (diagram/drawing may be required)

- Length, width, and drain placement.
- Water dam location, if applicable
- Threshold type, size, and location

\*see Colors and Materials on following pages.

Fillable order form with diagrams is provided on for your convenience on our website.

October 2024





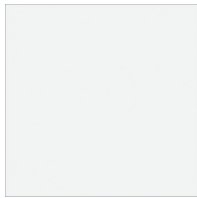
## **Colors and Material**

October 2024

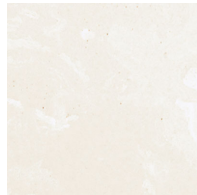
## Cultured Marble



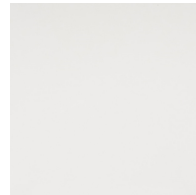
019: Natural  
Vein on White



031: Bright  
White



101: White  
Vein on White



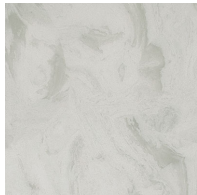
103: Solid  
White



117: Country  
Gray Vein on  
White



120: Classic  
Cream



122: Platinum  
Blend



517: Solid  
Kohler Biscuit

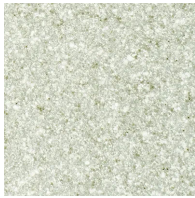
Colors available are subject to change. Call for availability.



## Cultured Granite



422:  
Cappuccino  
Granite



424: Shimmer  
Granite



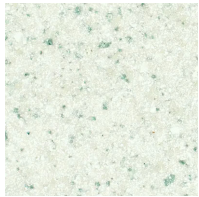
425: Oatmeal  
Granite



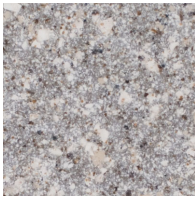
430: Millstone  
Granite



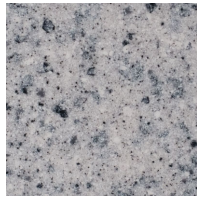
440: Desert  
Rock Granite



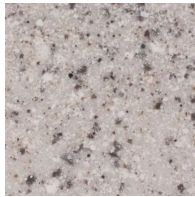
442: Frost  
Granite



446: Galaxy  
Granite



450: Alpine  
Granite



452: Adobe  
Granite

Matching granite color caulk is available for all cultured granite colors.

Colors available are subject to change. Call for availability.



## **Shower Panels**

## Shower Panel Options

Availability subject to change

### Cultured Marble (8)

019 Natural Vein on White	117 Country Gray Vein on White
031 Bright White	120 Classic Cream
101 White Vein on White	122 Platinum

*While the above colors are listed as standard colors for pricing purposes, not all items are stocked for immediate shipment.*

### Cultured Granite (9)

422 Cappuccino Granite	430 Millstone Granite	446 Galaxy Granite
424 Shimmer Granite	440 Desert Rock Granite	450 Alpine Granite
425 Oatmeal		452 Adobe

*All Cultured Granite colors are available for shower products.*

*Matching granite color caulk available for all granite colors.*

### 3/8" Smooth

Maximum height: 84"

Available Widths:

32" 36" 42" 48" 60"

### 3/8" Subway (3"x6")

Maximum height: 85"

Available Widths:

32" 36" 42" 48" 60"

### 3/8" Tile Pattern with 12"x12" Accent type A

Maximum height: 90"

Available Widths:

36" 42" 48" 60"

### 3/4" Flat stock/panels

Maximum height: 120"

Available Widths:

2-3/8" 3" 4" 5" 6" 7" 8" 11" 16" 19" 22" 25"





## **Rectangular and Square Shower Pans**

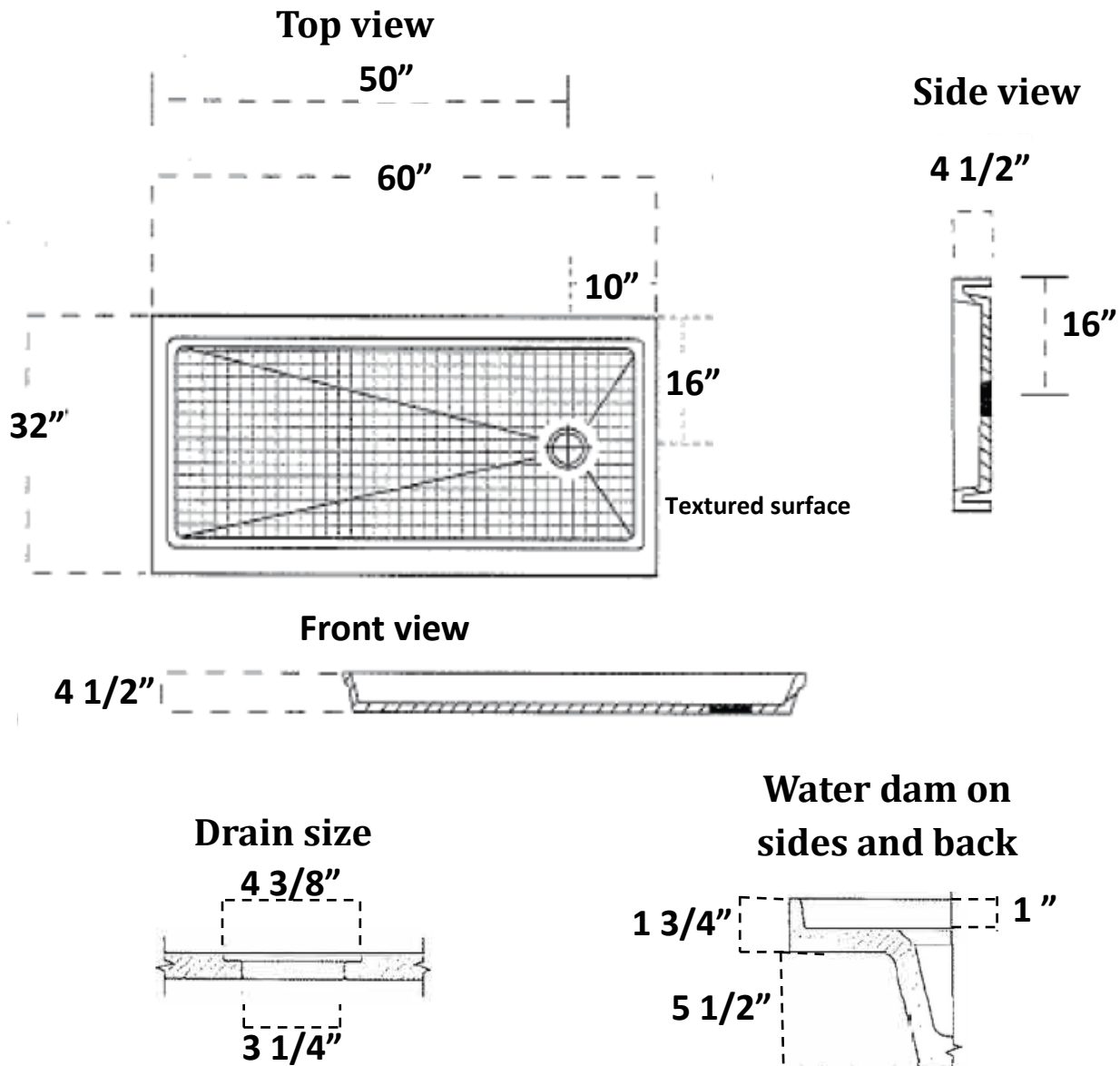
October 2024

## Specifications

### 1050-06: 60x32 End Drain Replacement Pan

### 1050-06W: 60x32 End Drain Replacement Pan with Water Dam

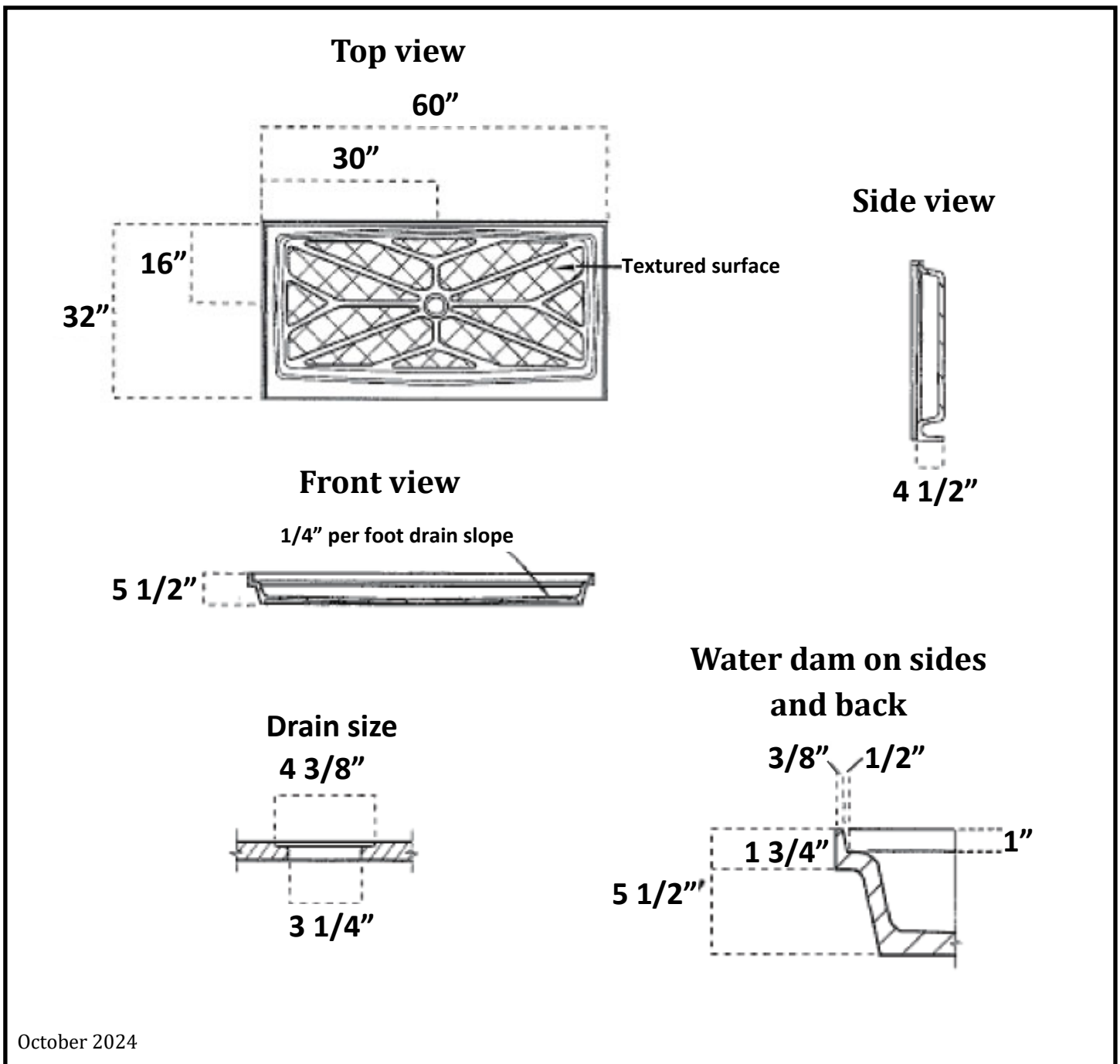
Fiberglass water dam is attached by Virginia Marble on 3 sides (32", 60", 32") to serve as tile flange. Water dam increases pan size by 1/4"-1/2".



October 2024

## Specifications

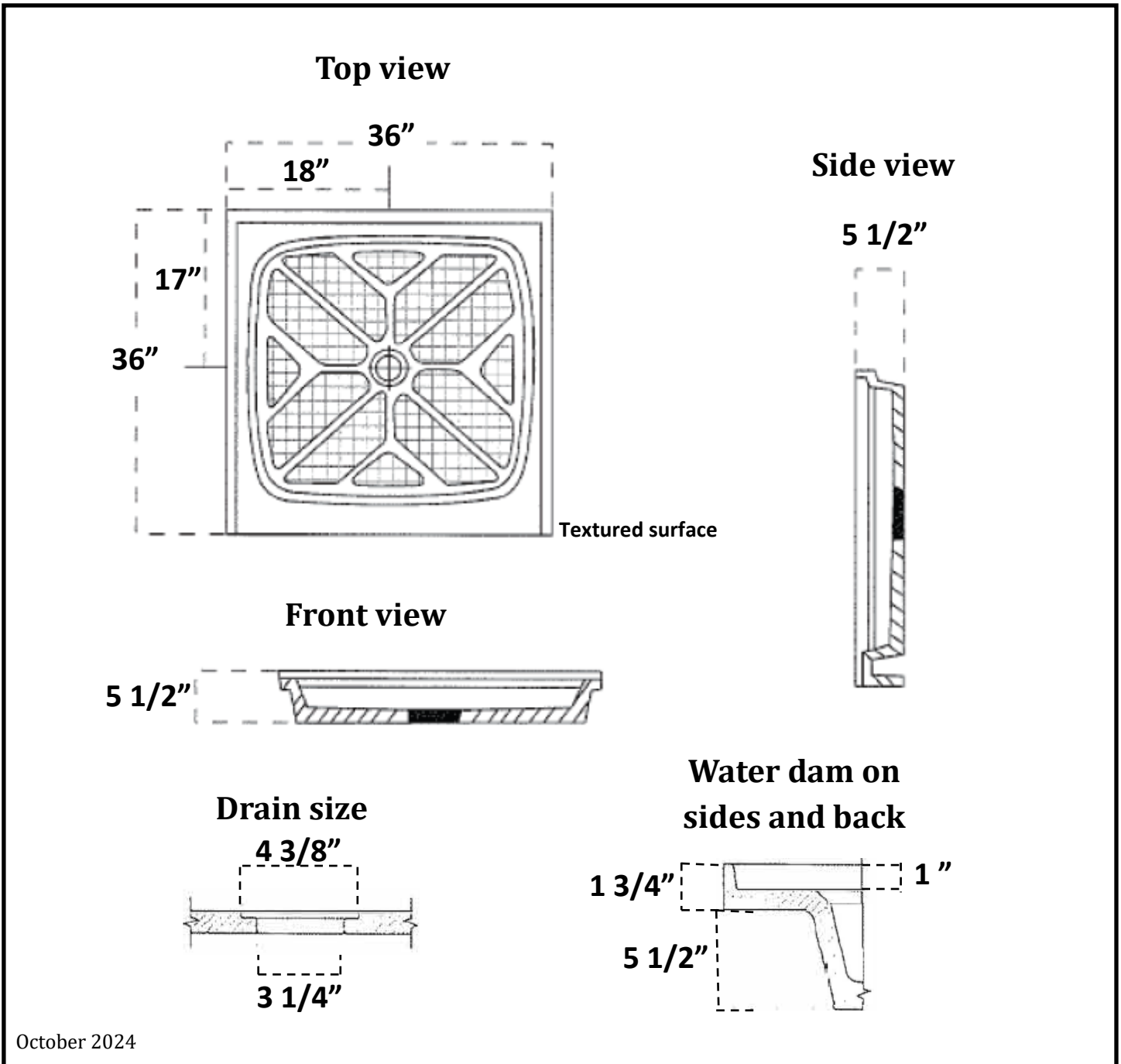
### 1051-26: 60x32 Shower Pan with Center Drain



October 2024

## Specifications

### 1051-06: 36x36 Shower Pan with Center Drain

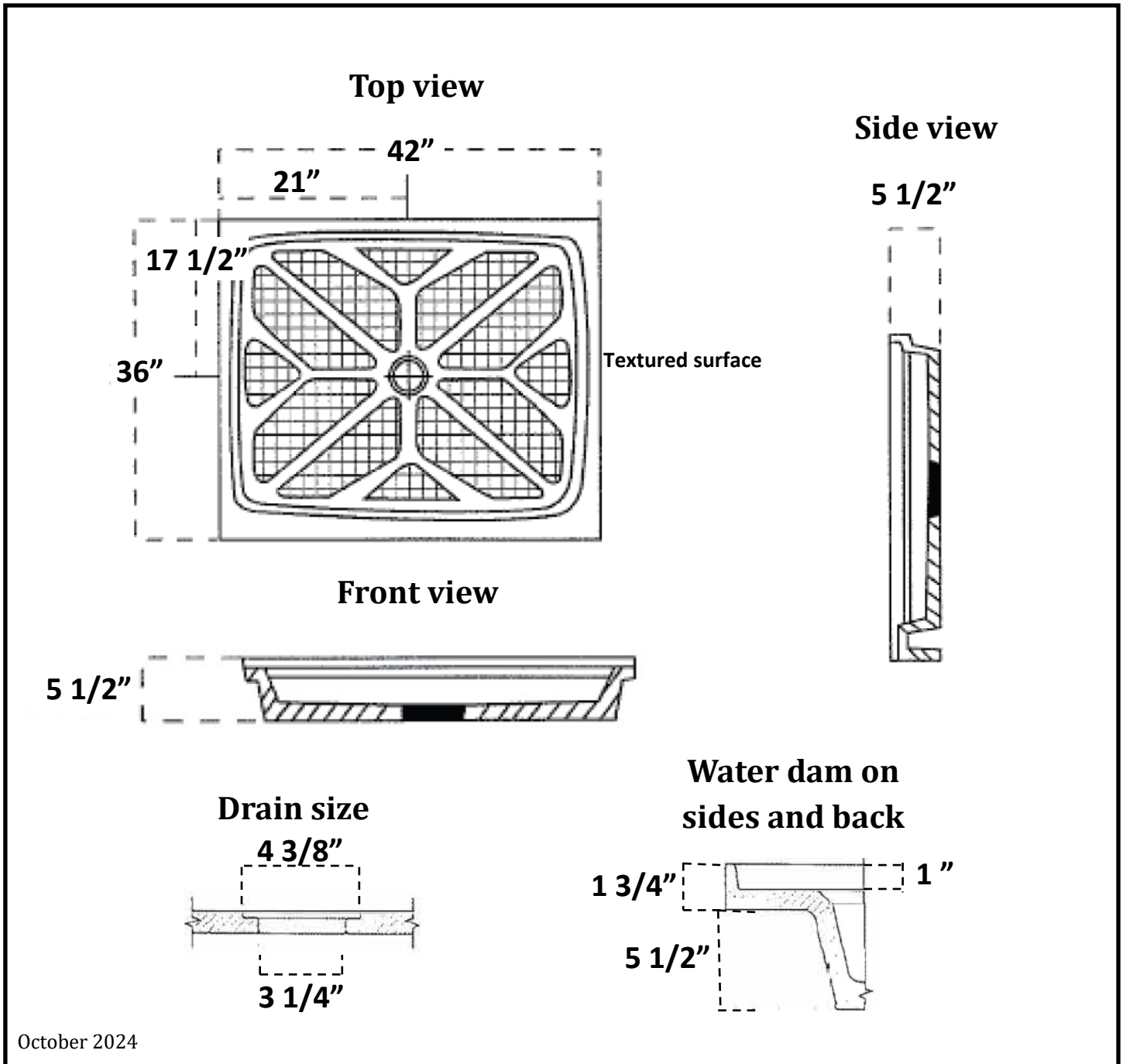


October 2024



## Specifications

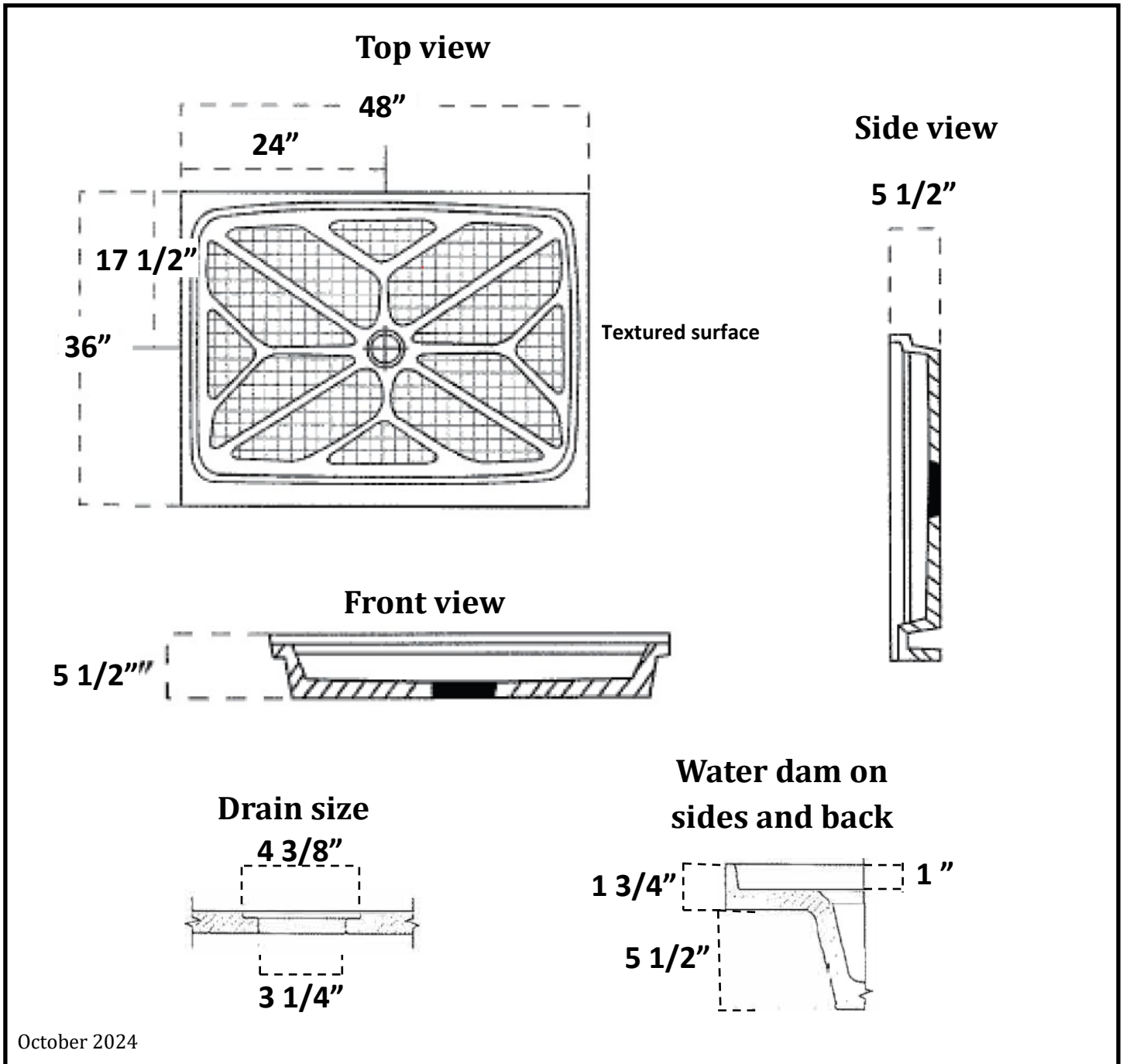
### 1051-07: 42x36 Shower Pan with Center Drain



October 2024

## Specifications

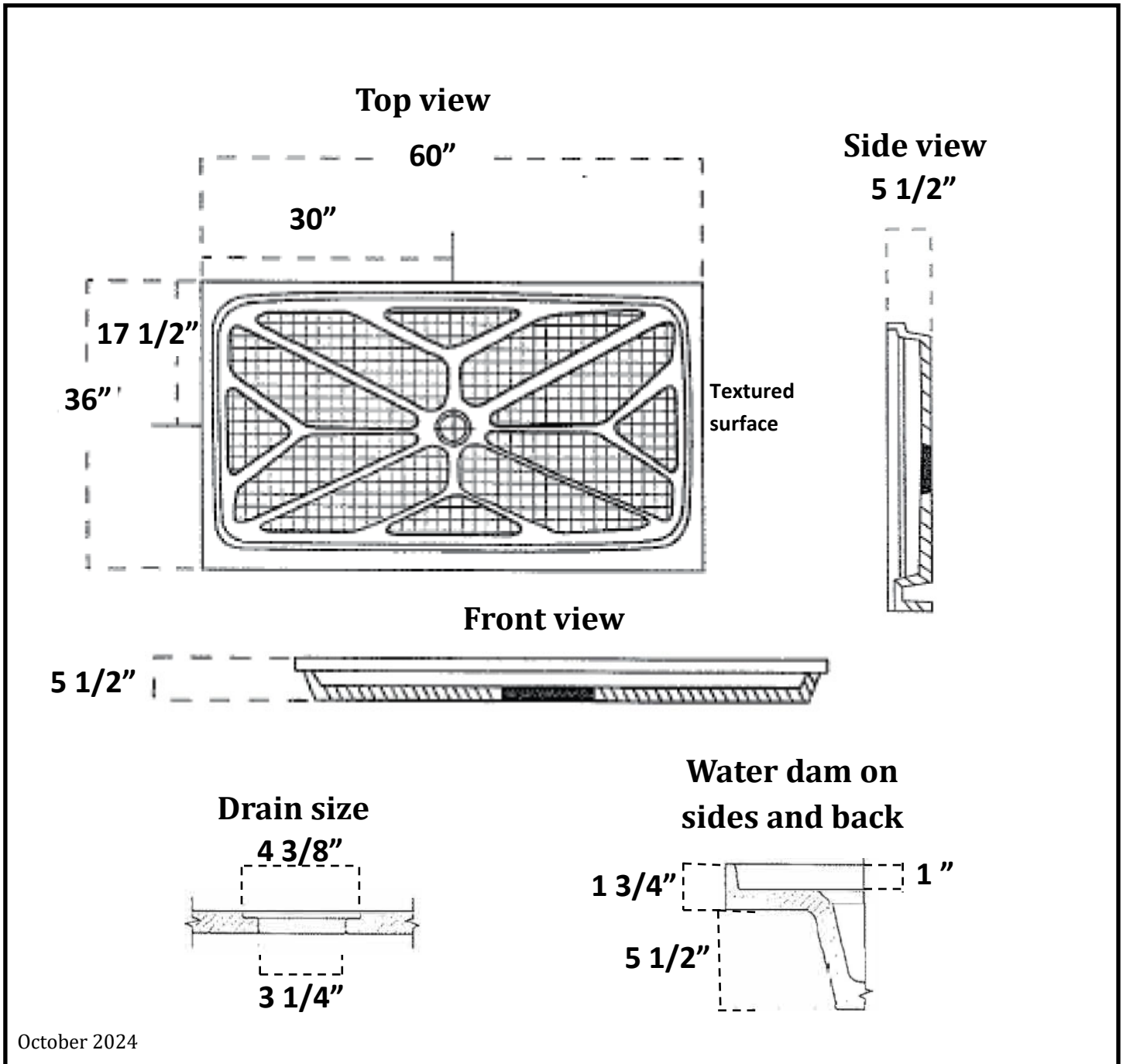
### 1051-08: 48x36 Shower Pan with Center Drain



October 2024

## Specifications

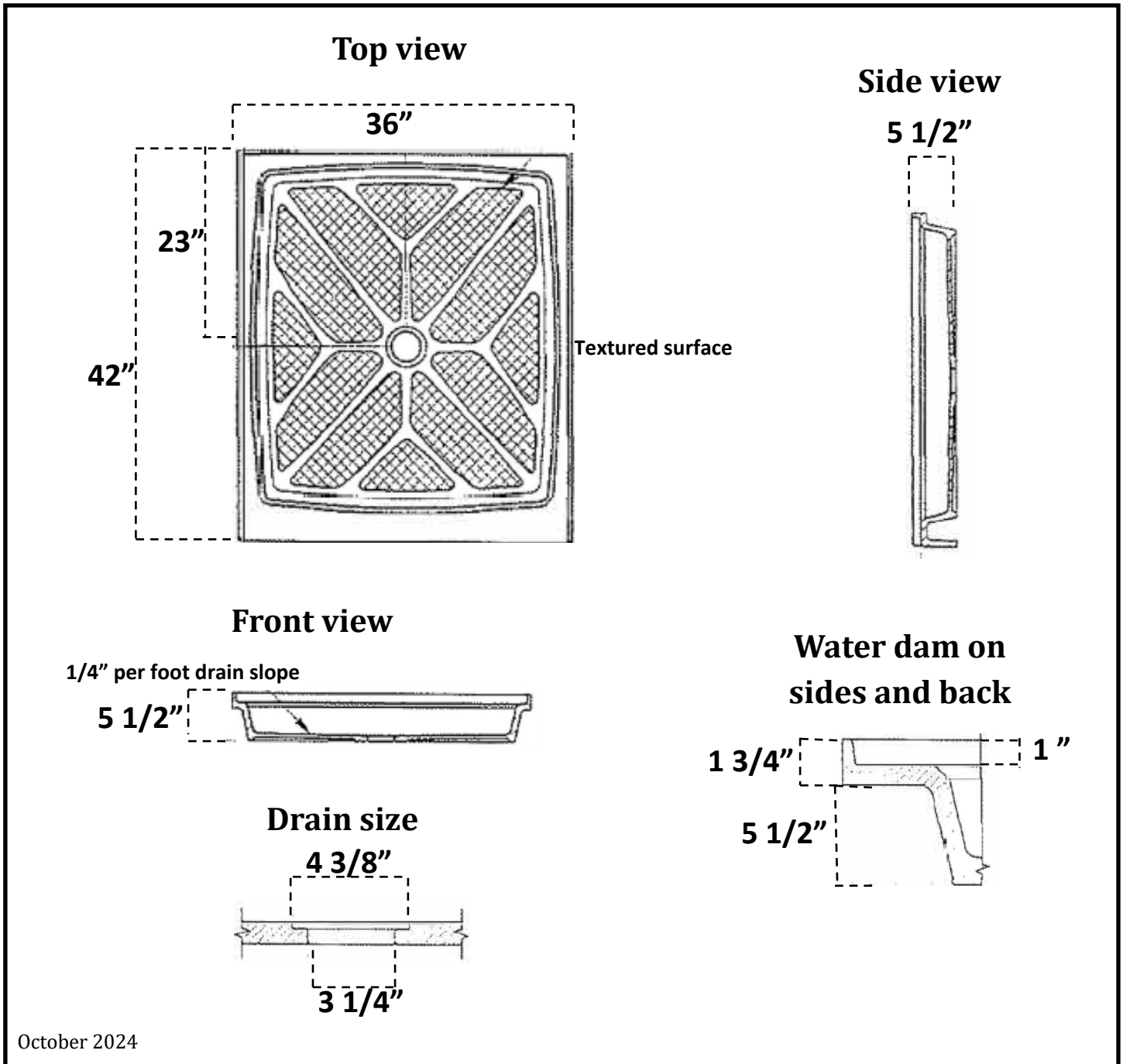
### 1051-10: 60x36 Shower Pan with Center Drain



October 2024

## Specifications

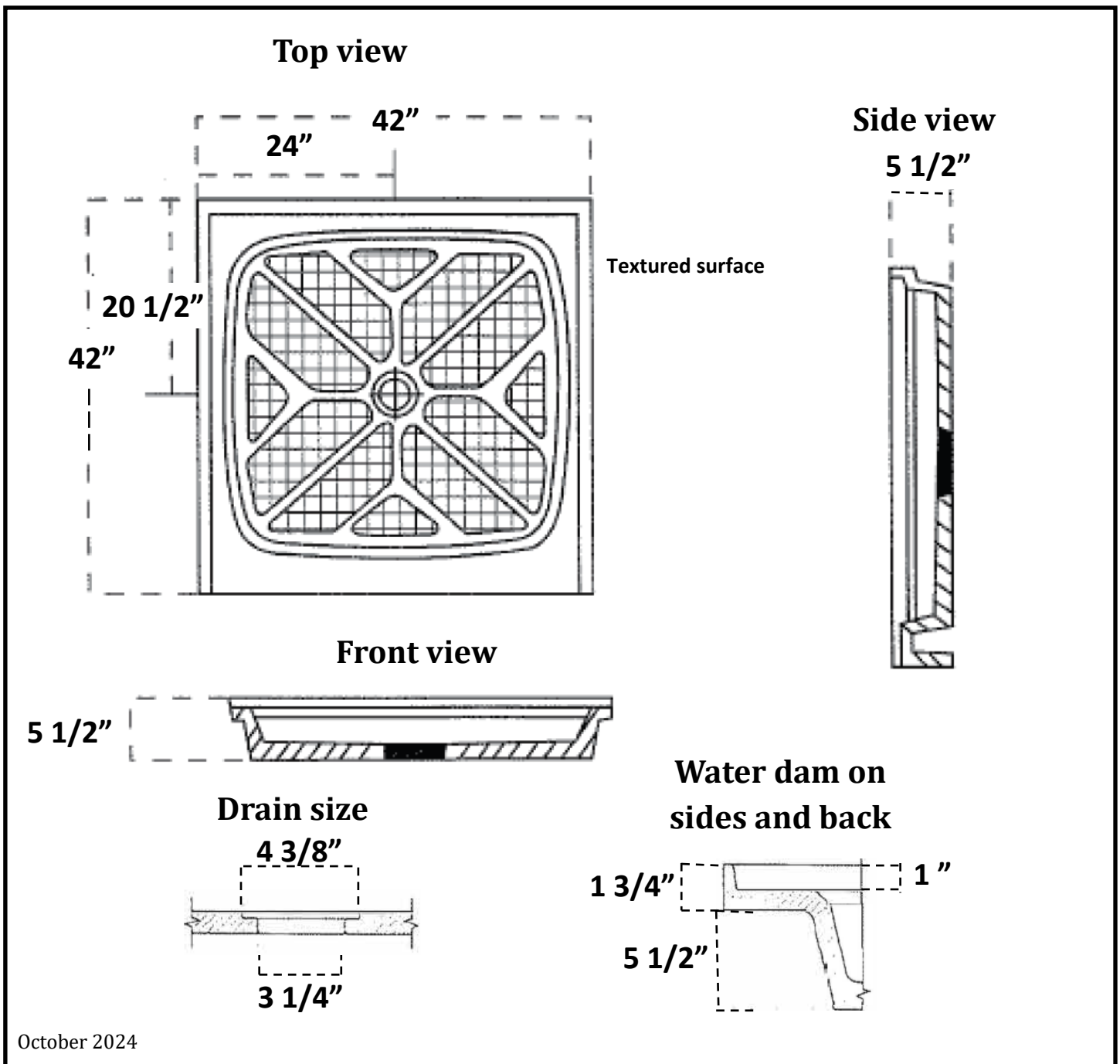
### 1051-03: 36x42 Shower Pan with Center Drain



October 2024

## Specifications

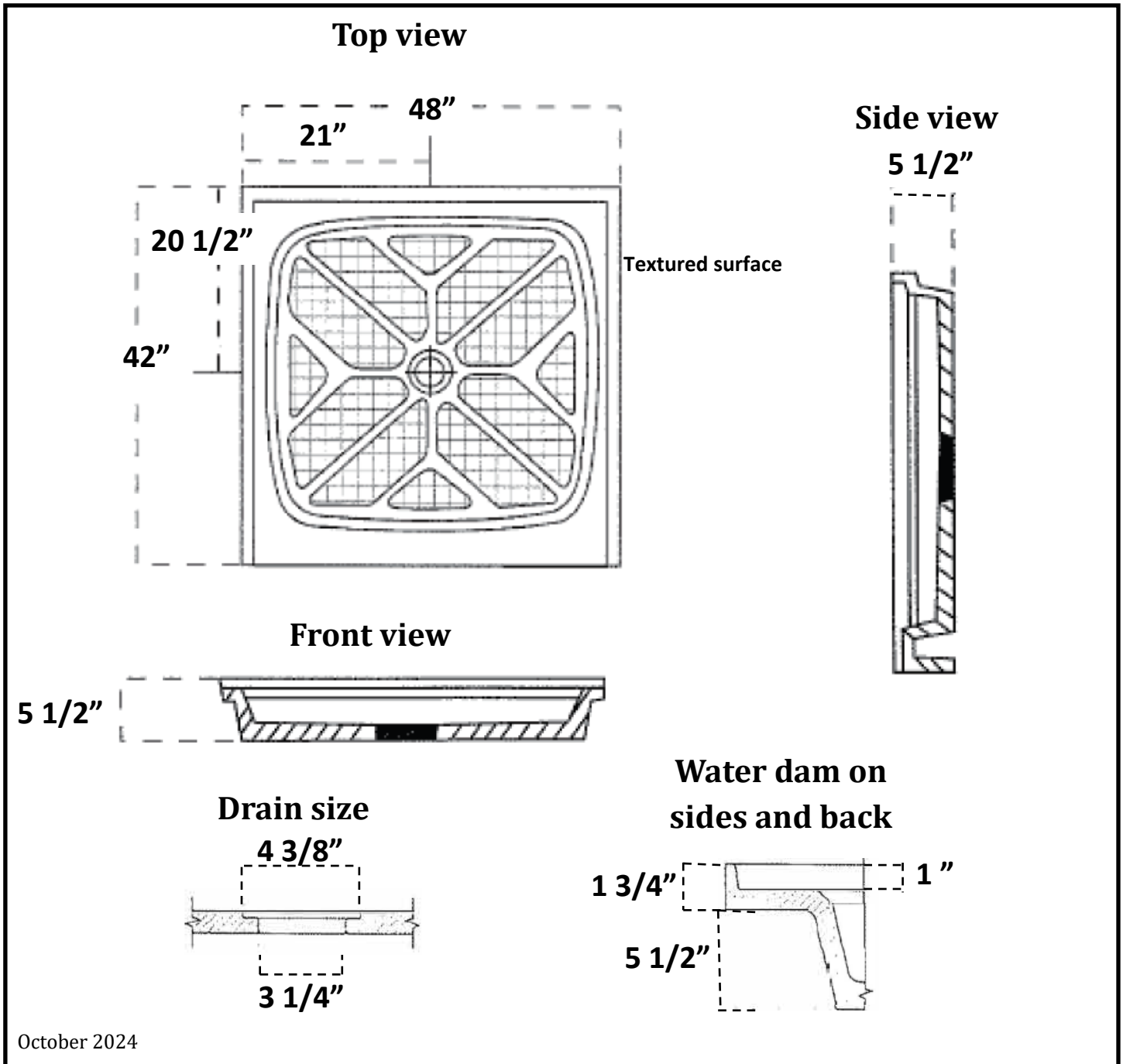
### 1051-05: 42x42 Shower Pan with Center Drain



October 2024

## Specifications

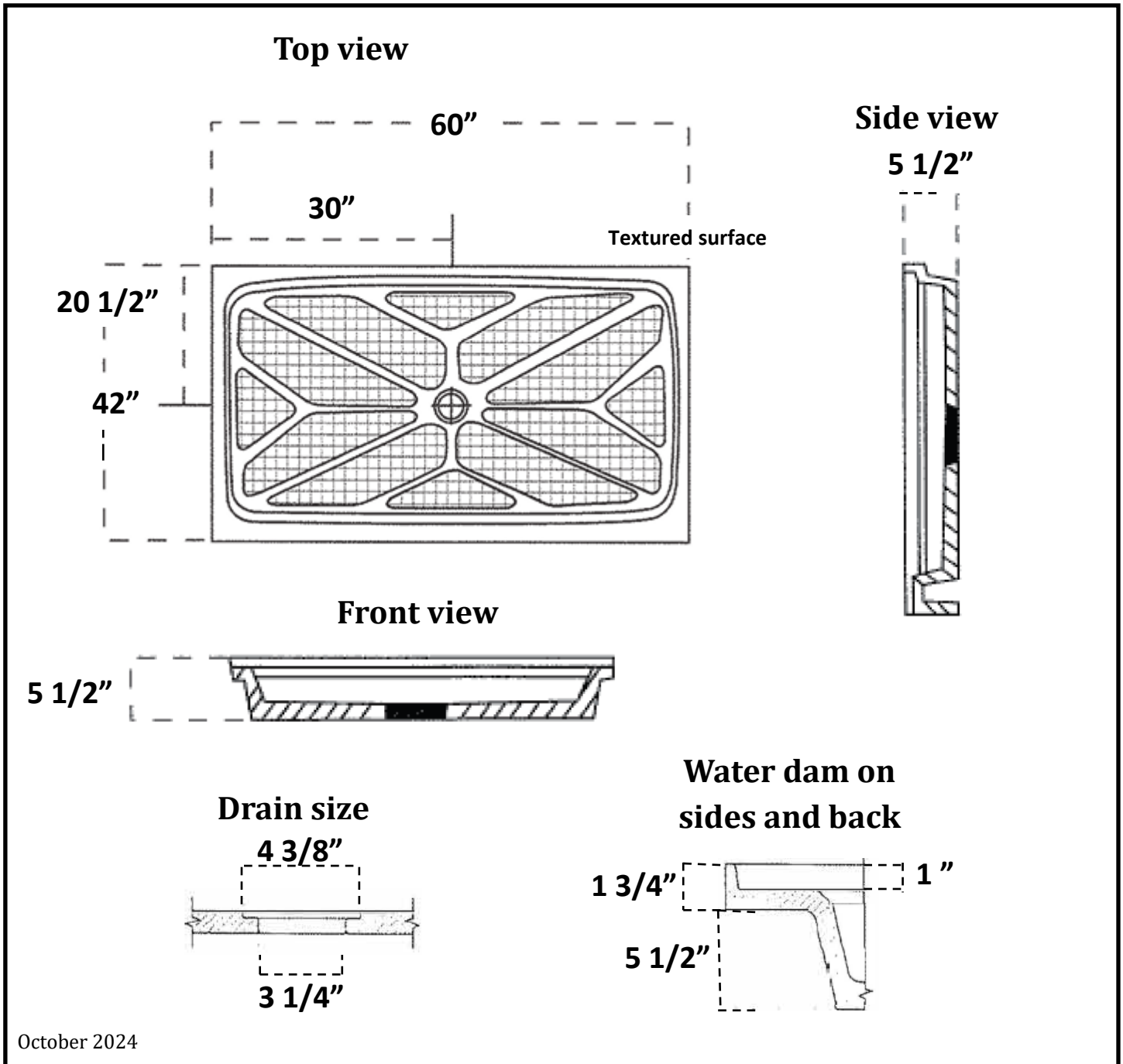
### 1051-04: 48x42 Shower Pan with Center Drain



October 2024

## Specifications

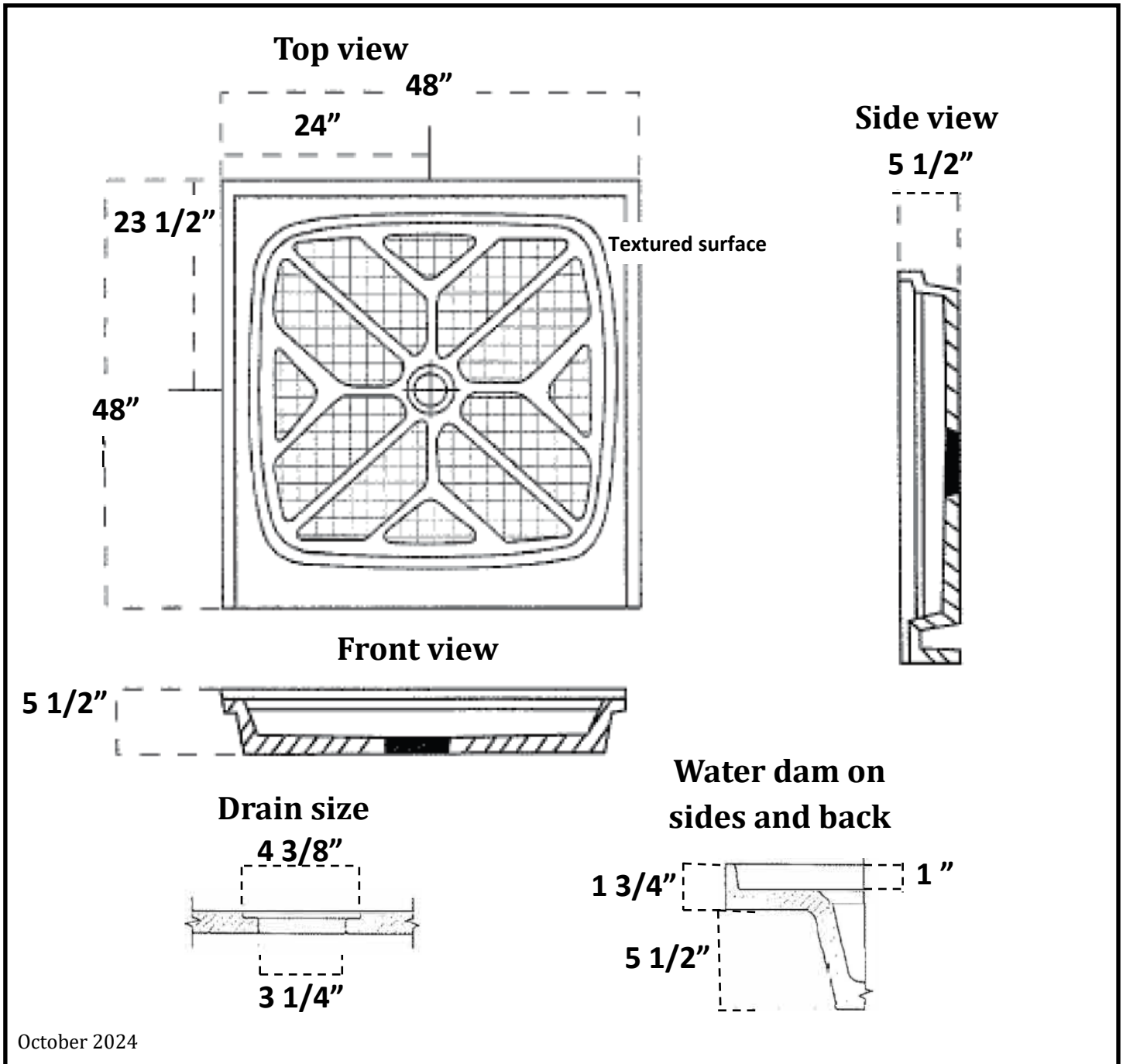
### 1051-12: 60x42 Shower Pan with Center Drain



October 2024

## Specifications

### 1051-19: 48x48 Shower Pan with Center Drain



October 2024





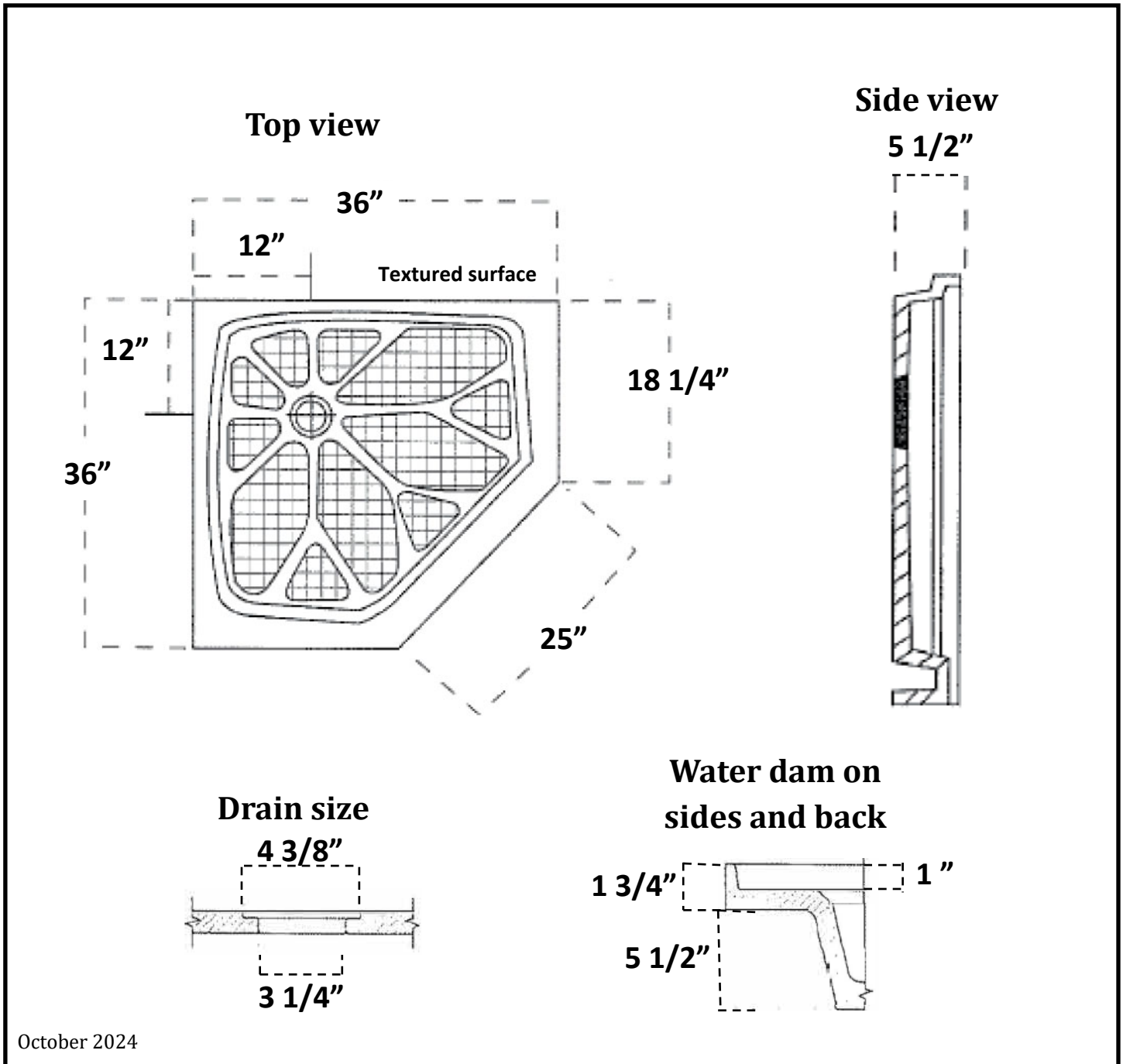


## **Neo Angle Shower Pans**

October 2024

## Specifications

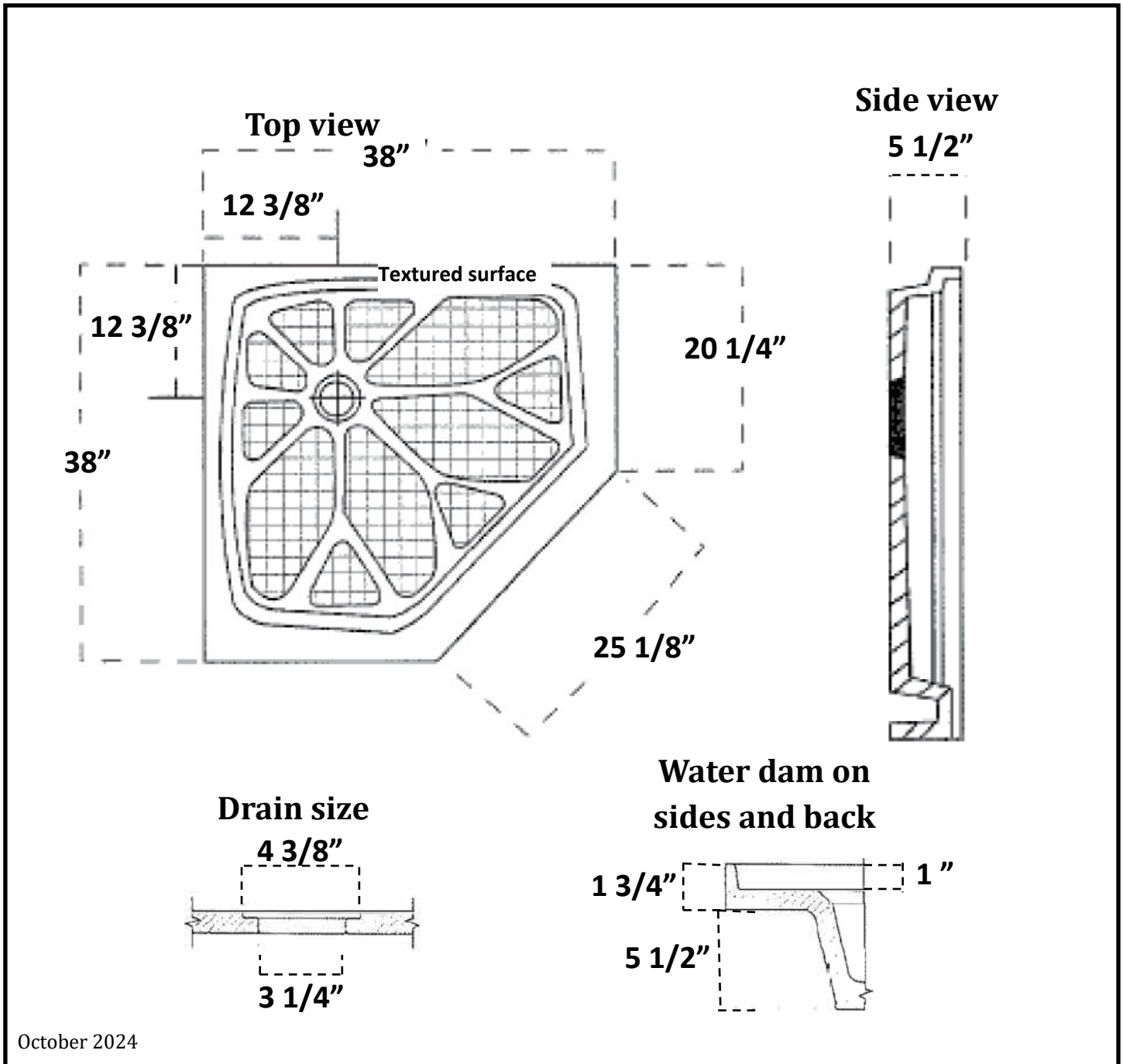
### 36" Neo Angle Corner Shower Pan



October 2024

## Specifications

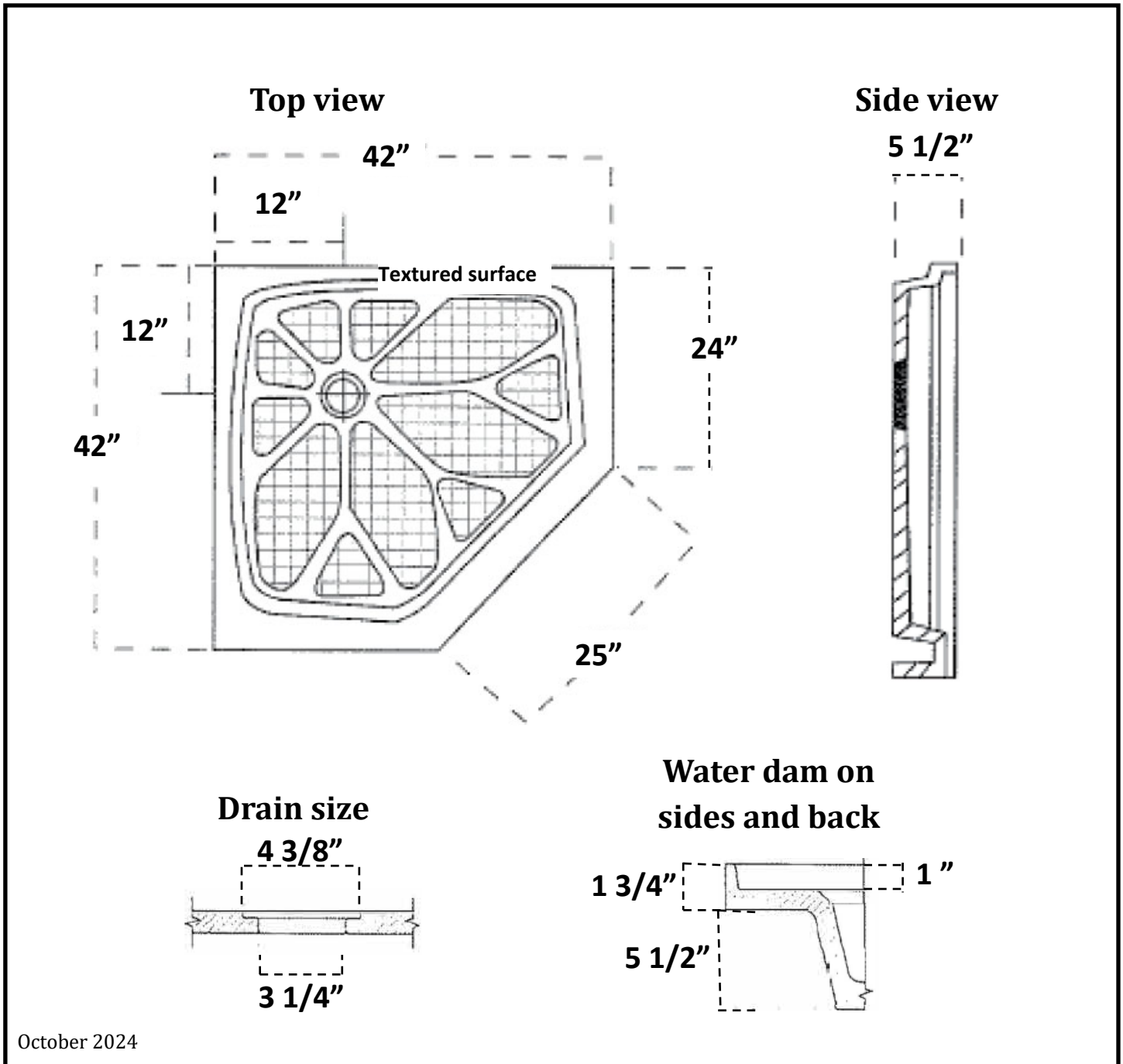
### 38" Neo Angle Corner Shower Pan



October 2024

## Specifications

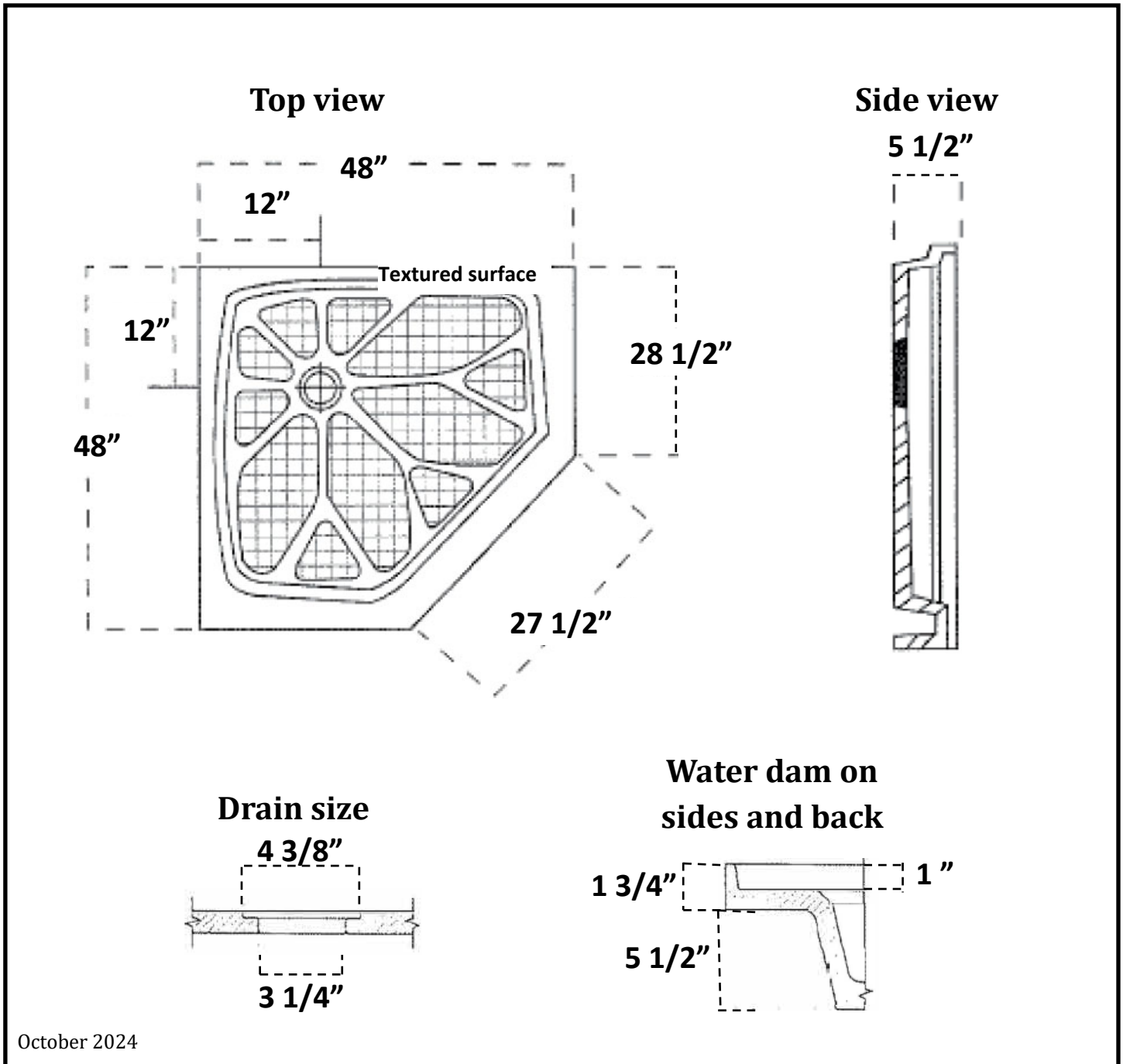
### 42" Neo Angle Corner Shower Pan



October 2024

## Specifications

### 48" Neo Angle Corner Shower Pan



October 2024





## **Low Profile / Walk In Shower**

October 2024



## Specifications

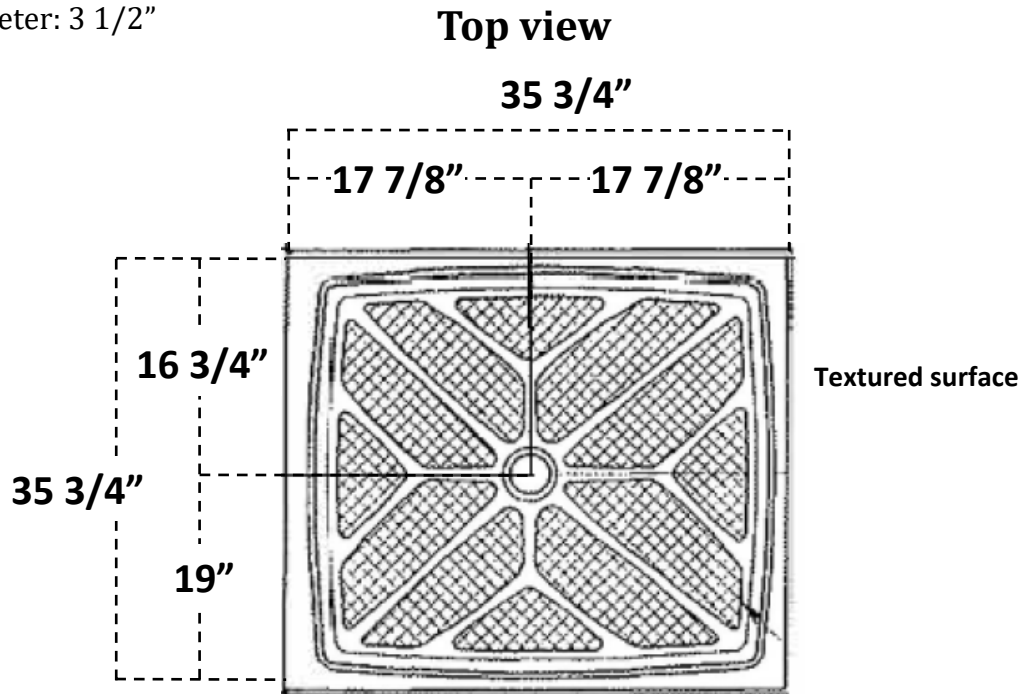
### 1053-06: 36" x 36" Low Profile Walk-In Shower Pan

Threshold: 1 1/2" tall x 2 1/4" thick

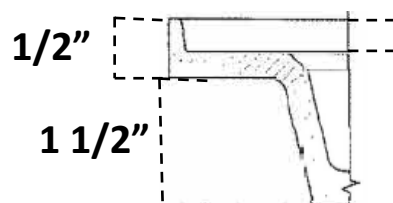
Water dam, sides and back: 1/2" tall x 1/4" thick

Overall height including water dam: 2"

Drain diameter: 3 1/2"



### Water dam on sides and back



October 2024

## Specifications

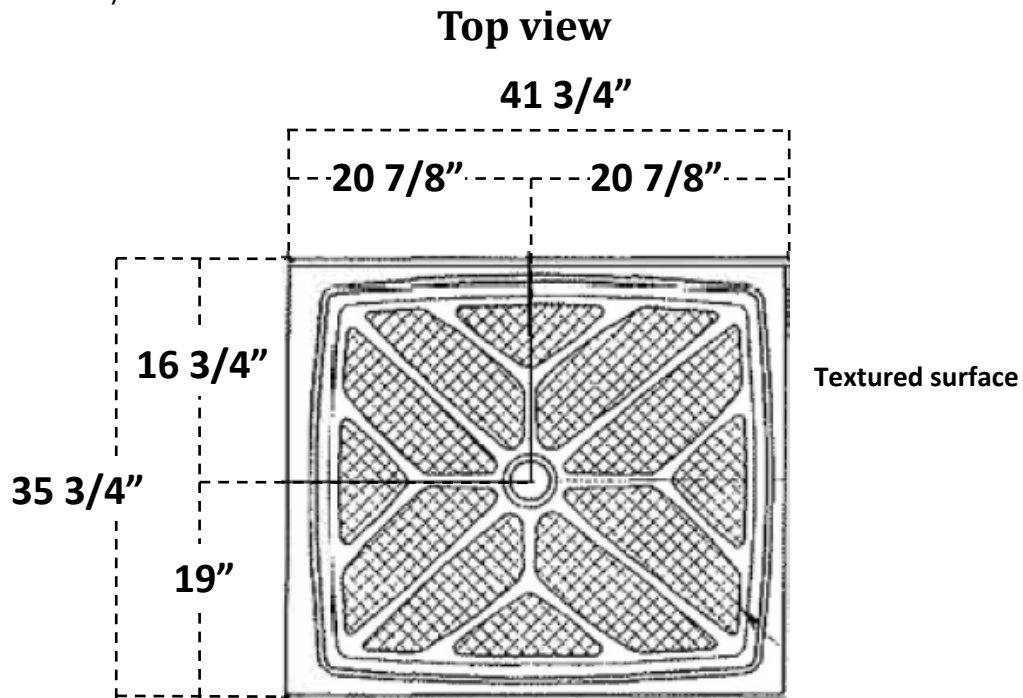
### 1053-07: 42" x 36" Low Profile Walk-In Shower Pan

Threshold: 1 1/2" tall x 2 1/4" thick

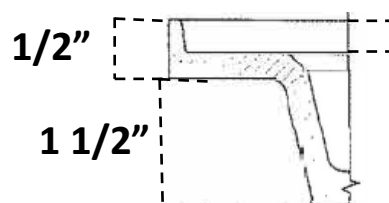
Water dam, sides and back: 1/2" tall x 1/4" thick

Overall height including water dam: 2"

Drain diameter: 3 1/2"



### Water dam on sides and back



October 2024

## Specifications

### 1053-08: 48" x 36" Low Profile Walk-In Shower Pan

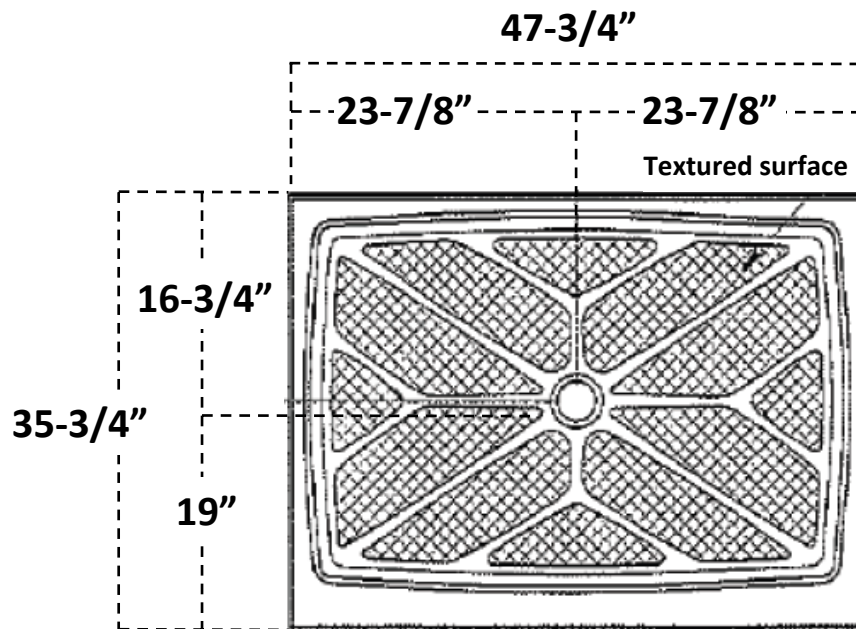
Threshold: 1-1/2" tall x 2-1/4" thick

Water dam, sides and back: 1/2" tall x 1/4" thick

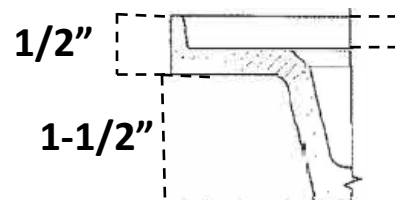
Overall height including water dam: 2"

Drain diameter: 3 1/2"

**Top view**



**Water dam on sides and back**



October 2024

## Specifications

### 1053-10: 60" x 36" Low Profile Walk-In Shower Pan

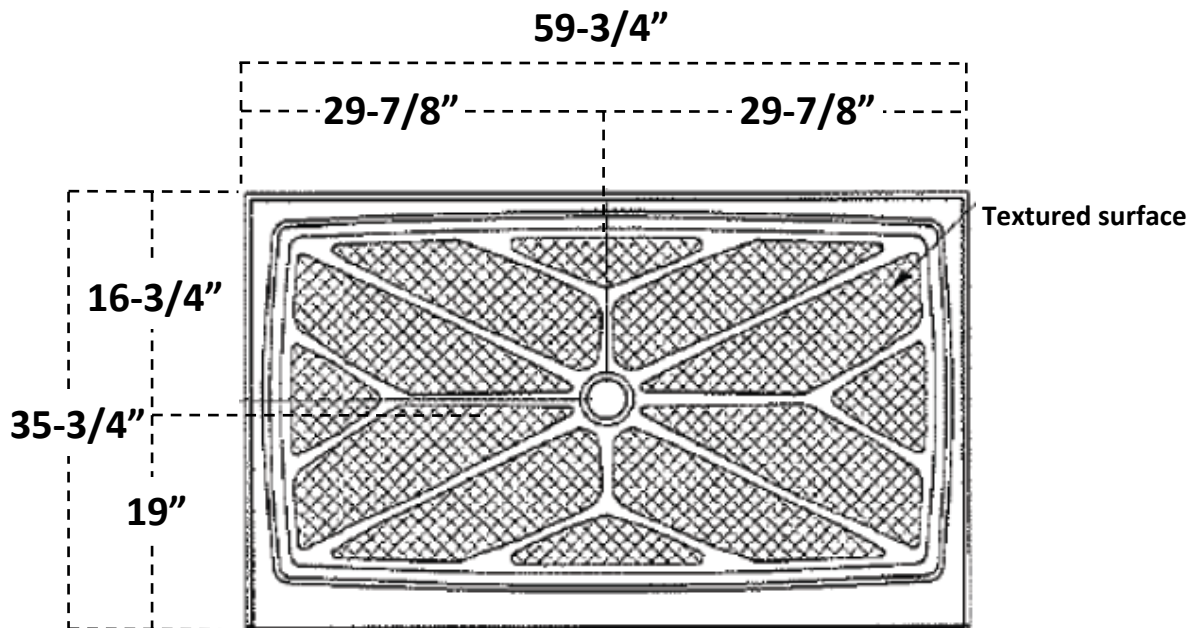
Threshold: 1-1/2" tall x 2-1/4" thick

Water dam, sides and back: 1/2" tall x 1/4" thick

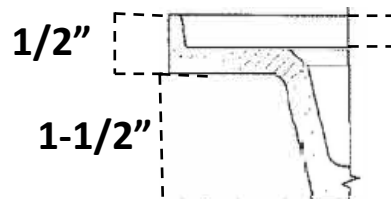
Overall height including water dam: 2"

Drain diameter: 3 1/2"

#### Top view



#### Water dam on sides and back



## Specifications

### 1053-LH: 60" x 32" Low Profile Walk-In Shower Pan Left Hand Drain

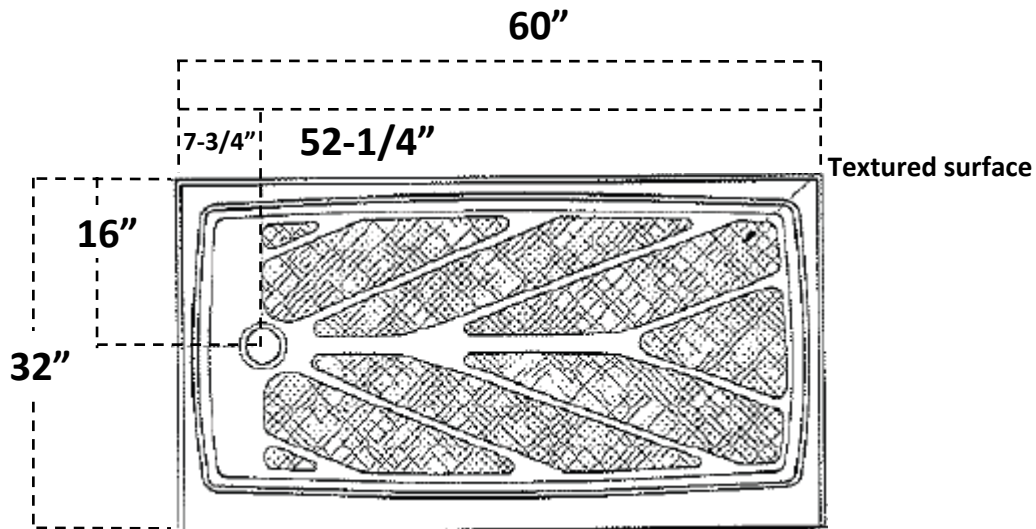
Threshold: 1-1/2" tall x 2-1/4" thick

Water dam, sides and back: 1/2" tall x 1/4" thick

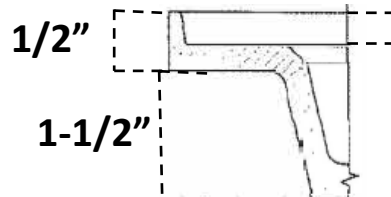
Overall height including water dam: 2"

Drain diameter: 3"

#### Top view



#### Water dam on sides and back



October 2024

## Specifications

### 1053-RH: 60" x 32" Low Profile Walk-In Shower Pan Right Hand Drain

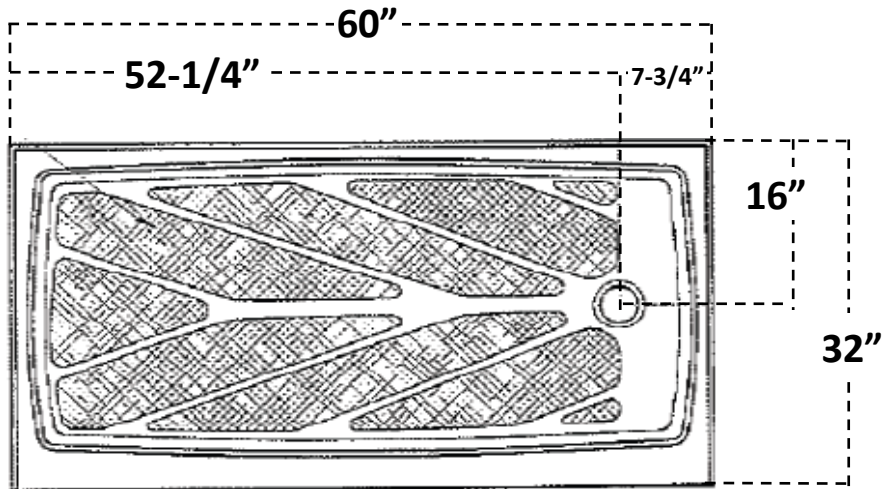
Threshold: 1-1/2" tall x 2-1/4" thick

Water dam, sides and back: 1/2" tall x 1/4" thick

Overall height including water dam: 2"

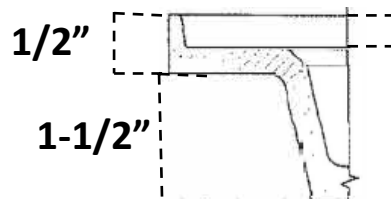
Drain diameter: 3"

#### Top view



Textured surface

#### Water dam on sides and back



October 2024





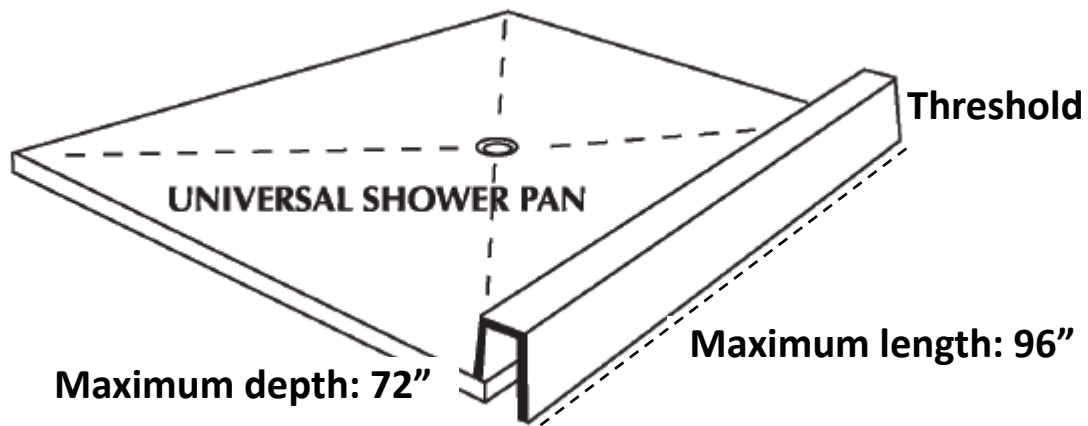
## **Universal pan and thresholds**

October 2024



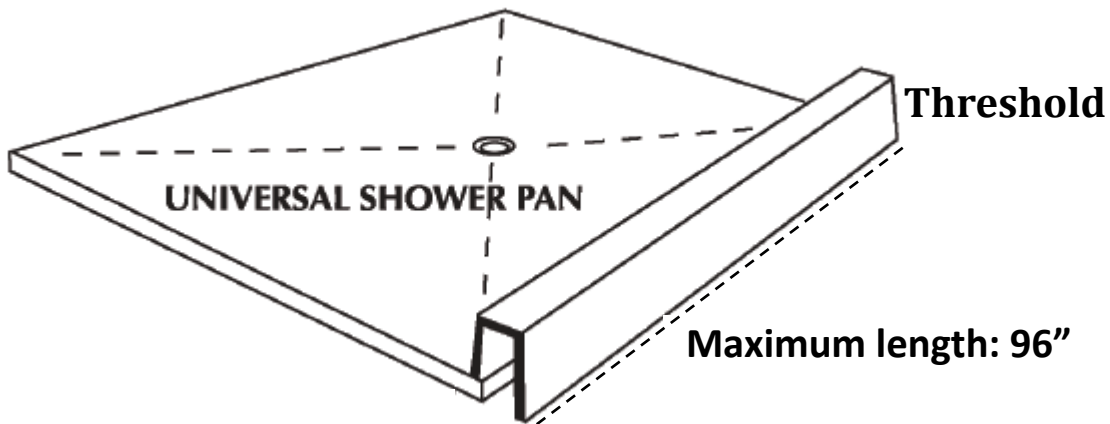
## Specifications

### Universal Shower Pan

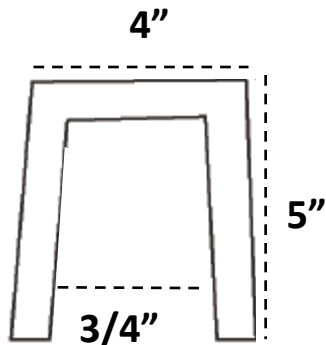


## Specifications

### Universal Shower Threshold for use with Universal Shower Pan

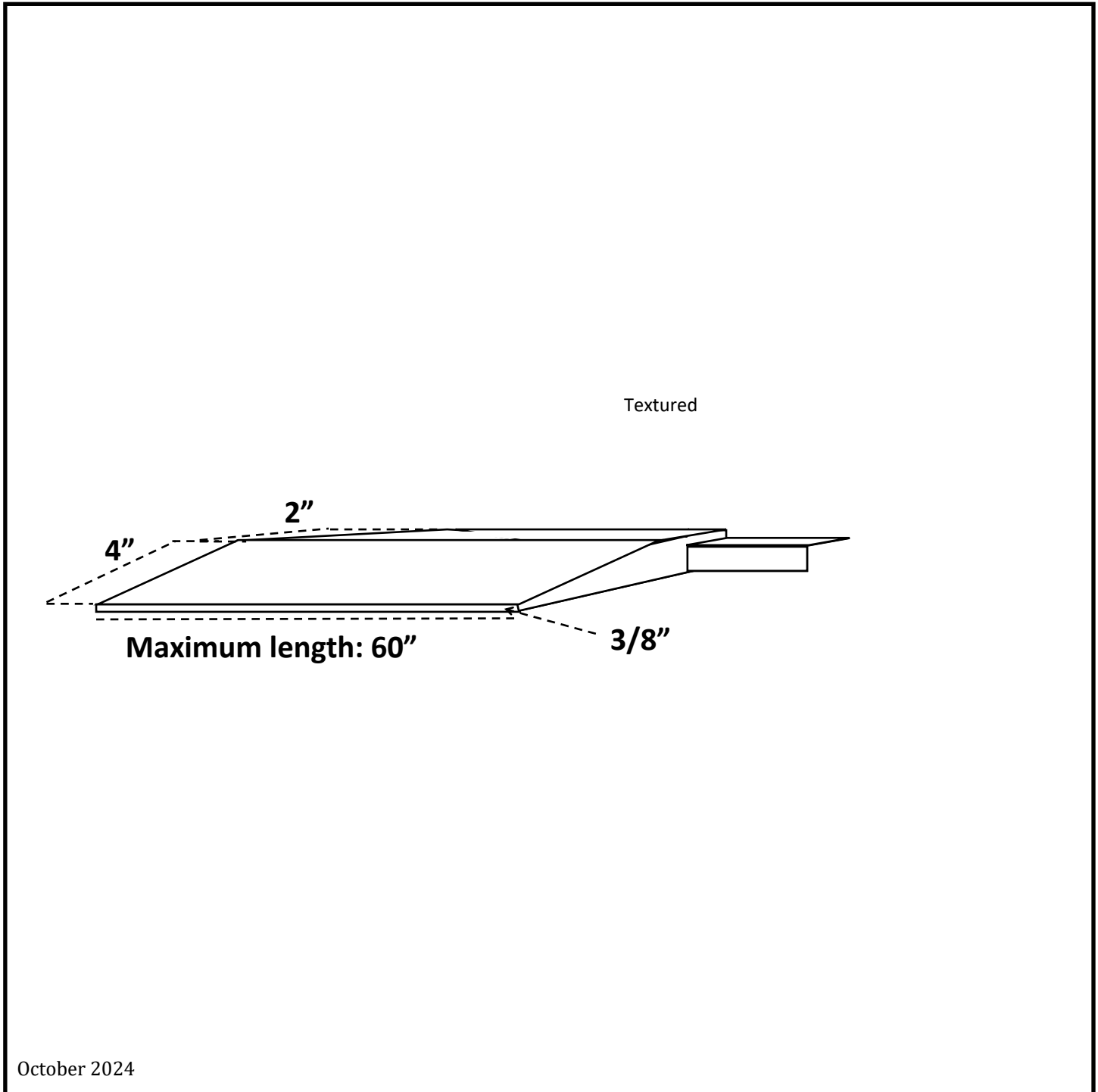


#### End view of threshold



## Specifications

### Ramp/Handicap Threshold for use with Low Profile Shower Pans



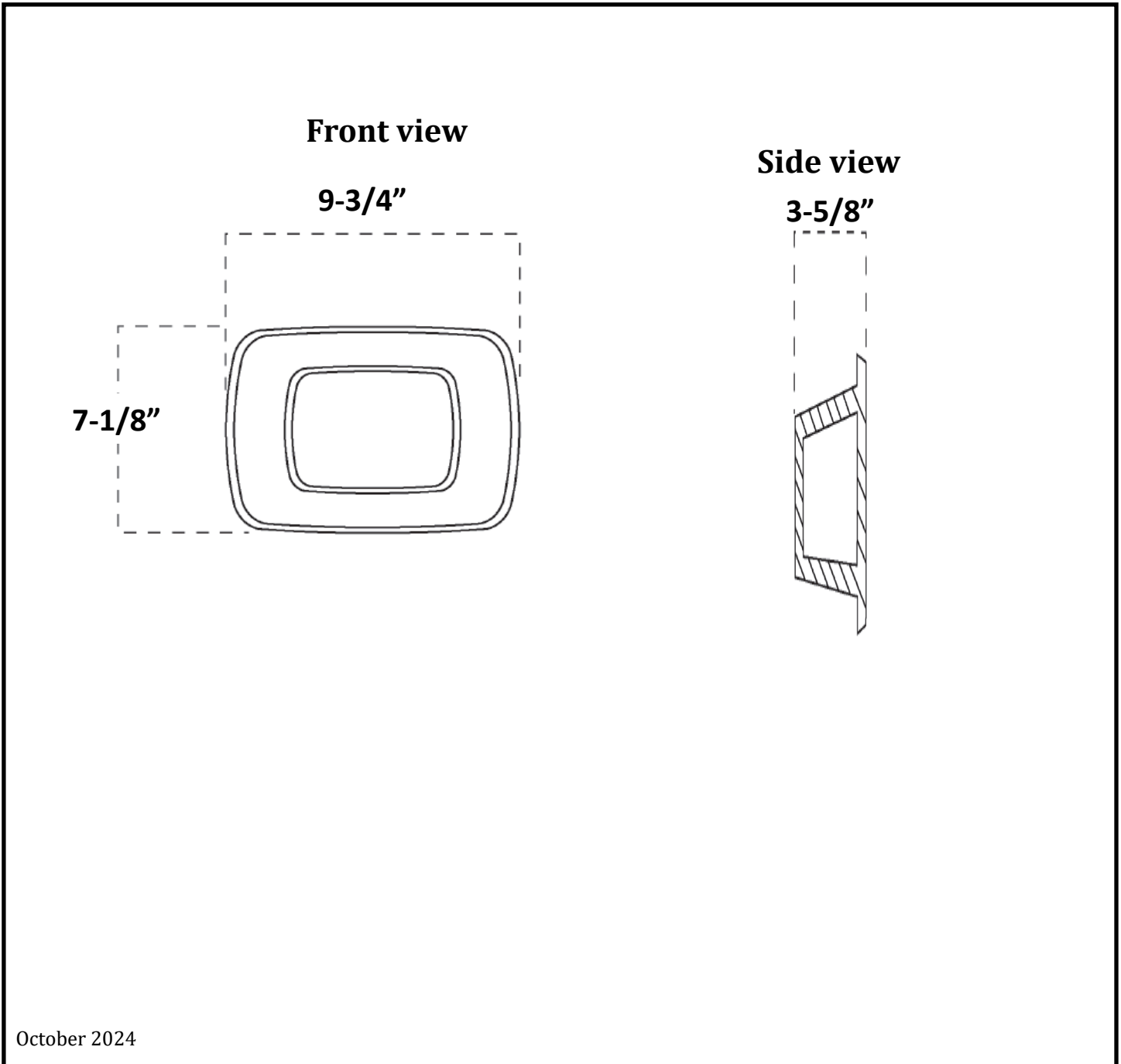
October 2024



## **Shower Accessories**

## Specifications

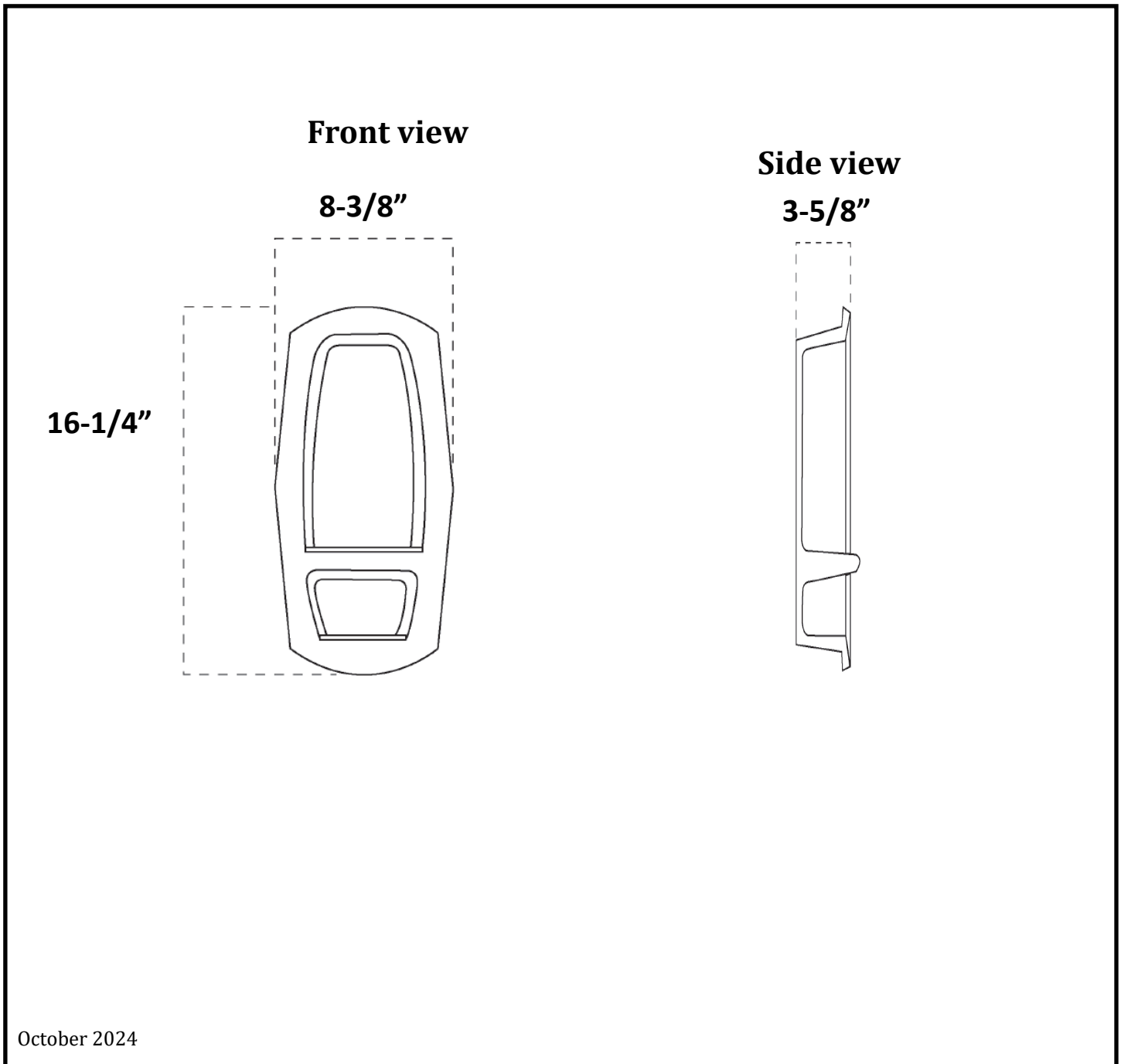
### Recessed Small Diamond Shower Caddy



October 2024

## Specifications

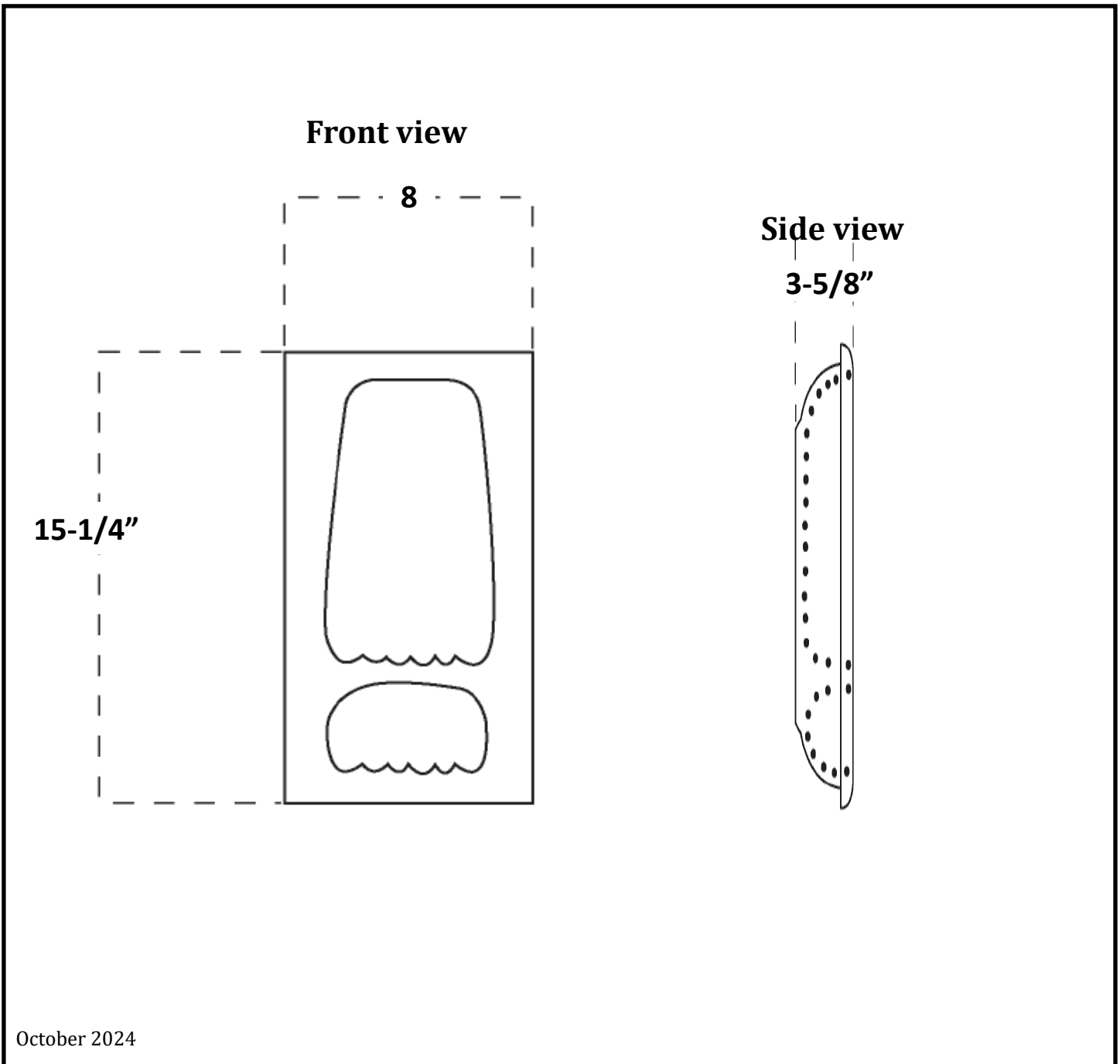
### Recessed Medium Diamond Shower Caddy



October 2024

## Specifications

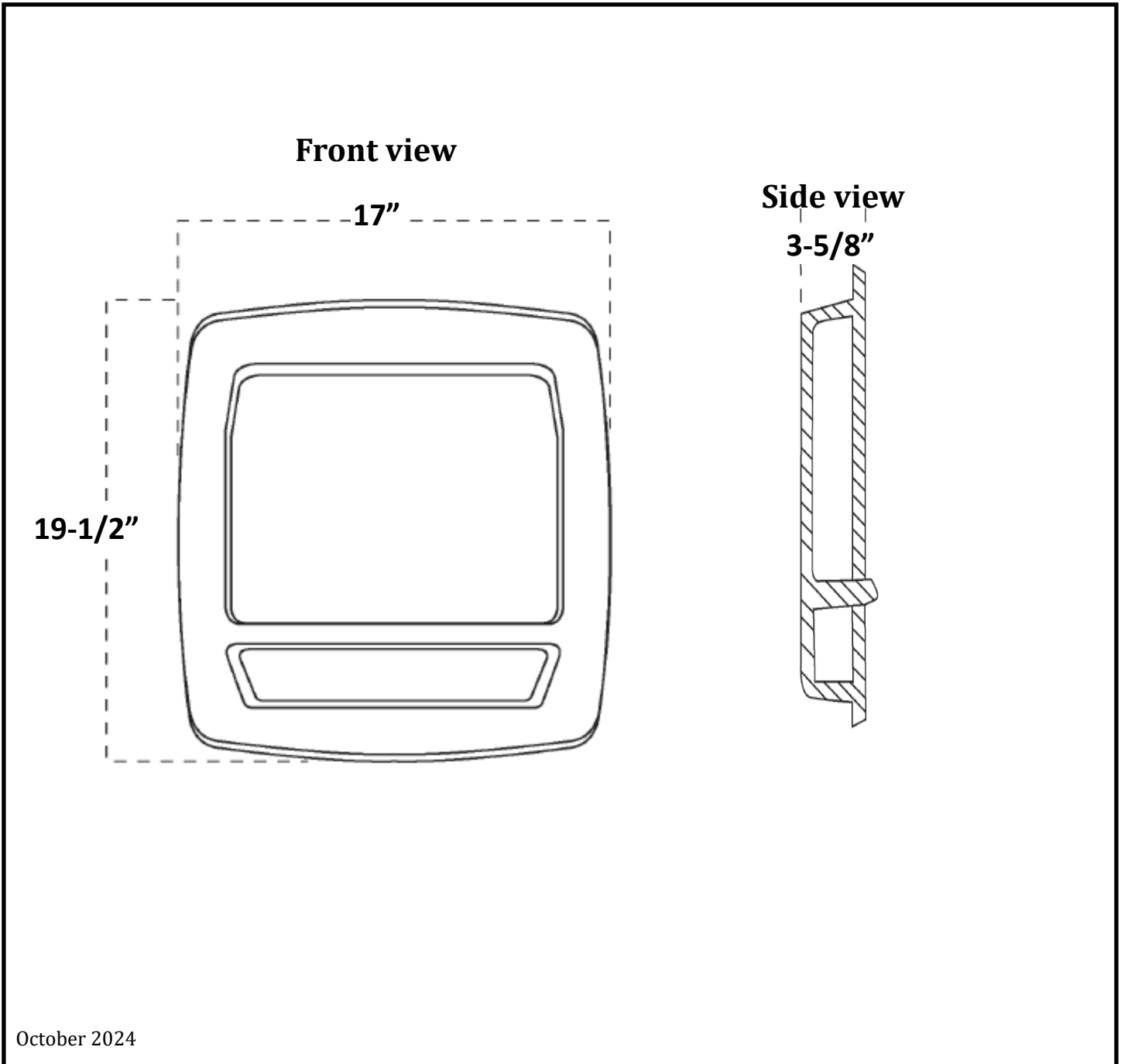
### Recessed Medium Sweetheart Shower Caddy



October 2024

## Specifications

### Recessed Large Diamond Shower Caddy

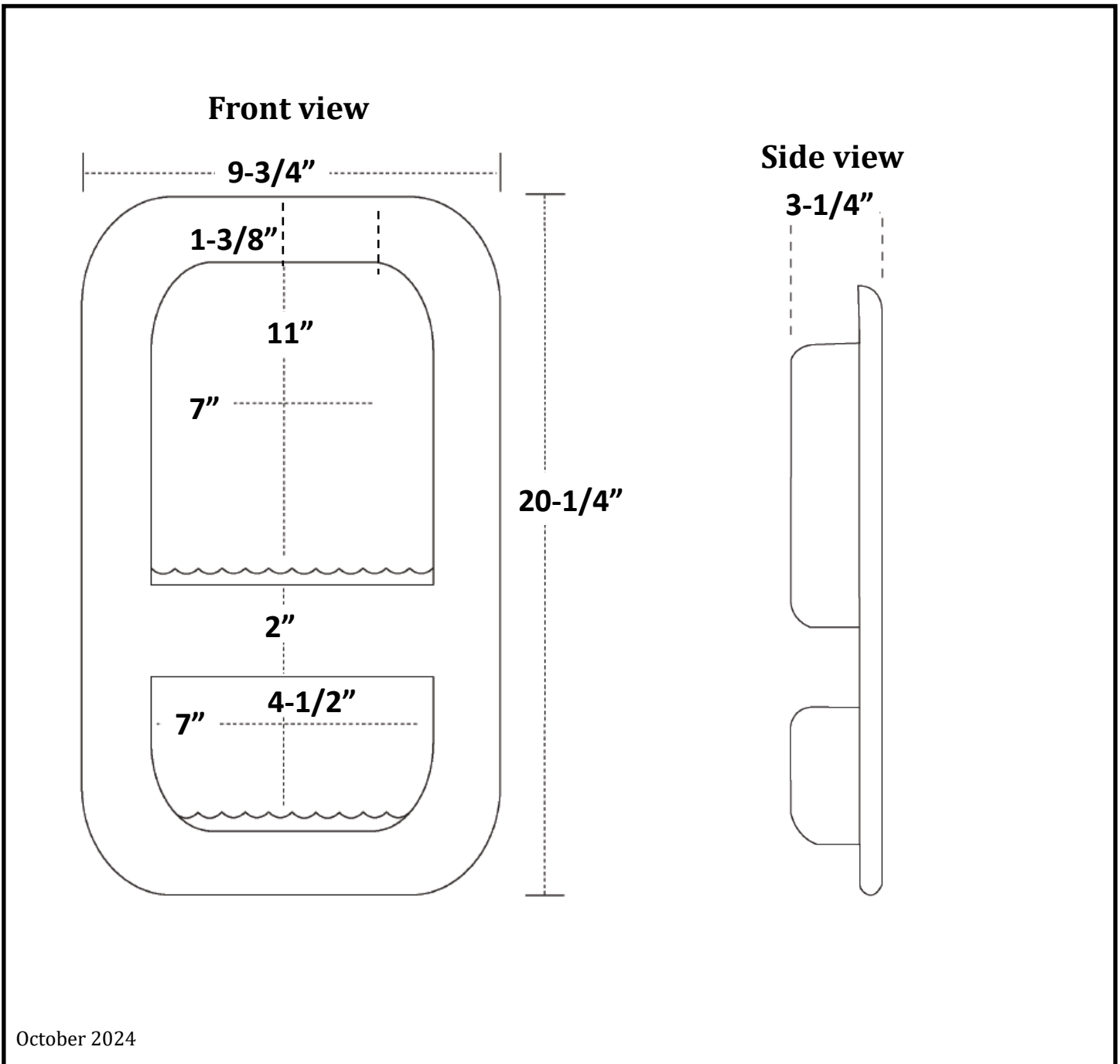


October 2024



## Specifications

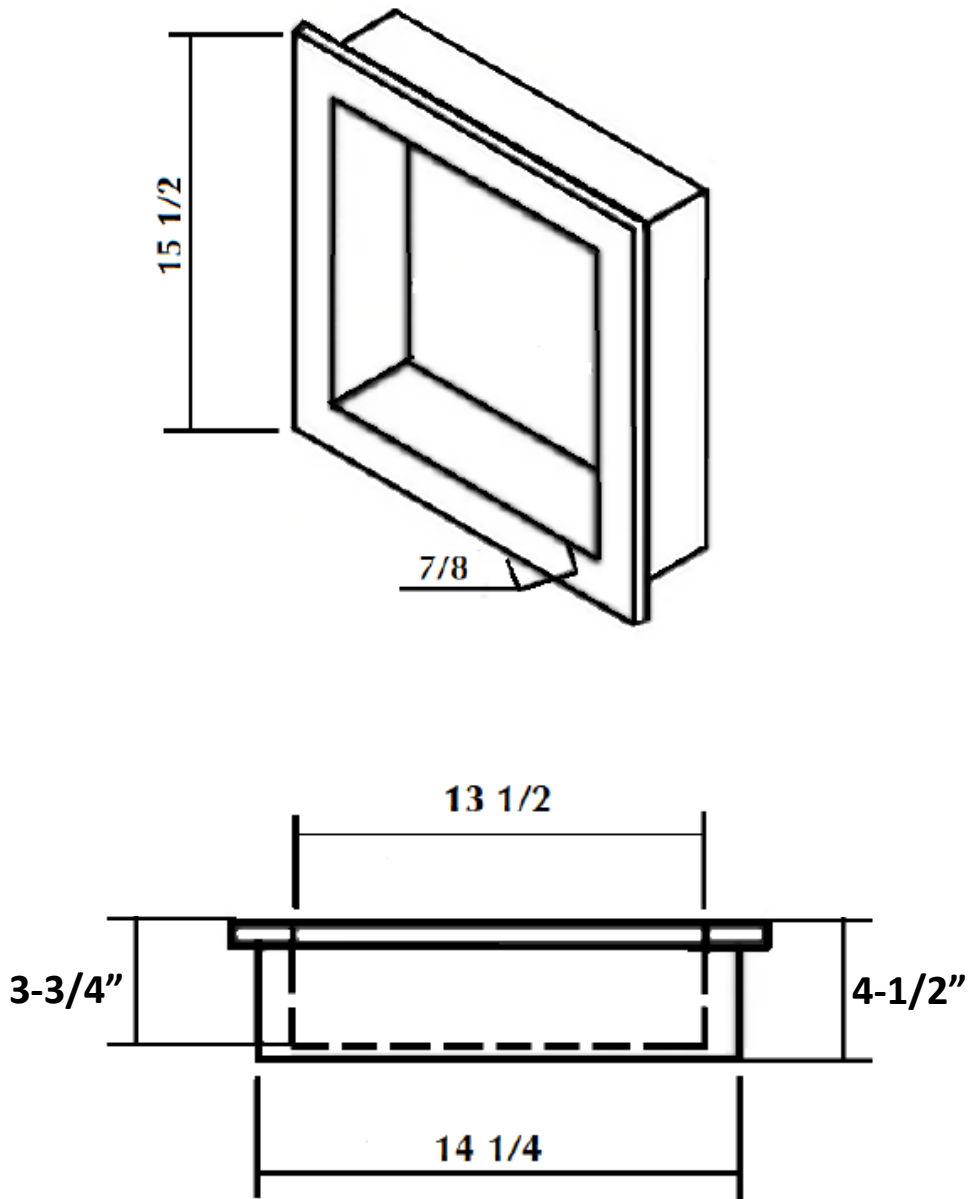
### Recessed Deluxe Shower Caddy



October 2024

## Specifications

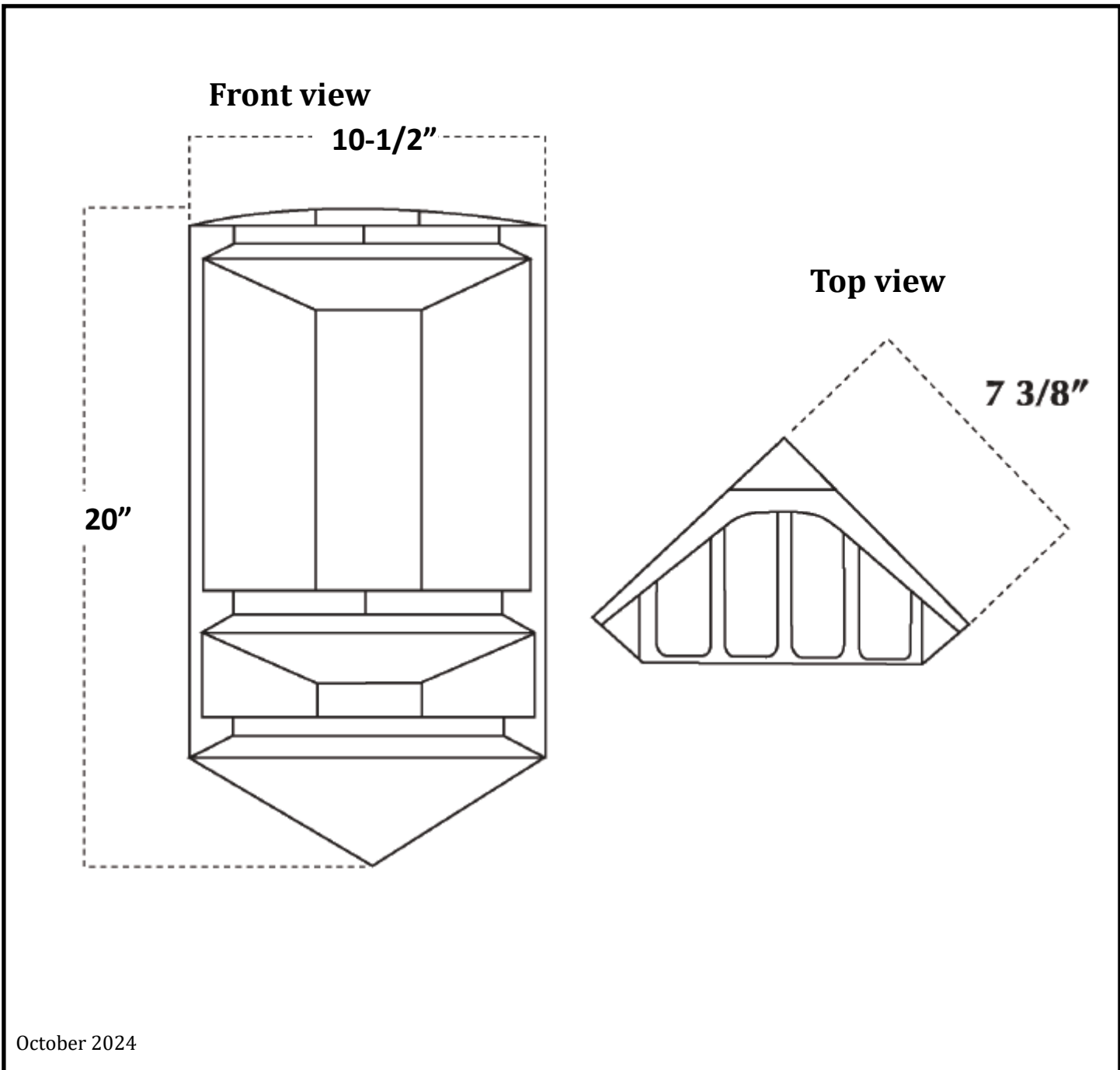
### Recessed Square Niche Caddy



October 2024

## Specifications

### Surface Mount Soap/Shampoo Holder Corner Shower Caddy

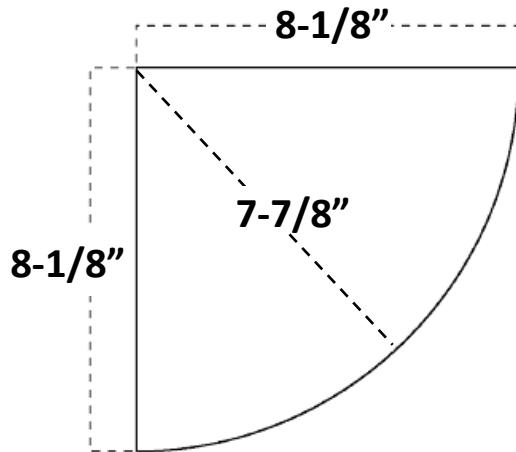


October 2024

## Specifications

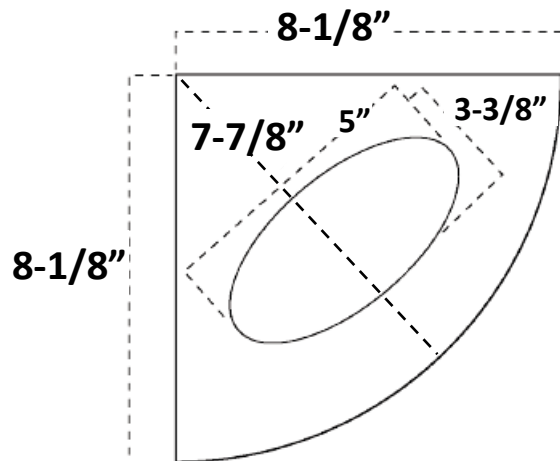
### Surface Mount Corner Shelf with or without Soap Depression

#### No Soap Depression



Shelves are 3/4" thick

#### With Soap Depression

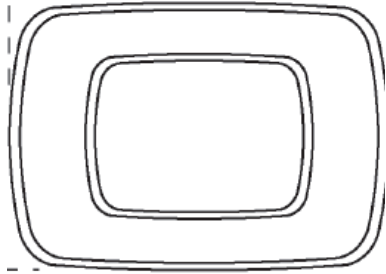


## Specifications

### Shower Caddy Size Comparison\*

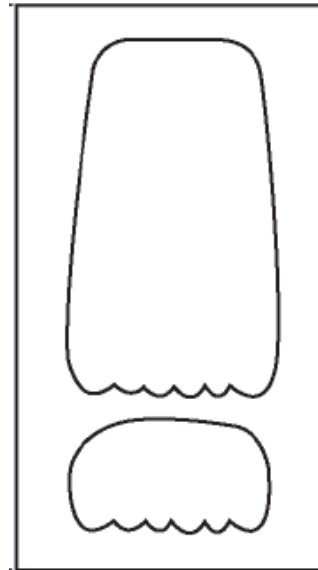
**Recessed Small Diamond**

**7-1/8" x 9-3/4"**



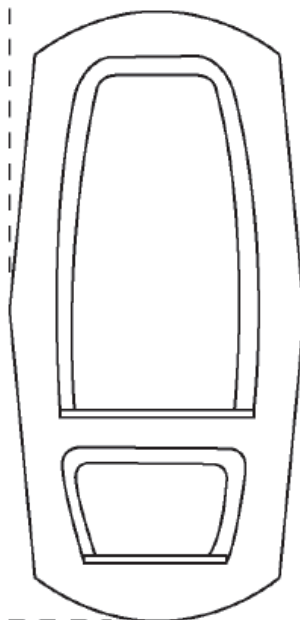
**Recessed Medium Sweetheart**

**15-1/4" x 8"**



**Recessed Medium Diamond**

**16-1/4" x 8-3/8"**

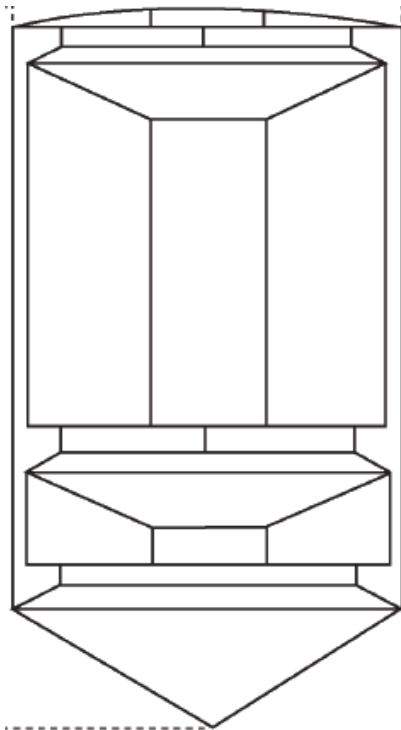


## Specifications

### Shower Caddy Size Comparison\* (continued)

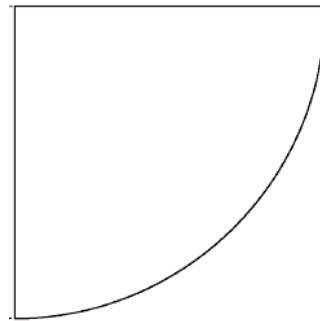
**Surface Mount Corner  
Soap/Shampoo Holder**

**20" x 10-1/2"**



**Corner Soap Dish**

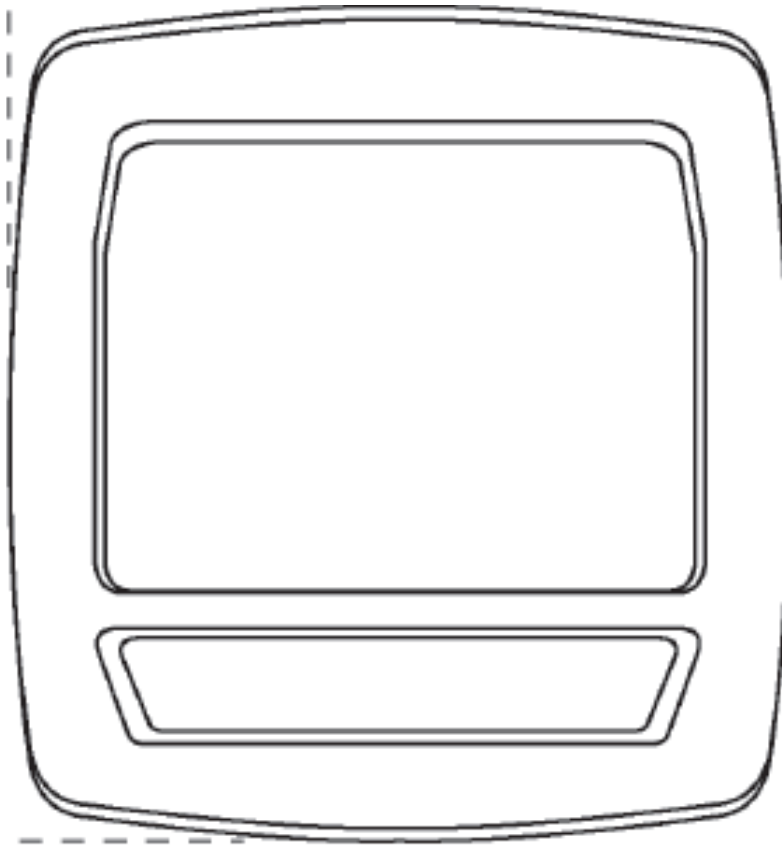
**8-1/8" x 8-1/8"**



## Specifications

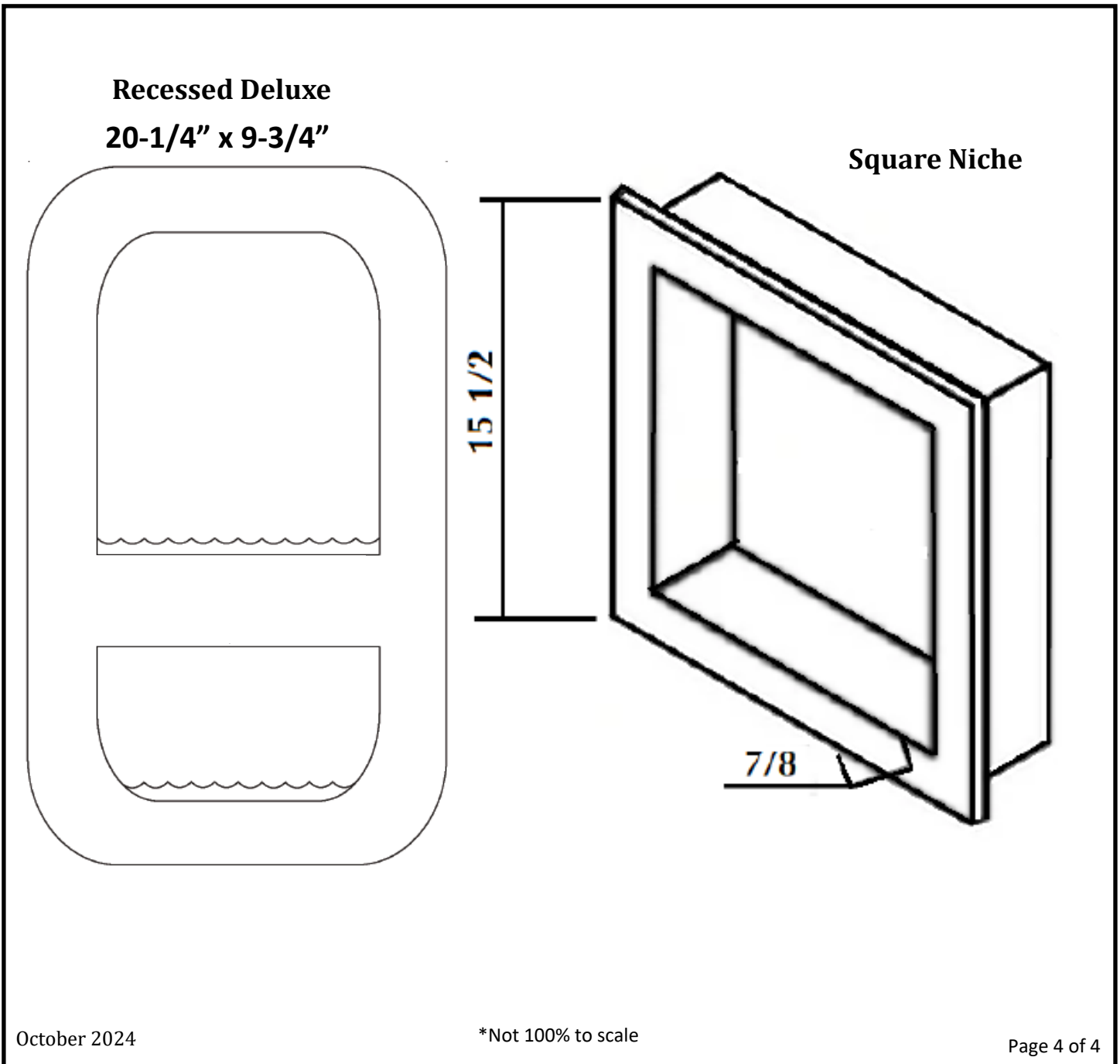
### Shower Caddy Size Comparison\* (continued)

**Recessed Large Diamond**  
**19-1/2" x 17"**



## Specifications

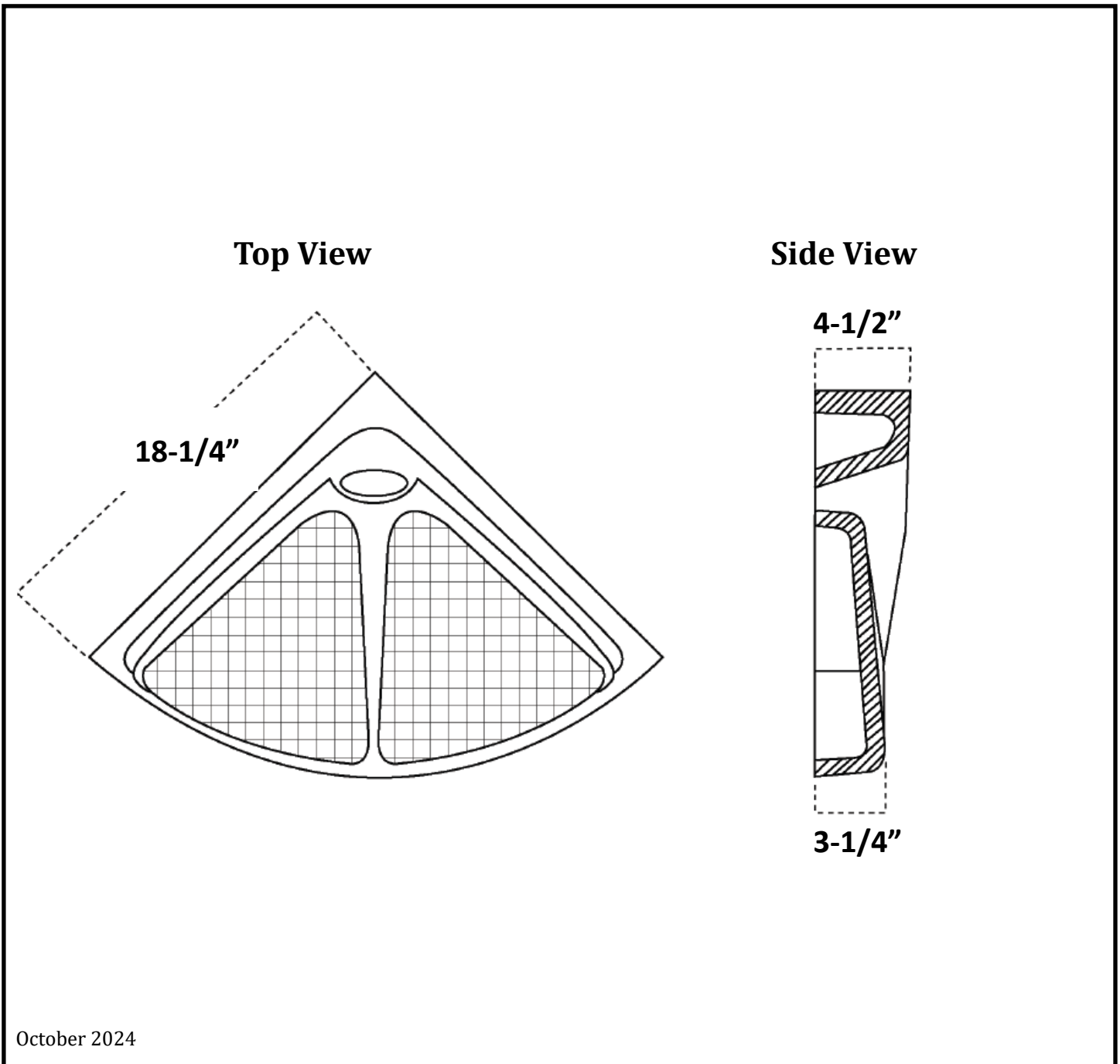
### Shower Caddy Size Comparison\* (continued)





## Specifications

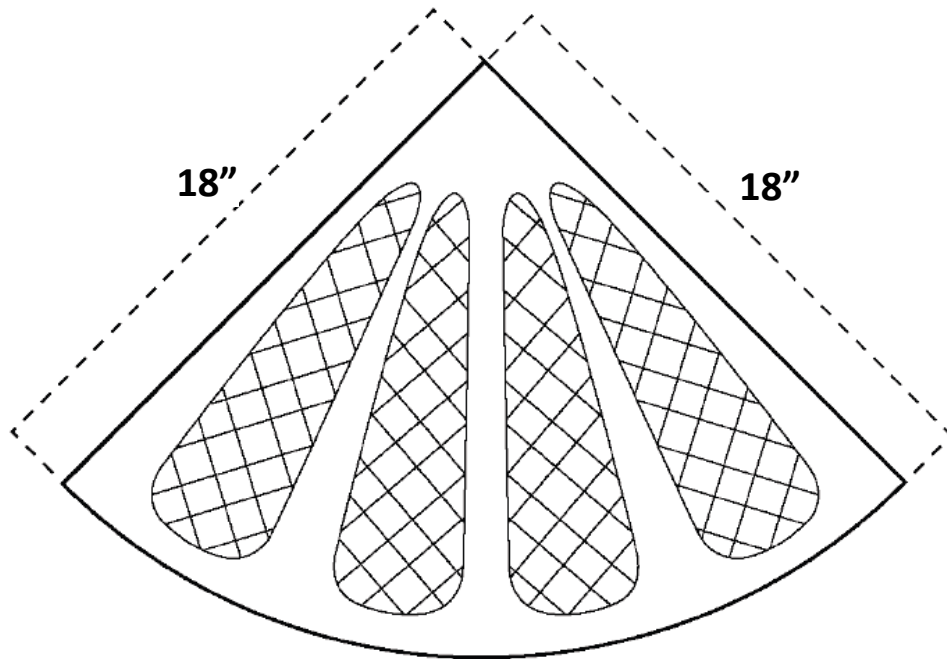
### Corner Shower Seat with Flange



October 2024

## Specifications

### Corner Shower Seat B



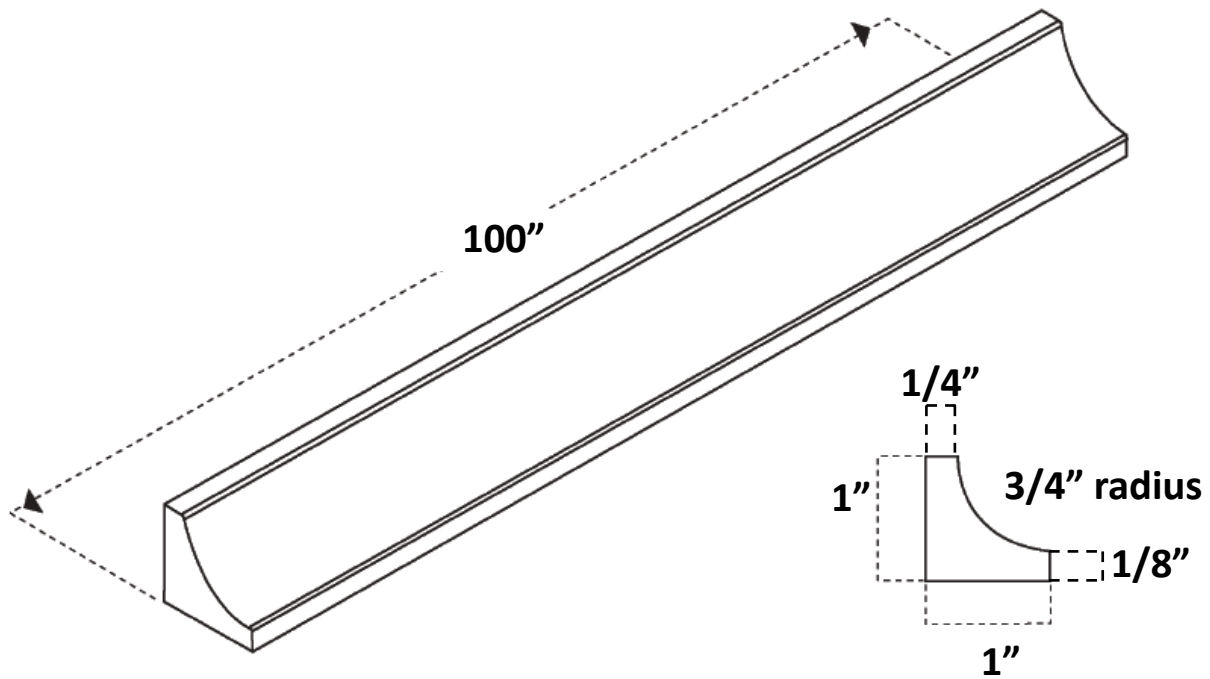




## **Shower Moldings and Accents**

## Specifications

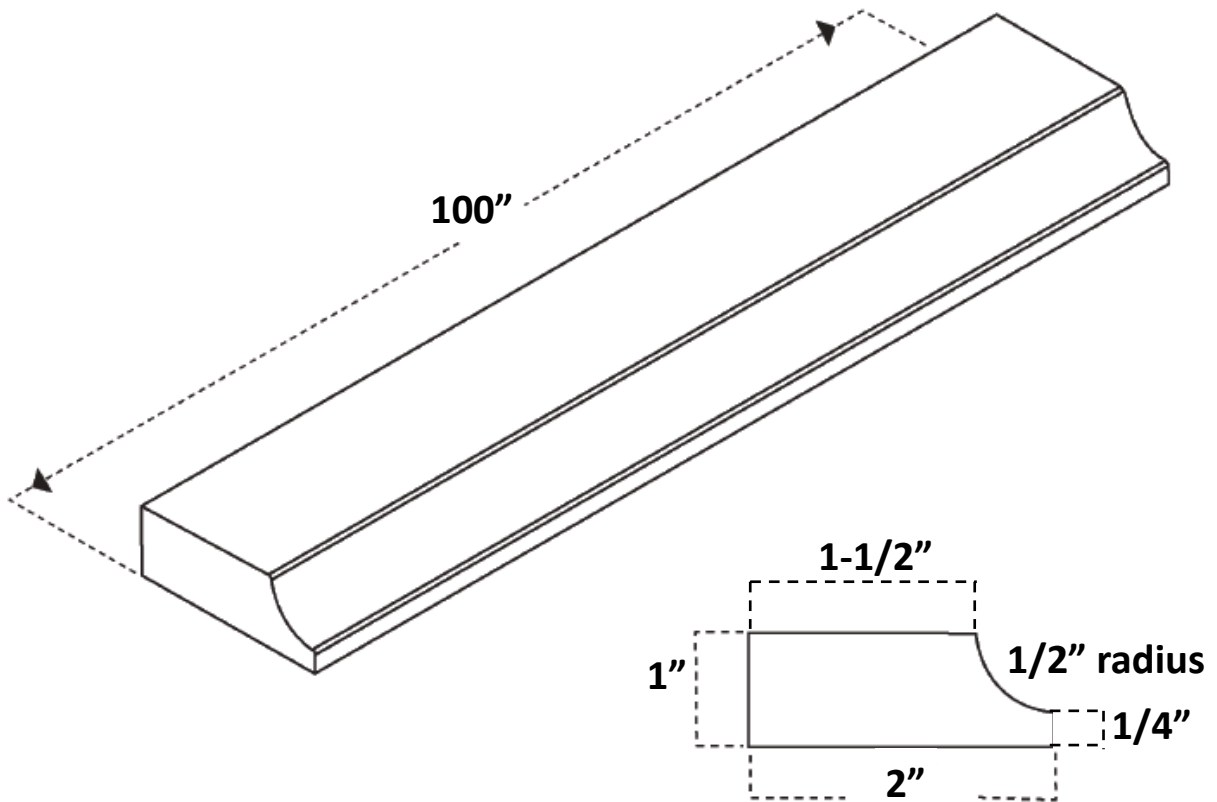
### Inside Corner Molding



October 2024

# Specifications

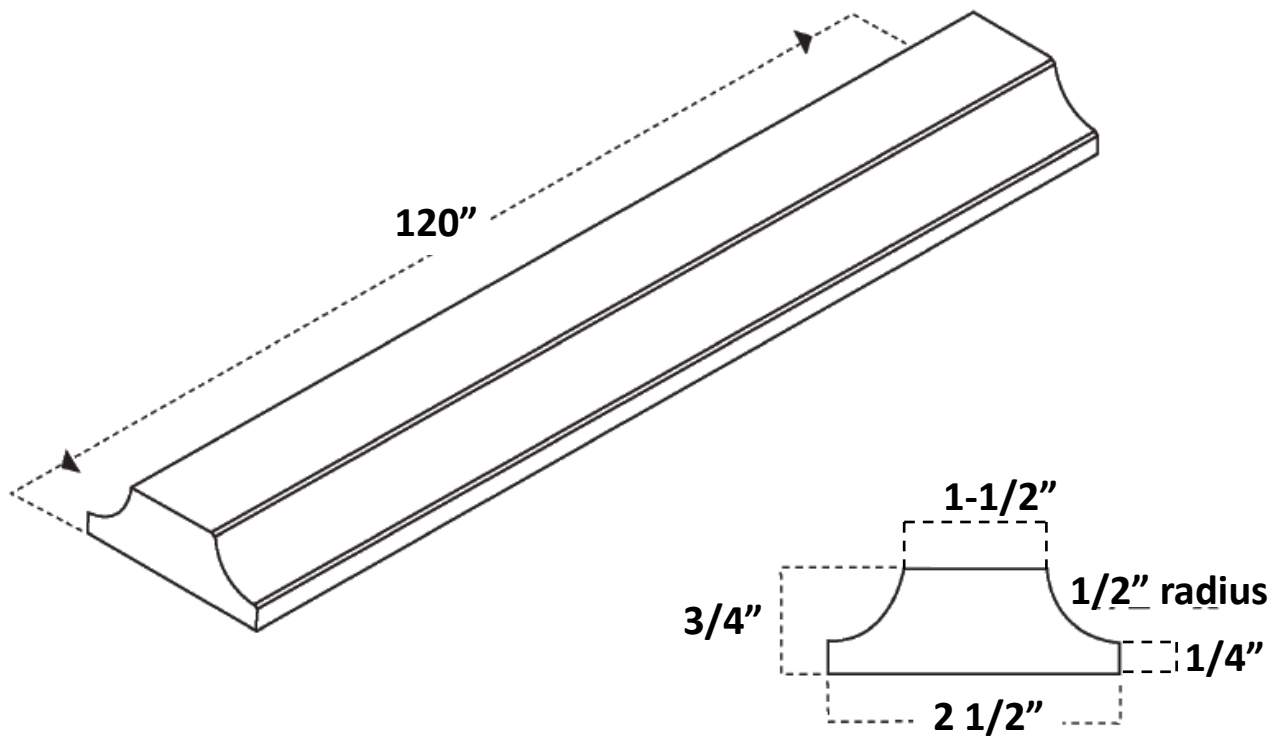
## Single Edge Molding



October 2024

## Specifications

### Batten Strip Molding

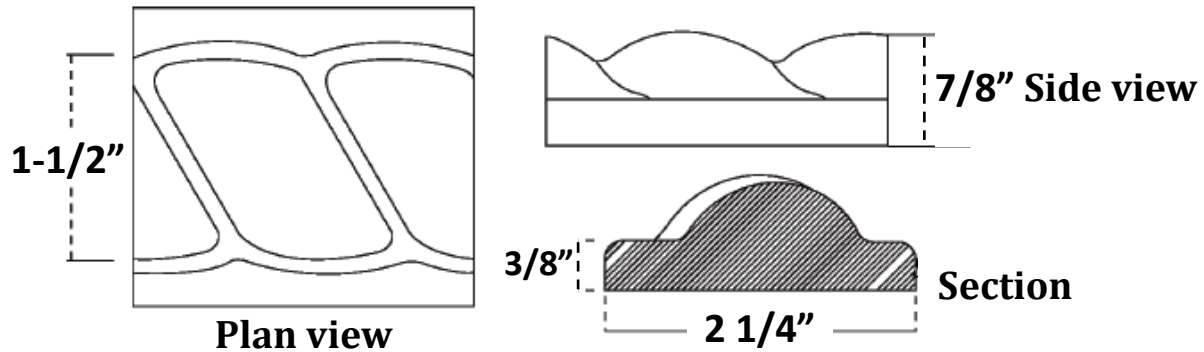


October 2024

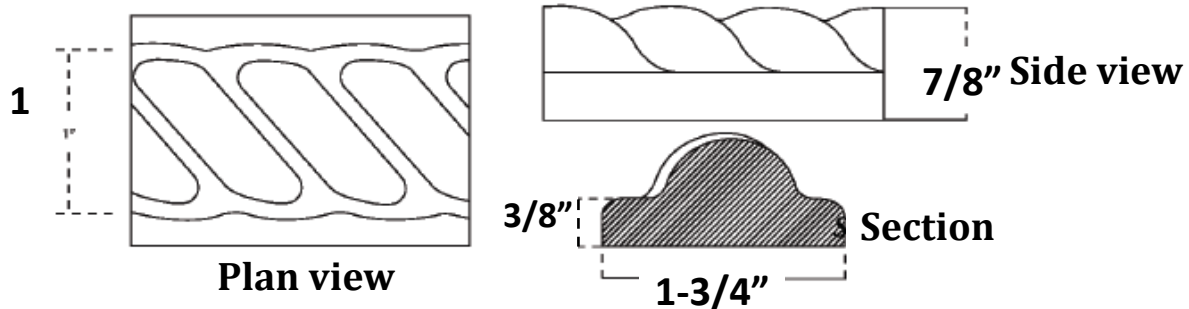
## Specifications

### Rope Molding

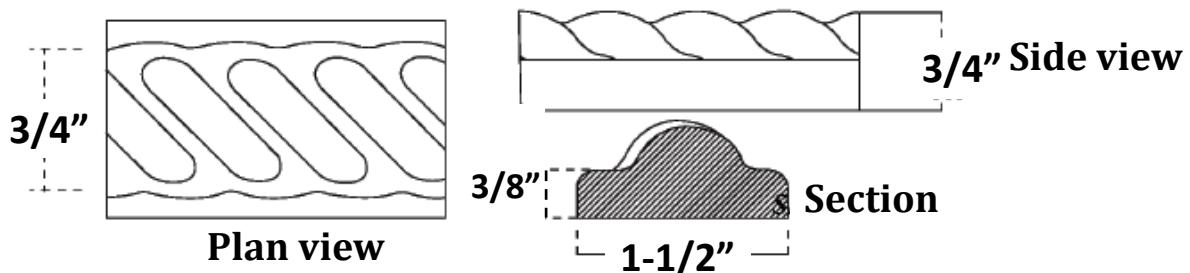
**Item code: TRM-RP-A / Style A / 2-1/4" x 96"**



**Item code: TRM-RP-B / Style B / 1-3/4" x 96"**



**Item code: TRM-RP-C / Style C / 1-1/2" x 96"**







## **Cultured Marble and Cultured Granite Care and Maintenance**

### **Cleaning:**

Cultured Marble and Cultured Onyx provide extremely durable, nonporous surfaces which resist staining. Routine cleaning with a soft sponge or cloth, or a nonabrasive aerosol foam cleaner, is all that is normally needed to give many years of trouble-free services. Products such as “Soft Scrub” or “Comet” are not recommended, as they tend to reduce the shine of the gel coat, and leave small scratches.

### **Polishing:**

To maintain luster and make cleaning easier, periodic applications of paste wax or products like “Gel Gloss” may be applied. Take care in using a clean, soft cloth for both applying the wax and polishing the top. “Gel Gloss” can be purchased at home centers and plumbing supply stores that sell cultured marble.

### **Removing Scratches:**

Mild abrasives such as automotive polishing compound, or baking soda, will remove simple scratches and stains. After using a polishing compound, if the scratches are still visible, try using 600 grit wet/dry sand paper, lightly rubbing at the area. To sand as flat as possible, try using a small block of wood with the sand paper around it, this prevents from putting any type of indentation in the surface by using your hands, and allows for more even sanding. At Virginia Marble we use air powered disc sanders and orbital buffers for the volume of sanding and buffing that we do. A soft terry cloth will work just as well.

### **Cutting or Drilling:**

Masonry blades are recommended for cutting tops or panels made of cultured marble. Always cut from the rough or unfinished side of the marble. Once the material has been cut, the edge cannot be refinished, so work with an edge that will be concealed on the finished product. Drilling requires the same steps as cutting.

## **Cultured Marble and Cultured Granite Care and Maintenance (continued)**

### **Gel Coat Repair Kit:**

Virginia Marble is willing to provide a gel coat repair kit to any customer that will include instructions and the products needed. If you should chip the gel coat surface, this can be fixed with little effort. However, a chip that goes beyond the surface of the gel coat and into the matrix of the top will be a larger repair. The repair kit is specifically for patching the gel coat; other materials will be needed to repair a deeper chip and should be done professionally.



## Cultured Marble and Cultured Granite Warranty

Seller warrants to its immediate purchasers that all new products supplied by seller are free from defects in workmanship and materials used in manufacturing of the same, when installed and used in accordance with seller's recommended procedures. Seller's obligation under this warranty is limited to repairing or replacing, as seller may elect, any product sold by seller which shall be returned to seller's place of business, with transportation charges prepaid, and as to which examination shall disclose to seller's satisfaction to have been thus defective, provided that such products shall be so returned no later than thirty-six (36) months from seller's shipment of same to purchaser. Such defective product shall be repaired or replaced at seller's place of business.

The seller will not provide, or pay the cost of removal of defective products, installations or repaired or replaced products, or third-party transportation of either repaired, replaced or defective products. The warranty must provide any pay for such items.

This warranty shall not apply, and seller have no liability with respect (1) to the removal or reinstallation of warranted products; (2) to any product installed or used in any way so as to have affected adversely such product; (3) damages to products while in transit after leaving seller's place of business; (4) cracks or chips in surface unless caused by defects in workmanship or material; (5) slight imperfections, warpage and shade variation in products; or (6) any transportation or cartage charges.

Close inspection of synthetic marble may reveal minor surface irregularities and warpage, color variation, small particles of foreign matter and other conditions commonly encountered with products of nature such as stone, marble, granite, etc.

This warranty is in lieu of all warranties, express or implied, including but without limitation, war-

## **Cultured Marble and Cultured Granite Standard Repair Procedure**

For repairing minor chips, gouges, and surface scratches, use the materials supplied in your repair kit and proceed as follows.

1. If repairing a chip or deep scratch where matrix is exposed, use a Dremel tool or like product to smooth down rough or sharp edges and to smooth surface of aggregate in the chip.
2. Mix a small amount of gel coat (approximately ½" deep in a 6oz. Dixie cup) and add 4-8 drops of hardener. Warm temperature >68 degrees 4 drops, Cool temperature <68 degrees 4-8 drops.
3. Fill damaged area with gel coat (adding white pigment provided if necessary, to match color) until application of gel coat is slightly higher than the surrounding surface. For granite repairs, always specify color and use same procedures.
4. While gel coat is still wet, place a piece of wax paper over the area of repair and very lightly press into gel coat, making sure the area of repair is still slightly higher than surrounding surface. Note: Wax paper should be just about 1 ½ times the size of the repair. Be careful not to trap air pockets when applying wax paper.
5. After curing of gel coat in repaired area (about 10-12 hours) carefully wet-sand the repaired area using a sanding block and #400 grit paper until almost flush with the surrounding surface.
6. Change to #600 grit paper and wet-sand the repaired area until it is flush with the surrounding surface.
7. Change to #1200 grit paper and wet-sand the repaired area until it is perfectly smooth.
8. Use buffing compound and a clean cloth or towel to restore original sheen.

Notes: Light surface scratches can often be polished out with an electric buffer. Use clean water each time you wet-sand, use a sanding block on flat surfaces, electric buffer may be used in final polishing, but be careful not to build up excessive heat as it can burn the surface of the top.

Repair Kit Contains: Clear Gel Coat, Hardener, Color, Polishing Compound, Tongue Depressors.

October 2024



## **Order Forms**



**CULTURED MARBLE ORDER FORM**

send completed order form to orders@virginiamarble.com

<b>Request Date:</b>		<b>Customer #:</b>		<b>Quote #</b>	
<b>Customer Information</b>			<b>Ship To Information</b>		
<b>Contact</b>					
<b>Phone</b>					
<b>Email</b>					
<b>Company</b>					
<b>Address 1</b>					
<b>Address 2</b>					
<b>City, ST Zip</b>					

If you were provided with a quote, please include the quote # and/or attach the quote to your order.

**Comments or special instructions:** \_\_\_\_\_

New customer

Job Name/PO #: \_\_\_\_\_

Quantity	Bowl Type / Edge Profile	Length	Depth	Color	Bowl Qty	Offsets	Drills	Endsplash	Finished Ends	Notes (or diagram reference)

Please provide drawing/diagram for three or more bowls, custom universal shower pan, or other custom features not included in diagram sheets.



Company:

Job Name/PO#:

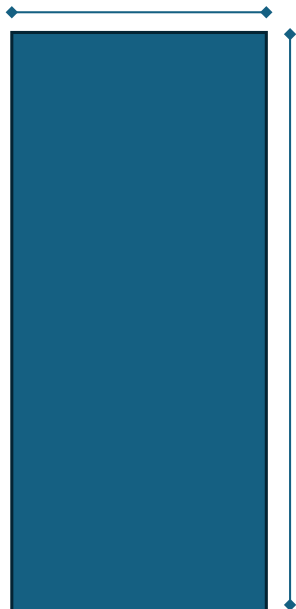
Diagram F-1

Panel Type

Left Wall

Quantity  Color

Width

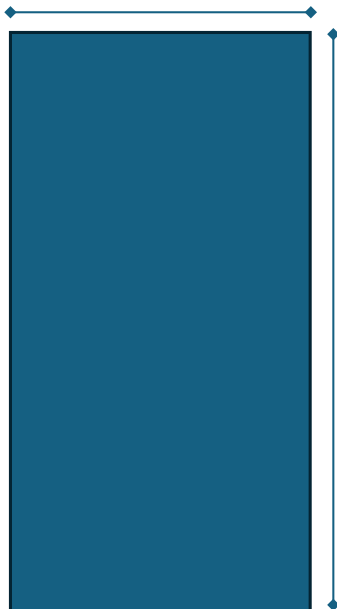


Height

Back Wall

Quantity  Color

Width

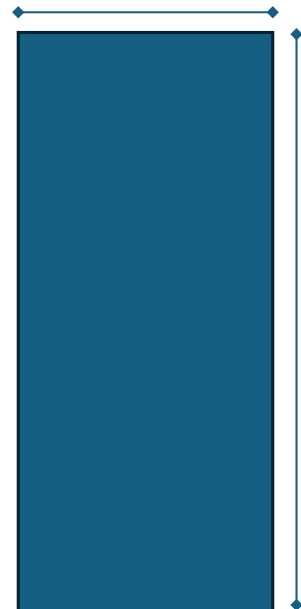


Height

Right Wall

Quantity  Color

Width



Height

Room

Notes

You must complete page 1.