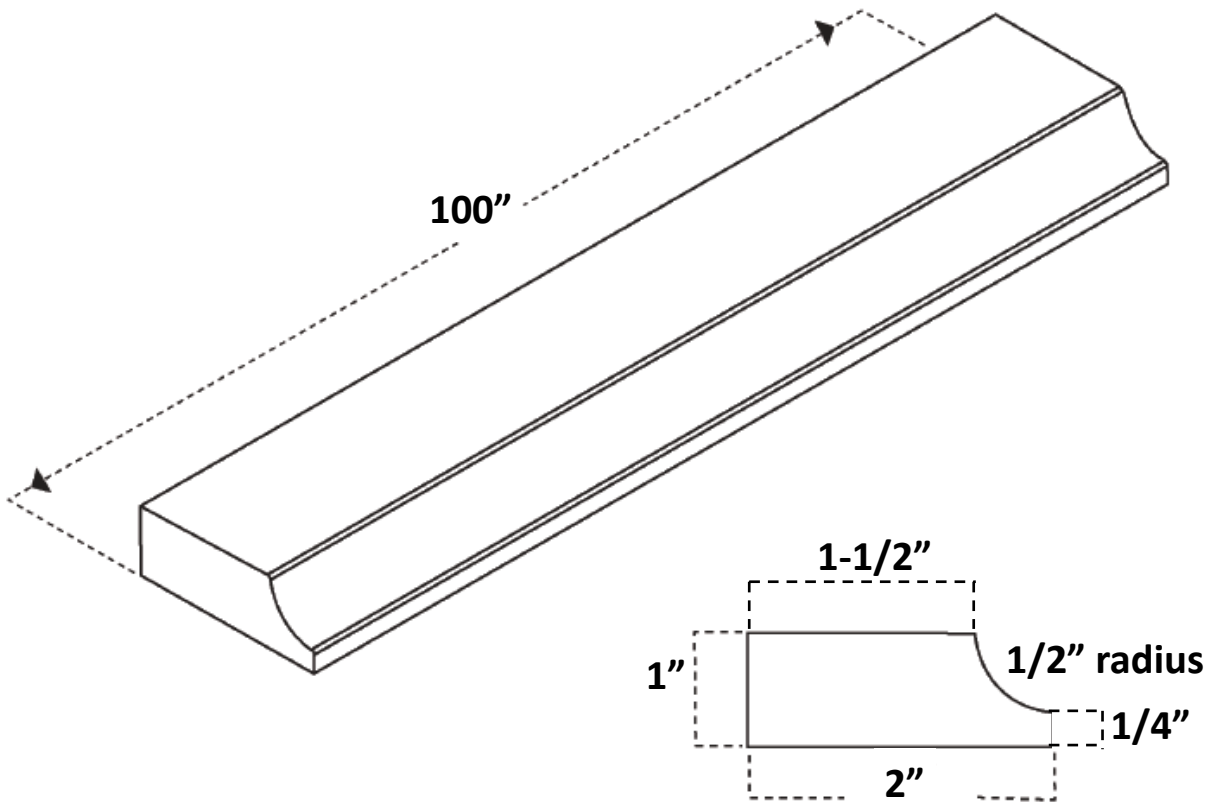


Specifications

Single Edge Molding



October 2024