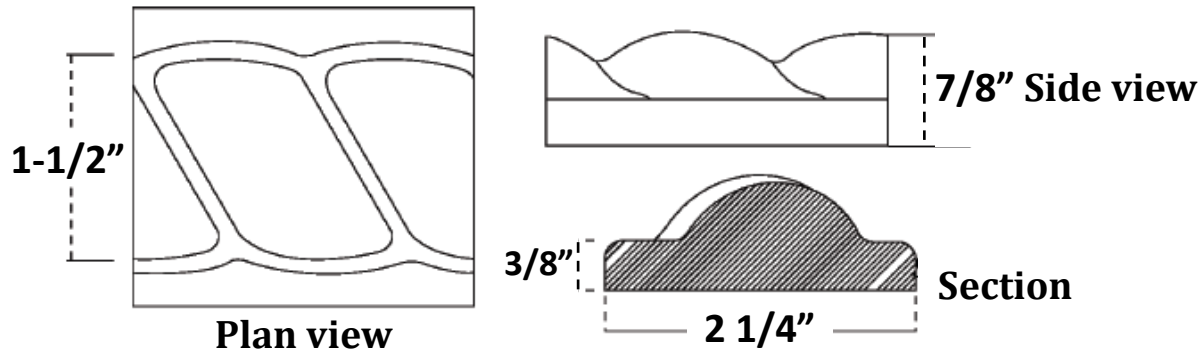


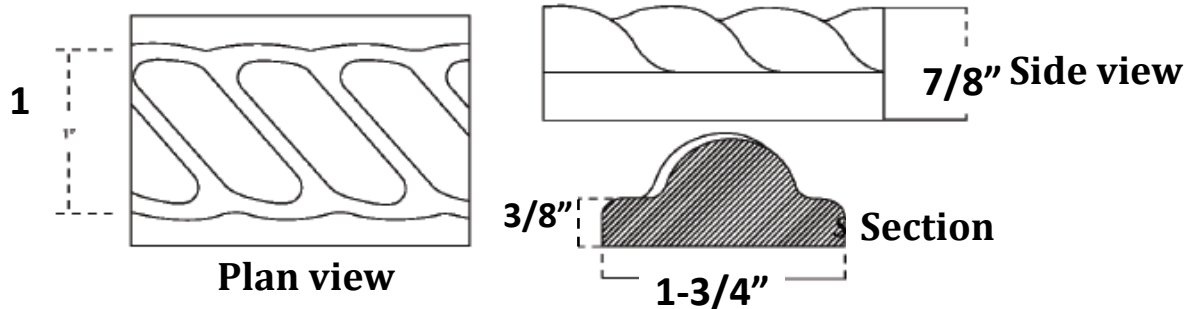
Specifications

Rope Molding

Item code: TRM-RP-A / Style A / 2-1/4" x 96"



Item code: TRM-RP-B / Style B / 1-3/4" x 96"



Item code: TRM-RP-C / Style C / 1-1/2" x 96"

