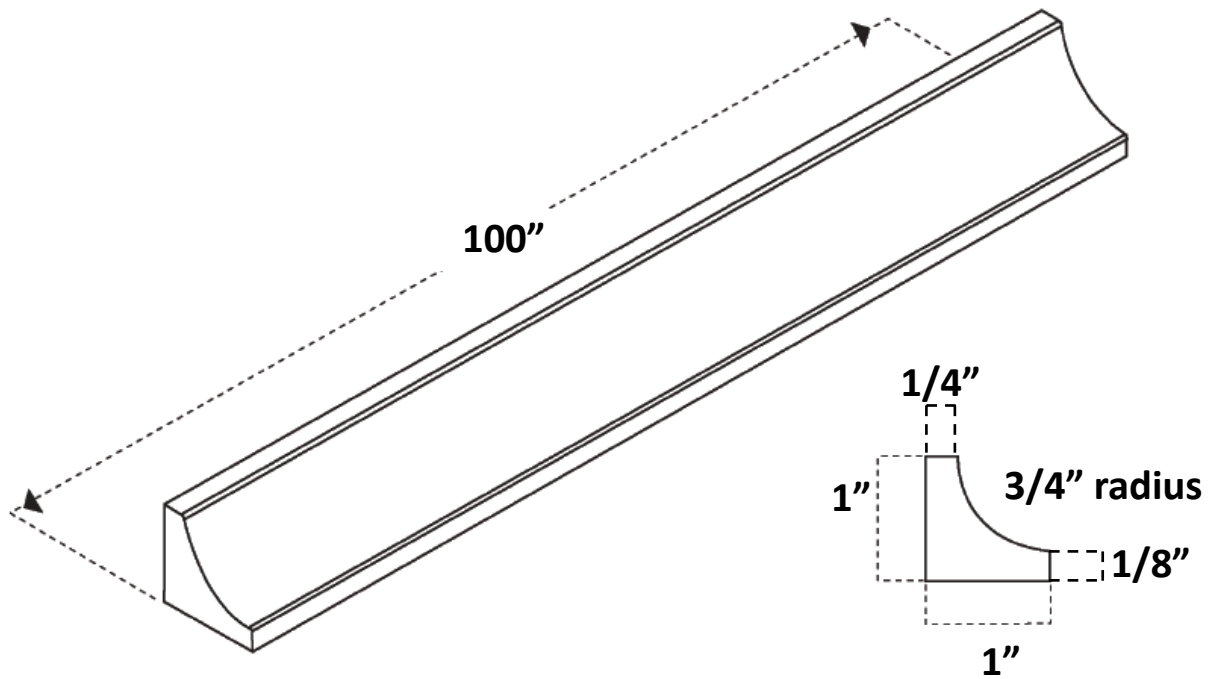


Specifications

Inside Corner Molding



October 2024