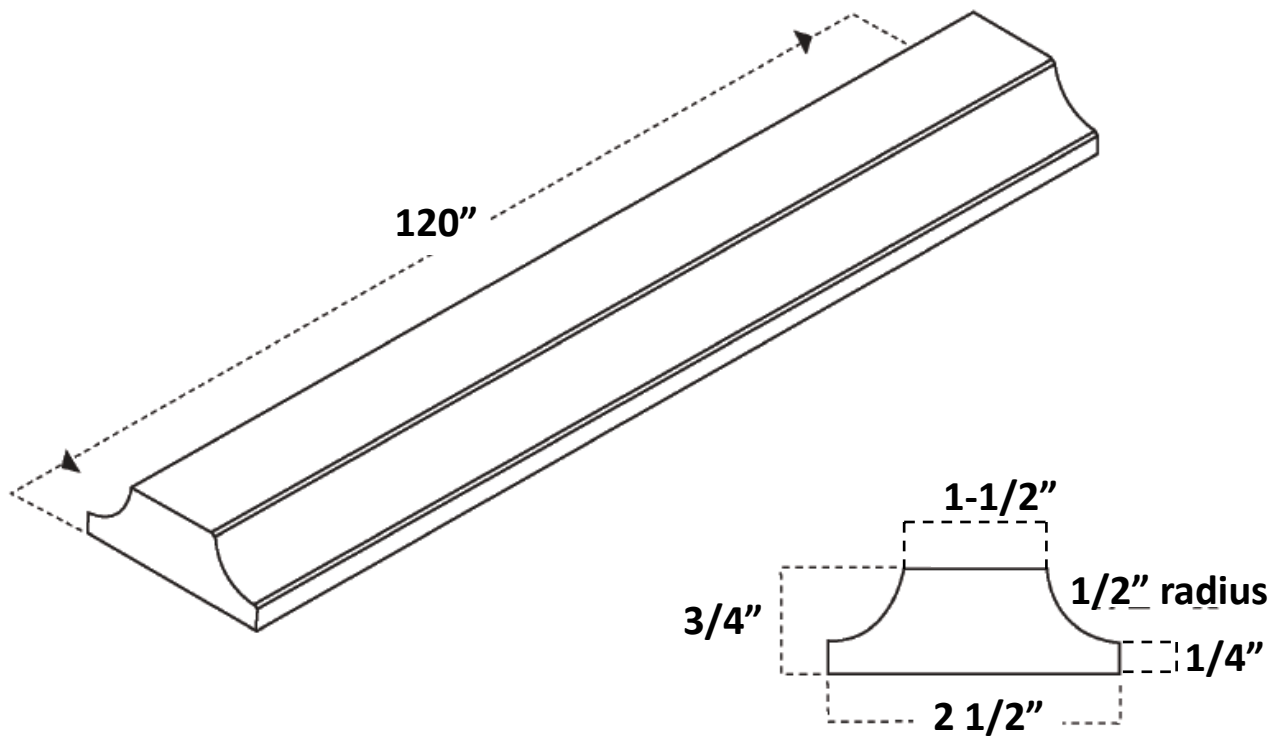


Specifications

Batten Strip Molding



October 2024