

## Specifications

### 1053-10: 60" x 36" Low Profile Walk-In Shower Pan

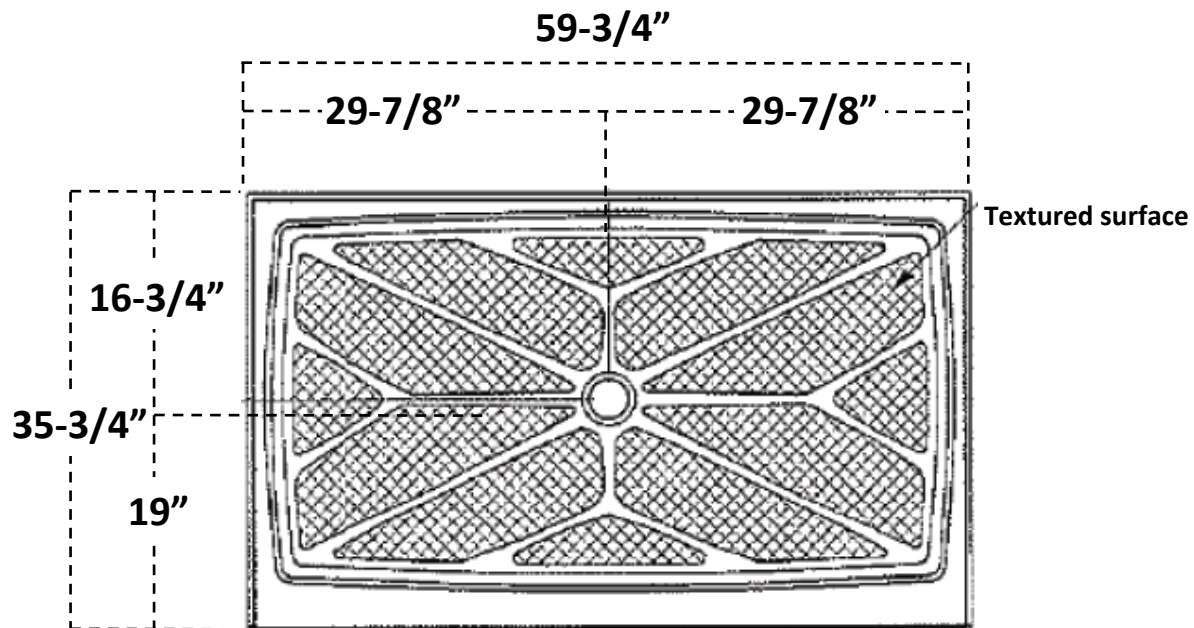
Threshold: 1-1/2" tall x 2-1/4" thick

Water dam, sides and back: 1/2" tall x 1/4" thick

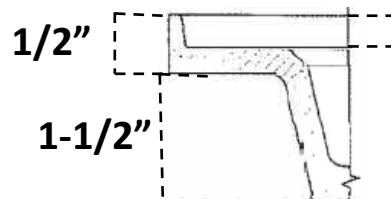
Overall height including water dam: 2"

Drain diameter: 3 1/2"

#### Top view



#### Water dam on sides and back



October 2024