

Specifications

1053-08: 48" x 36" Low Profile Walk-In Shower Pan

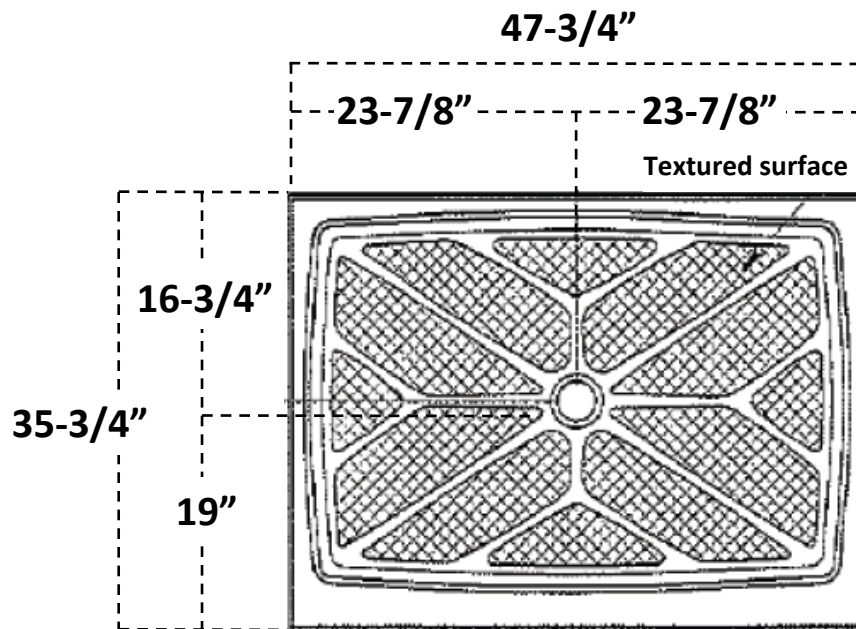
Threshold: 1-1/2" tall x 2-1/4" thick

Water dam, sides and back: 1/2" tall x 1/4" thick

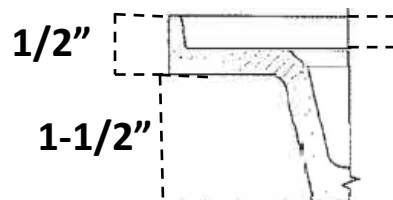
Overall height including water dam: 2"

Drain diameter: 3 1/2"

Top view



**Water dam on
sides and back**



October 2024