

Specifications

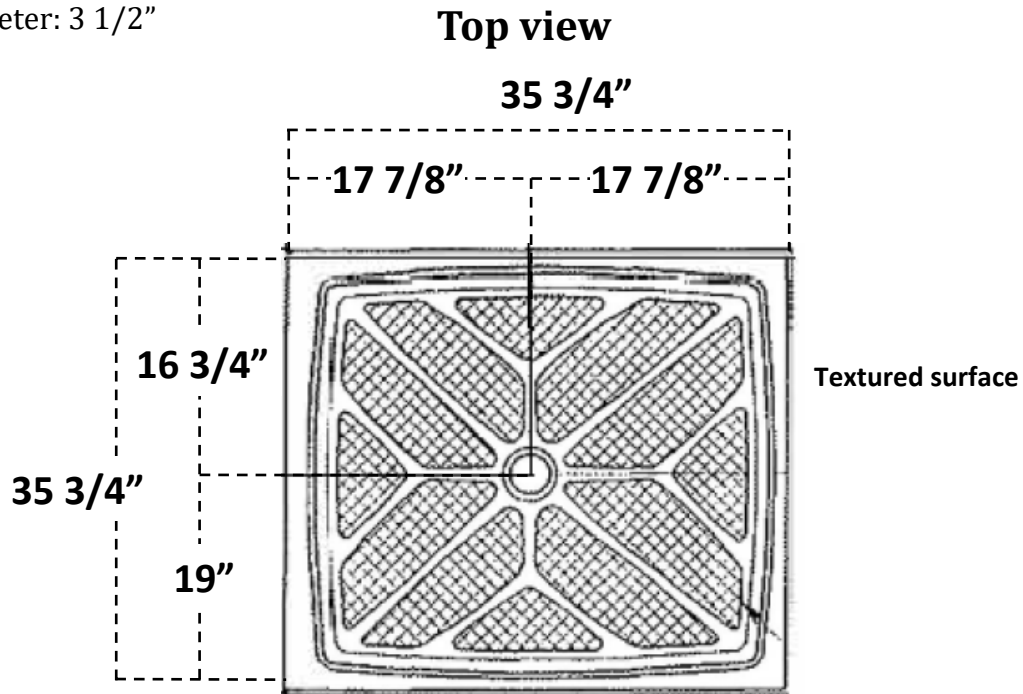
1053-06: 36" x 36" Low Profile Walk-In Shower Pan

Threshold: 1 1/2" tall x 2 1/4" thick

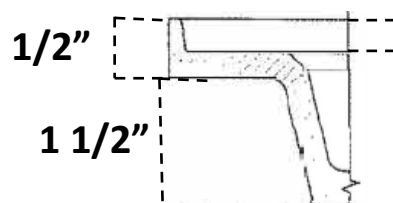
Water dam, sides and back: 1/2" tall x 1/4" thick

Overall height including water dam: 2"

Drain diameter: 3 1/2"



Water dam on sides and back



October 2024