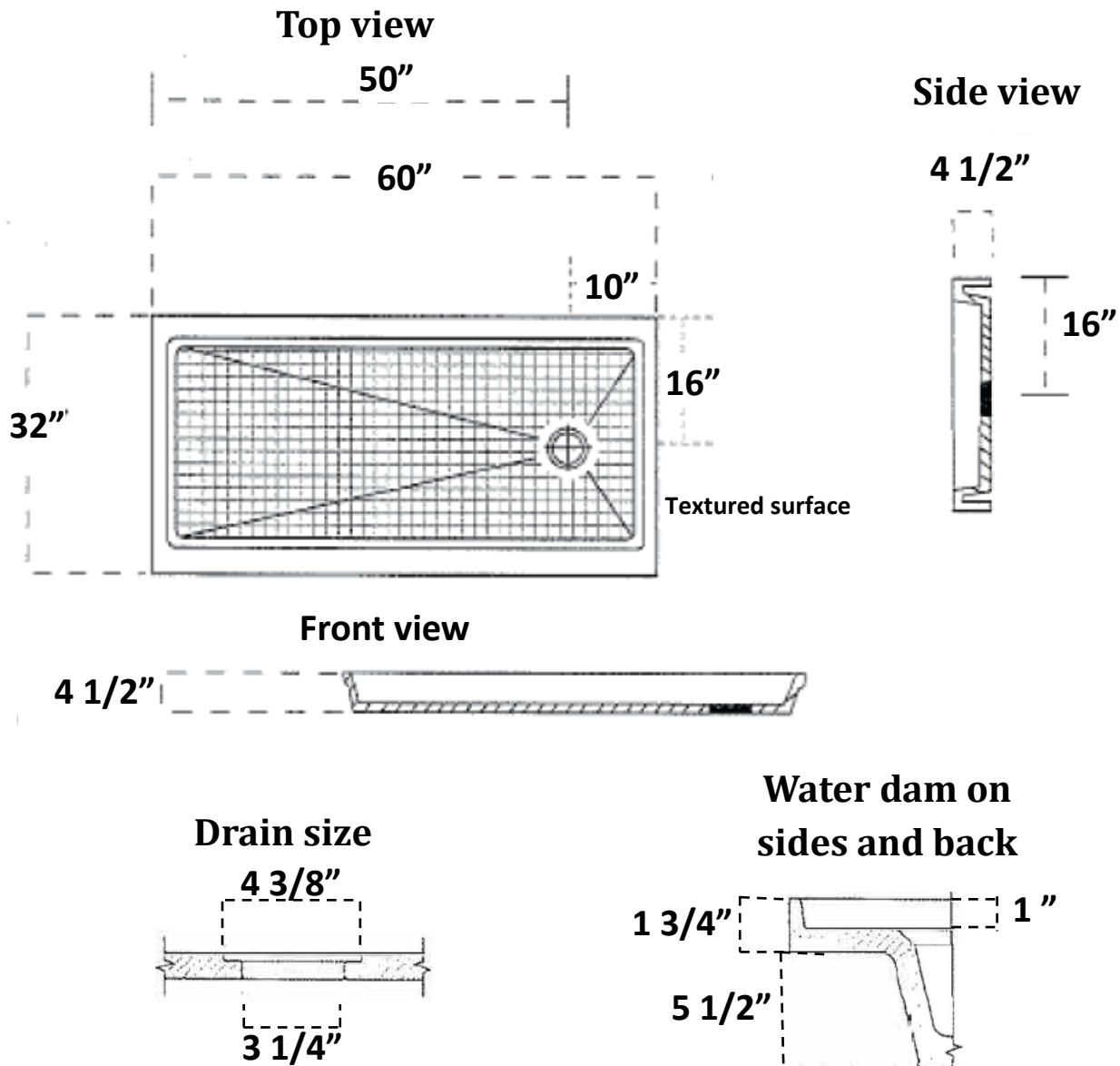


## Specifications

### 1050-06: 60x32 End Drain Replacement Pan

### 1050-06W: 60x32 End Drain Replacement Pan with Water Dam

Fiberglass water dam is attached by Virginia Marble on 3 sides (32", 60", 32") to serve as tile flange. Water dam increases pan size by 1/4"-1/2".



October 2024