



VIRGINIAMARBLE
M A N U F A C T U R E R S , I N C

Product Information and Specifications

Bowls, Vanities, and Edge Profiles

September 2024

1201 Fifth Avenue, Kenbridge, VA 23944 (o) 434.676.3204 (f) 434.676.3299 virginiamarble.com

Table of Contents



Cultured Marble Options	4
Cultured Marble and Cultured Granite Standard Bowl and Vanity Options	5
Cultured Marble and Cultured Granite Custom Bowl and Vanity Options	8
Natural Stone and Quartz Options	9
Natural Stone and Quartz Standard Options	10
Natural Stone and Quartz Custom Options	11
Colors and Materials	12
Cultured Marble	13
Cultured Granite	14
Natural Stone	15
Quartz	16



Cultured Marble Standard Bowls Spec Sheets	17
LO: Large Oval Bowl	18
SO: Small Oval Bowl	20
SO1: Mini Oval Bowl	22
RO: Large Recessed Oval Bowl	24
RO1: Small Recessed Oval Bowl	26
Cultured Marble Custom Bowls Spec Sheets	29
RD: Large Recessed Deluxe Bowl	30
RD1: Small Recessed Deluxe Bowl	32
RR: Large Recessed Rectangle	34
RR1: Small Recessed Rectangle	36
VO: Venice Oval Bowl	38
NSB: Super Bowl	40
WV: Large Wave Bowl	42
WV1: Small Wave Bowl	44
BAR: Small Bar Sink	46
BARLG: Large Bar Sink	48
ADA Bowl	50
Drop-in and Vessel Bowls	53
Drop-in Oval Bowl with Soap Dish	54
Drop-in Round Bowl with Soap	55
16" Cone Vessel Bowl	56
Tri-Level Lotus Vessel Bowl	57

Table of Contents



Pedestals	59
Fleur De Lis Pedestal	60
Monarch Pedestal	61
Undermount Porcelain Bowls	62
Undermount Large Oval Porcelain Bowl	63
Undermount Small Oval Porcelain Bowl	64
Undermount Rectangular Porcelain Bowl	65
Standard Edge Profiles	66
Plain and Dripless Edges	67
Custom Edge Profiles	68
Beveled Edge	69
Bullnose Edge	70
Ogee Edge	71
Pencil Edge	72
Custom Edge Profiles Side by Side Comparison	73
Cultured Marble and Cultured Granite Installation	74



Care and Maintenance	80
Cultured Marble and Cultured Granite	81
Cultured Marble and Cultured Granite Standard Repair	83
Natural Stone	84
Quartz	88
Warranties	92
Cultured Marble and Cultured Granite	93
Natural Stone and Quartz	94
Information Needed to Place an Order	95
Cultured Marble and Cultured Granite	96
Natural Stone and Quartz	97
Order Forms	98
Cultured Marble and Granite	99
Natural Stone and Quartz	107



Cultured Marble Options

Cultured Marble and Cultured Granite Standard Bowl and Vanity Options

Length	Item Codes	Bowl Type and Edge Profile	Vanity Depth				Single Bowl Offsets	Double Bowl Offsets
			22"	22 1/2"	19"	17"		
19"	SO1DE	Mini Oval Dripless Edge				x	Center only	Single bowl only
25"	RODE	Large Recessed Oval, Dripless Edge	x				Center only	Single bowl only
	ROPE	Large Recessed Oval, Plain Edge	x	x				
	LOPE	Large Oval, Plain Edge	x					
	RO1PE	Small Recessed Oval, Plain Edge			x			
	SODE	Small Oval, Dripless Edge			x			
	SO1DE	Mini Oval, Dripless Edge				x		
28"	RODE	Large Recessed Oval, Dripless Edge	x				Center only	Single bowl only
	ROPE	Large Recessed Oval, Plain Edge	x	x				
	LOPE	Large Oval, Plain Edge	x					
31"	RODE	Large Recessed Oval, Dripless Edge	x				Center only	Single bowl only
	ROPE	Large Recessed Oval, Plain Edge	x	x				
	LOPE	Large Oval, Plain Edge	x					
	RO1PE	Small Recessed Oval, Plain Edge			x			
	SODE	Small Oval, Dripless Edge			x			
	SO1DE	Mini Oval, Dripless Edge				x		
34"	RODE	Large Recessed Oval, Dripless Edge	x				Center only	Single bowl only
	ROPE	Large Recessed Oval, Plain Edge	x	x				
	LOPE	Large Oval, Plain Edge	x					
37"	RODE	Large Recessed Oval, Dripless Edge	x				Center only	Single bowl only
	ROPE	Large Recessed Oval, Plain Edge	x	x				
	LOPE	Large Oval, Plain Edge	x					
	RO1PE	Small Recessed Oval, Plain Edge			x			
	SODE	Small Oval, Dripless Edge			x			
	SO1PE	Mini Oval Plain Edge				x		
43"	RODE	Large Recessed Oval, Dripless Edge	x				Center only	Single bowl only
	ROPE	Large Recessed Oval, Plain Edge	x	x				
	LOPE	Large Oval, Plain Edge	x					
	RO1PE	Small Oval, Plain Edge			x			
	SODE	Small Oval, Dripless Edge			x			

Cultured Marble and Cultured Granite Standard Bowl and Vanity Options (continued)

Length	Item Codes	Bowl Type and Edge Profile	Vanity Depth				Single Bowl Offsets	Double Bowl Offsets
			22"	22 1/2"	19"	17"		
49"	RODE	Large Recessed Oval, Dripless Edge	x				Center L or R 12 1/2"	L & R 12 1/2"
	ROPE	Large Recessed Oval, Plain Edge	x					
	LOPE	Large Oval, Plain Edge	x					
	ROPE	Large Recessed Oval, Plain Edge		x			Center only	
	RO1PE	Small Recessed Oval, Plain Edge			x			
	SODE	Small Oval, Dripless Edge			x			
55"	RODE	Large Recessed Oval, Dripless Edge	x				Center only	L & R 13 1/2"
	ROPE	Large Recessed Oval, Plain Edge	x					
	LOPE	Large Oval, Plain Edge	x					
	RO1PE	Small Recessed Oval, Plain Edge			x		Single bowl only	
	SODE	Small Oval, Dripless Edge			x			
61"	RODE	Large Recessed Oval, Dripless Edge	x				Center L or R 15 1/2"	L & R 12 1/2" and 15 1/2"
	ROPE	Large Recessed Oval, Plain Edge	x					
	LOPE	Large Oval, Plain Edge	x					
	ROPE	Large Recessed Oval, Plain Edge		x			Center only	
	RO1PE	Small Recessed Oval, Plain Edge			x			
	SODE	Small Oval, Dripless Edge			x			
73"	RODE	Large Recessed Oval, Dripless Edge	x				Center L or R 18 1/2"	L & R 12 1/2", 15 1/2", and 18 1/2"
	ROPE	Large Recessed Oval, Plain Edge	x					
	LOPE	Large Oval, Plain Edge	x					
	ROPE	Large Recessed Oval, Plain Edge			x		Center only	
	SODE	Small Oval, Dripless Edge			x			
85"	RODE	Large Recessed Oval, Dripless Edge	x				n/a	L & R 15 1/2", 18 1/2", and 21 1/2"
	ROPE	Large Recessed Oval, Plain Edge	x					
	LOPE	Large Oval, Plain Edge	x					



Cultured Marble and Cultured Granite Standard Bowl and Vanity Options (continued)

All vanities include integral 4" backsplash. Exception for 17" deep vanities which have 3" backsplash.

Vanities and backsplashes are 3/4" thick.

All vanity tops are made with 4" faucet spread and center bowl unless otherwise specified.

Custom vanity depths 18-25"

Custom vanity lengths up to 120"

Flat stock up to 144"

Dimensional variance of plus/minus 1/4"

Template required for all angle tops

Drawing required for 3 or more bowls.

These options are created using our standard production process. Items may not be in on hand inventory. Call for availability.

Cultured Marble and Cultured Granite Custom Bowl and Vanity Options

Item Code	Bowl Type	Minimum Vanity Depth	Minimum Off-set	Minimum Space Between Double Bowls and Smallest Top Length
LO	Large Oval	22"	10"	20"
SO	Small Oval	19"	9 1/2"	19"
SO1	Mini Oval	17"*	9 1/2"	19"
RO	Recessed Oval - large	22"	12 1/2"	25"
RO1	Recessed Oval - small	19"	12"	24"
RD	Recessed Deluxe - large	22"	12 1/2"	25"
RD1	Recessed Deluxe - small	19"	12"	24"
RR	Recessed Rectangle - large	22"	13"	26"
RR1	Recessed Rectangle - small	19"	12 1/2"	25"
VO	Venice Oval - large	22"	13"	26"
NSB	Super Bowl (no soap dish - no overflow)	22"	12"	24"
WV	Wave Bowl - large	22"	12 1/2"	25"
WV1	Wave Bowl - small	19"	12 1/2"	25"
BAR	Bar Sink - small	17"*	7"	14"
BARLG	Bar sink - large	22"	9"	18"
ADA	ADA Bowl	22"	9 1/2"	19"

All vanities include integral 4" backsplash. Exception for 17" deep vanities which have 3" backsplash.

Plain edge and dripless edge vanities and backsplashes (integral and loose) are 3/4" thick.

Vanities with custom edge profiles—beveled, bullnose, ogee, and pencil—are 1 1/2" thick.

Solid color bowl is available for all cultured marble products. Colors available are 031 Bright White, 103 Solid White, and 517 Solid Kohler Biscuit.

September 2024



Natural Stone and Quartz Options

Natural Stone and Quartz Standard Options

Length	Vanity Depth		Single Bowl Offsets	Double Bowl Offsets
	22 1/4"	19 1/4"		
25"	x	x	Center only	n/a
31"	x	x	Center only	n/a
37"		x	Center only	n/a
	x		Center L or R 12 1/2" or 15 1/2"	n/a
43"	x		Center L or R 12 1/2" or 15 1/2"	n/a
		x	Center only	n/a
49"	x		Center L or R 12 1/2", 15 1/2" or 18 1/2"	n/a
		x	Center only	n/a
55"	x		L or R 15 1/2"	n/a
61"	x		Center L or R 15 1/2"	L & R 12 1/2 or 15 1/2"
		x	Center only	n/a
73'	x		n/a	L & R 15 1/2" or 18 1/2"

Includes:

- Loose backsplash
- Undermount oval or rectangular bowl in white or biscuit.
- Eased finish on front edge and both ends.
- Choice of faucet drills: single, 4", 8", or 8" contoured



Natural Stone and Quartz Custom Options (no bowl or cut out)

Available in 19 1/4" or 22 1/4" depth

Lengths available: 25", 31", 37", 43", 49", 61", 73", 87", and 108". Other lengths are available for the price of the next larger size listed.

Includes:

- Loose backsplash
- Eased finish on front edge and both ends.
- Choice of faucet drills: single, 4", 8", or 8" contoured

Options and add-ons:

- Angle or radius corner—template required
- Custom cutouts—template required
- Undermount bowls installed or loose
- Install customer supplied bowl
- Finished fourth side
- Drill extra hole (soap dispenser)

Slab only

- Flat, no bowl
- Universal end splashes for 19 1/4" or 22 1/4"
- 4" backsplash material

September 2024



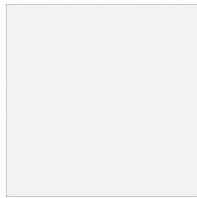
Colors and Material

Cultured Marble

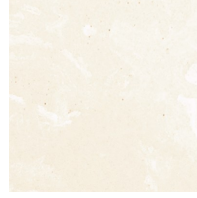
Standard Colors



019: Natural Vein on White



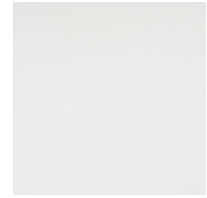
031: Bright White



101: White Vein on White



102: Beige Vein on White



103: Solid White



115: Walnut Vein on White



117: Country Gray Vein on White



120: Classic Cream



122: Platinum Blend



331: Special Parchment Vein on White

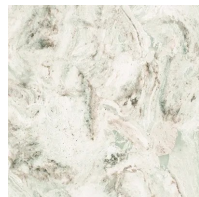


517: Solid Kohler Biscuit

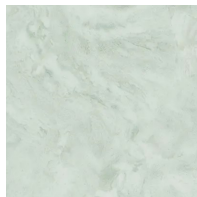


530: White Vein on Kohler Biscuit

Premium Colors



303: Mocha



304: Pewter



306: Classic Gray

Standard edge profile vanities are 3/4" thick.

Custom edge vanities are 1 1/2" thick.

Colors subject to change. Contact us for availability.

Cultured Granite



422:
Cappuccino
Granite



424: Shimmer
Granite



425: Oatmeal
Granite



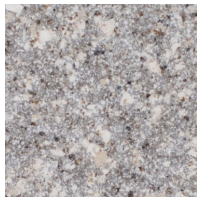
430: Millstone
Granite



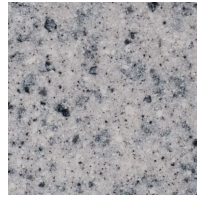
440: Desert
Rock Granite



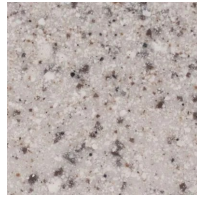
442: Frost
Granite



446: Galaxy
Granite



450: Alpine
Granite



452: Adobe
Granite

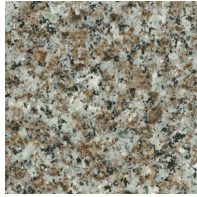
Matching granite color caulk is available for all cultured granite colors.

Standard edge profile vanities are 3/4" thick.

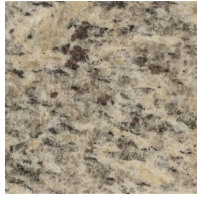
Custom edge vanities are 1 1/2" thick.

Colors subject to change. Contact us for availability.

Natural Stone



841R:
Burlywood



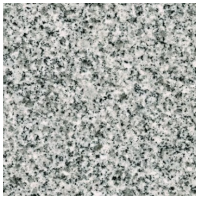
846R: Santa
Cecilia Light



847R: Luna Bai



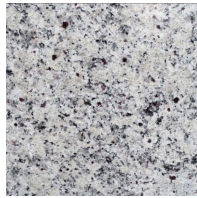
871R: Blanco
Leblon



884R: Majestic
White



885R: New
Caledonia



886R: White
Napoli

Colors available are subject to change. Call for availability.

Quartz

Quartz 1



926R: Lagoon



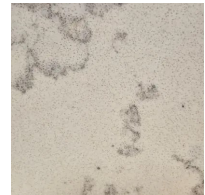
977R: Arctic
White



987R: Frost
White



988R: Ariel

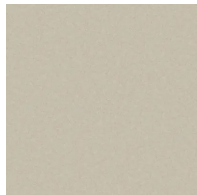


998R: Lyra



999R: Galaxy
White

Quartz 2



922R: Blanco
City



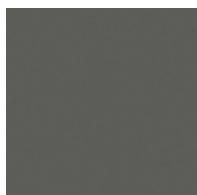
923R: Grey
Expo



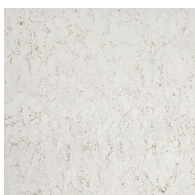
974R: Carrara
Marmi

Colors available are subject to
change. Call for availability.

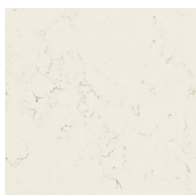
Quartz 3



924R: Cemento



927R: Lusso



971R: Niagara

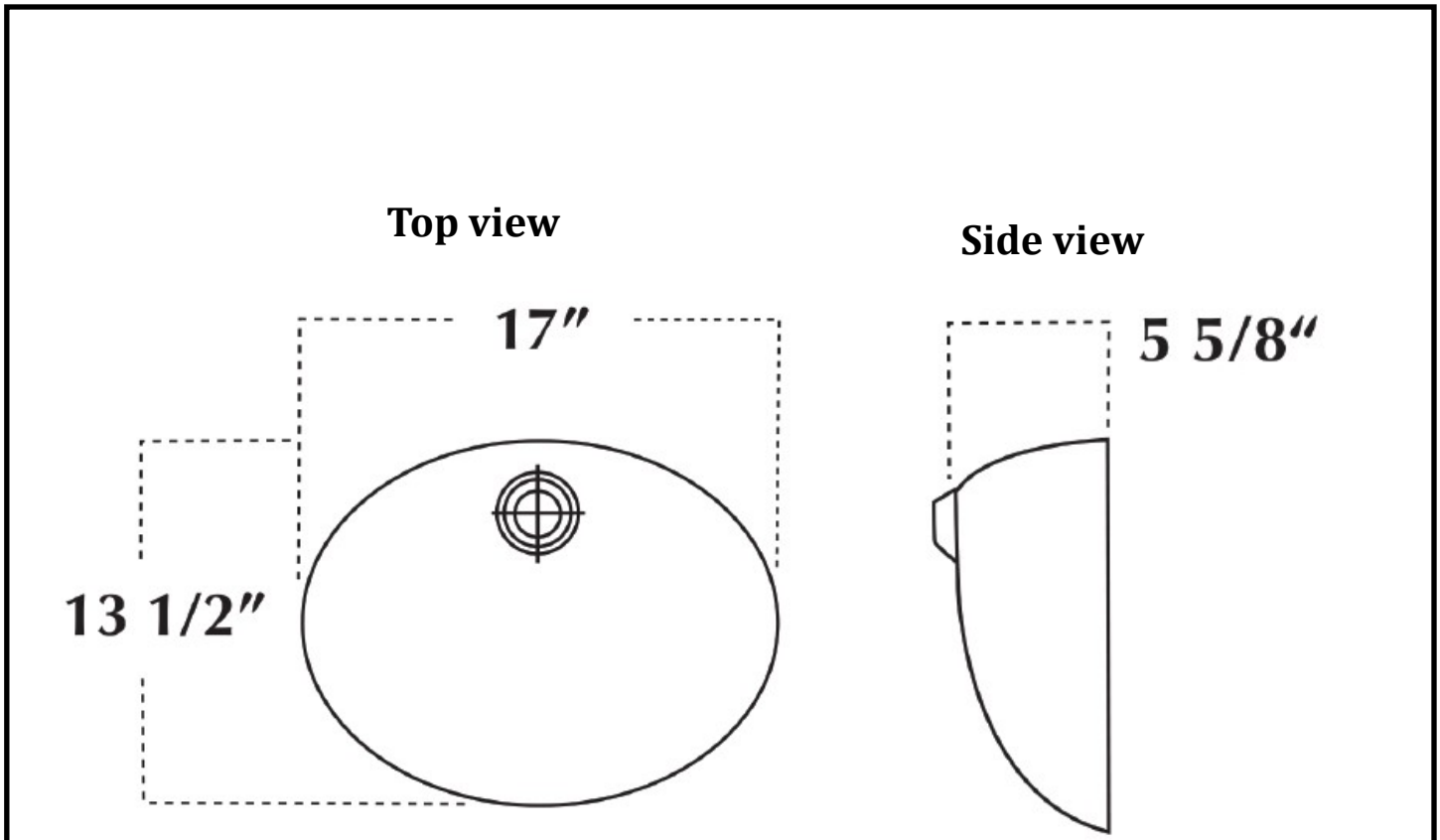


Cultured Marble Standard Bowls Spec Sheets

September 2024

Specifications

LO: Large Oval Bowl



See page two for standard and custom vanity sizes, bowl spacing, offsets, and edge profiles.

Specifications

LO: Large Oval Bowl (continued)

Standard options:

- Vanity depth: 22"
- Back and end splashes: 4"
- Drills: 4", alternate spacing available if specified

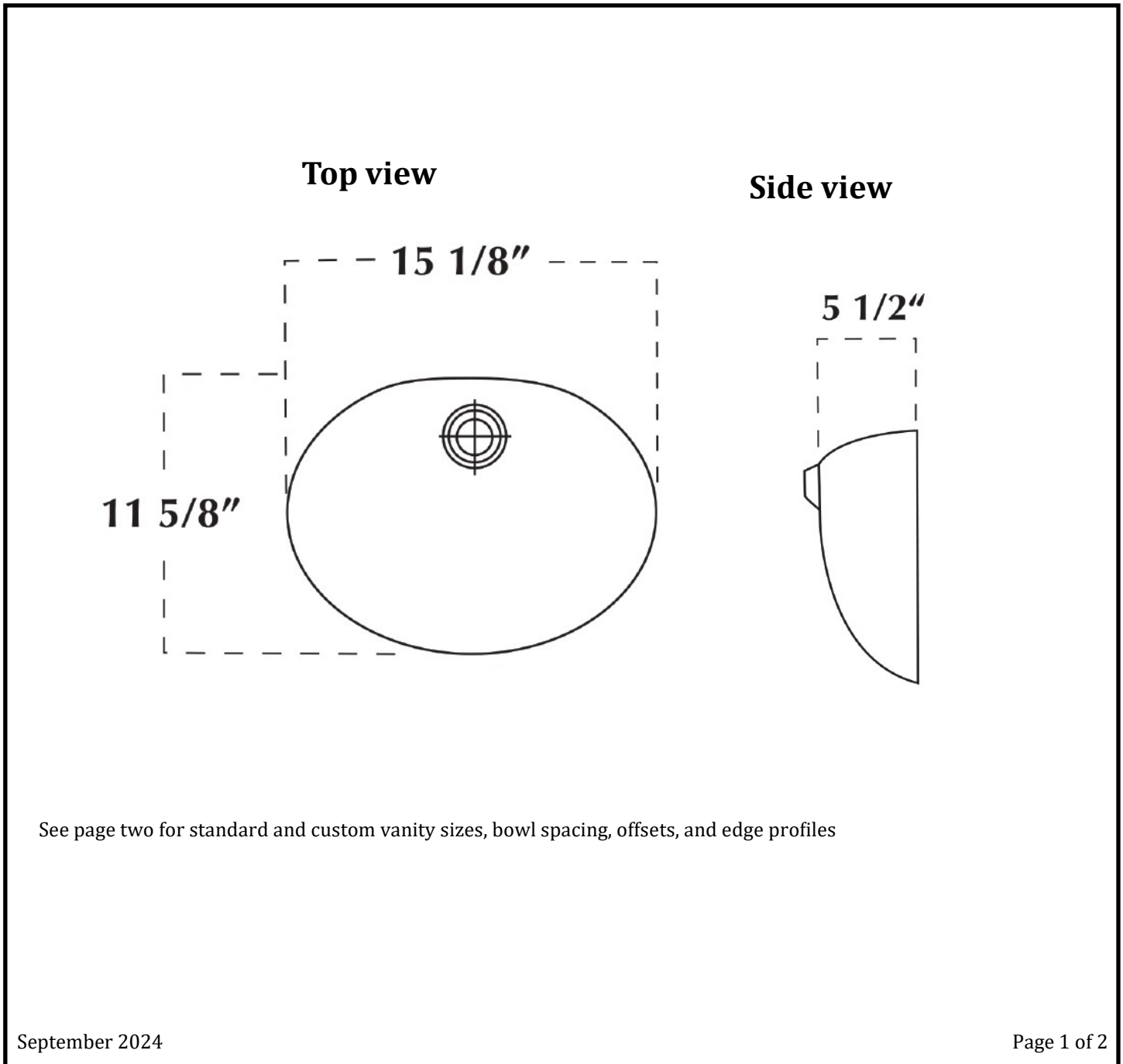
Vanity length	Edge Profiles	Single bowl	Double bowl
25", 28", 31", 34", 37", 43"	PE: Plain Edge	Centered	————
49"	PE: Plain Edge	Centered L or R 12.5"	L & R 12.5"
55"	PE: Plain Edge	Centered	L & R 13.5"
61"	PE: Plain Edge	Centered L or R 15.5	L & R 12.5" and 15.5"
73"	PE: Plain Edge	Centered L or R 18.5"	L & R 12.5", 15.5", and 18.5"
85"	PE: Plain Edge	————	L&R 15.5", 18.5", and 21.5"

Minimum spacing for custom options:

- Vanity depth: 22"
- Offset: 10"
- Vanity length: 20"
- Spacing between bowls (2 or more): 20"

Specifications

SO: Small Oval Bowl



See page two for standard and custom vanity sizes, bowl spacing, offsets, and edge profiles

Specifications

SO: Small Oval Bowl (continued)

Standard options:

- Vanity depth: 19"
- Back and end splashes: 4"
- Drills: 4", alternate spacing available if specified

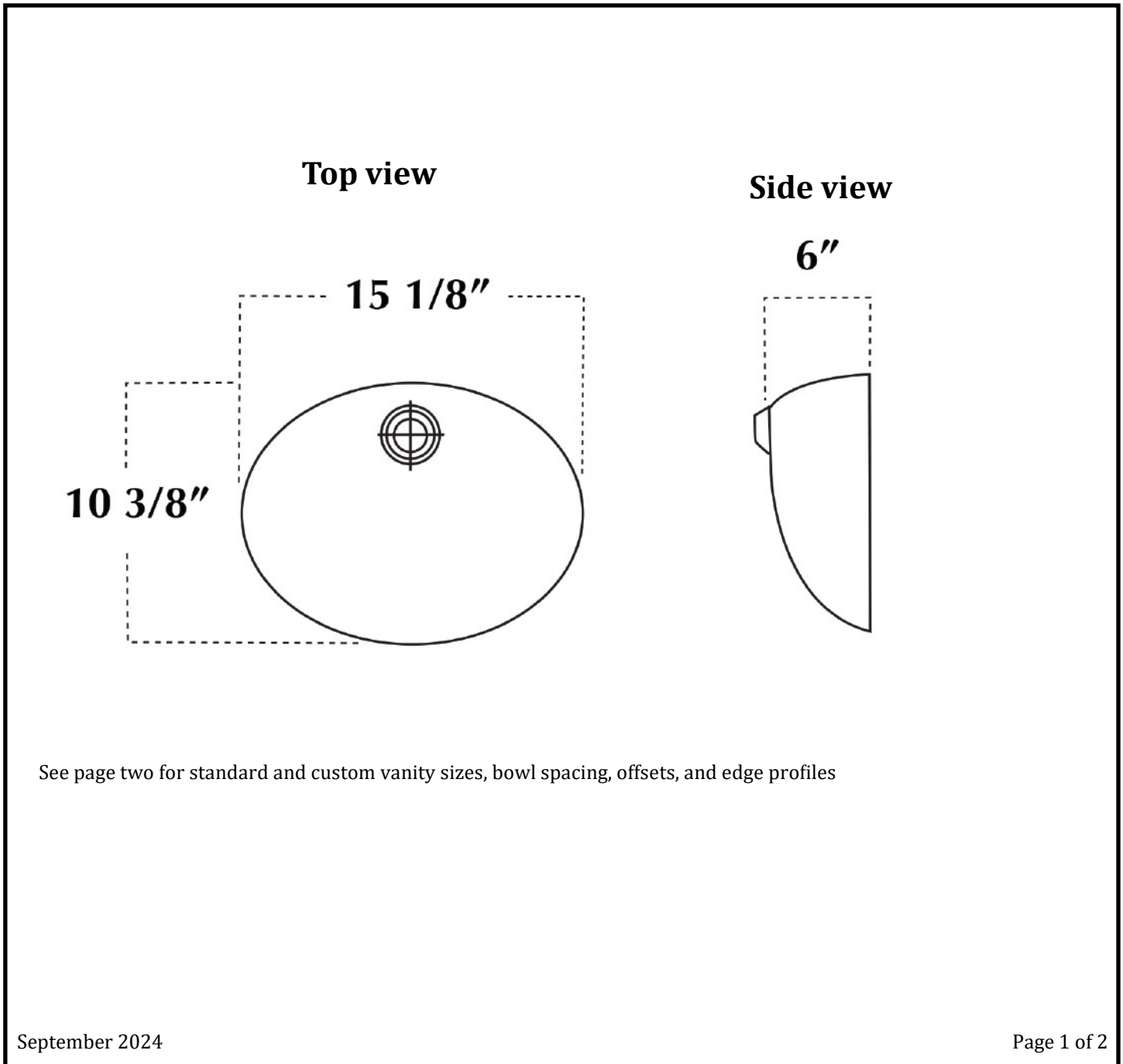
Vanity length	Edge Profiles	Single bowl	Double bowl
25", 31", 37", 43"	DE: Dripless Edge	Centered	-----
49"	PE: Plain Edge	Centered	-----
55"	PE: Plain Edge	Centered	-----
61"	PE: Plain Edge	Centered	-----
73"	PE: Plain Edge	Centered	-----

Minimum spacing for custom options:

- Vanity depth: 19"
- Offset: 9.5"
- Vanity length: 19"
- Spacing between bowls (2 or more): 19"

Specifications

S01: Mini Oval Bowl



Specifications

S01: Mini Oval Bowl (continued)

Standard options:

- Vanity depth: 17"
- Back and end splashes: 3"
- Drills: 4", alternate spacing available if specified

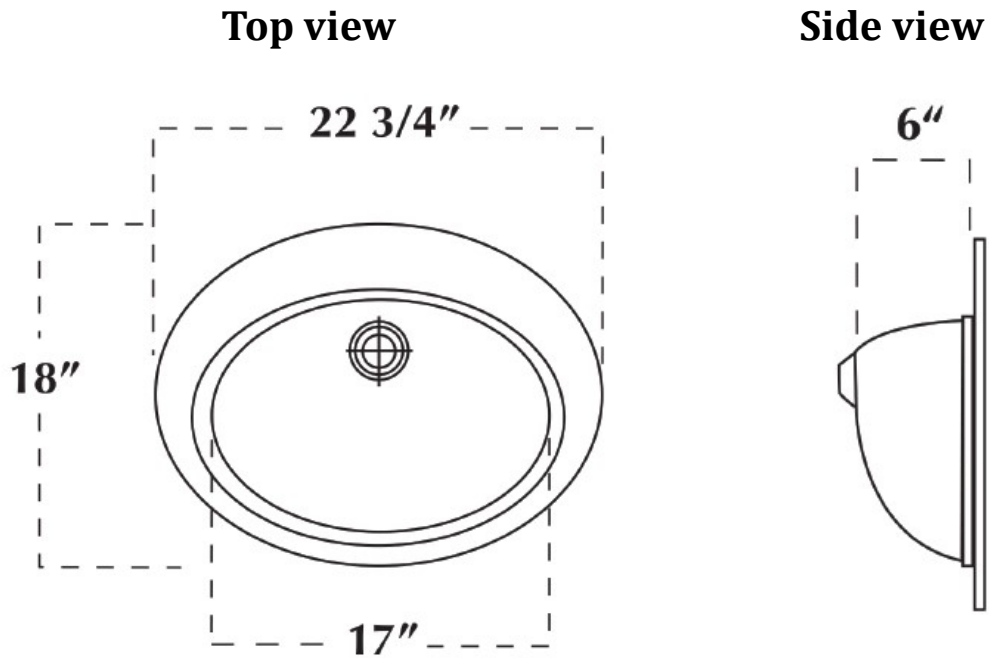
Vanity length	Edge Profiles	Single bowl	Double bowl
19", 25", 31"	DE: Dripless Edge	Centered	-----
37"	PE: Plain Edge	Centered	-----

Minimum spacing for custom options:

- Vanity depth: 17"
- Offset: 9.5"
- Vanity length: 19"
- Spacing between bowls (2 or more): 19"

Specifications

RO: Large Recessed Oval Bowl



See page two for standard and custom vanity sizes, bowl spacing, offsets, and edge profiles

Specifications

R0: Large Recessed Oval Bowl (continued)

Standard options:

- Vanity depth: 22"
- Back and end splashes: 4"
- Drills: 4", alternate spacing available if specified

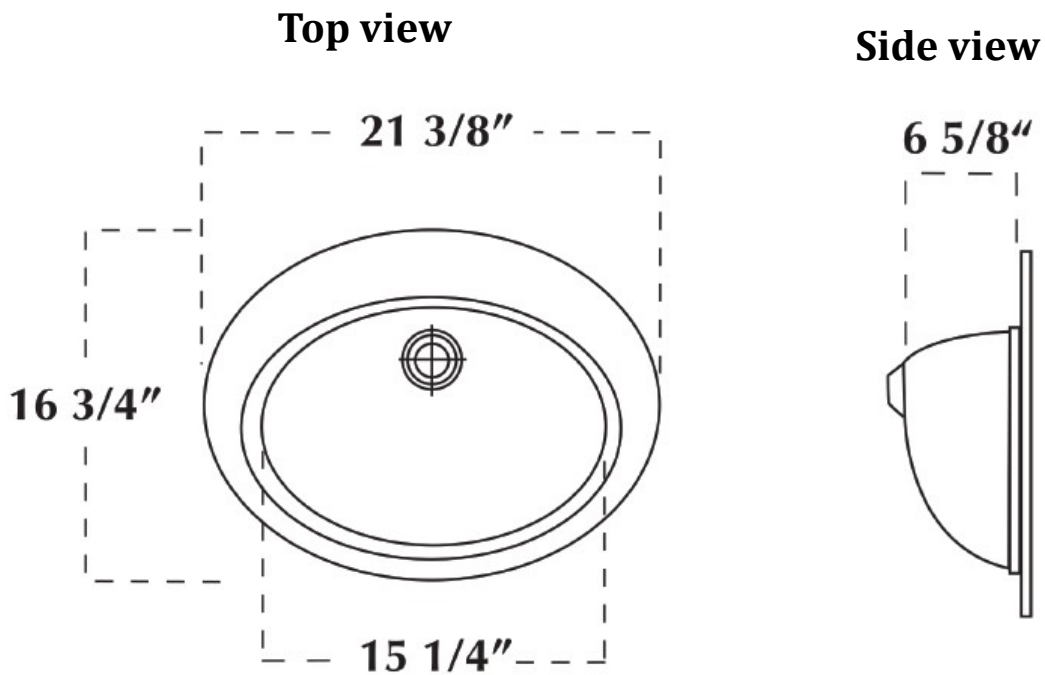
Vanity length	Edge Profiles	Single bowl	Double bowl
25", 28", 31", 34", 37", 43"	PE: Plain Edge DE: Dripless Edge	Centered	-----
49"	PE: Plain Edge DE: Dripless Edge	Centered L or R 12.5"	L & R 12.5"
55"	PE: Plain Edge DE: Dripless Edge	Centered	L & R 13.5"
61"	PE: Plain Edge DE: Dripless Edge	Centered L or R 15.5	L & R 12.5" and 15.5"
73"	PE: Plain Edge DE: Dripless Edge	Centered L or R 18.5"	L&R 12.5", 15.5", 18.5"

Minimum spacing for custom options:

- Vanity depth: 22"
- Offset: 12.5"
- Vanity length: 25"
- Spacing between bowls (2 or more): 25"

Specifications

R01: Small Recessed Oval Bowl



See page two for standard and custom vanity sizes, bowl spacing, offsets, and edge profiles

Specifications

R01: Small Recessed Oval Bowl (continued)

Standard options:

- Vanity depth: 19"
- Back and end splashes: 4"
- Drills: 4", alternate spacing available if specified

Vanity length	Edge Profiles	Single bowl	Double bowl
25", 31", 37", 43", 49", 55", 61", 73"	PE: Plain Edge	Centered	_____

Minimum spacing for custom options:

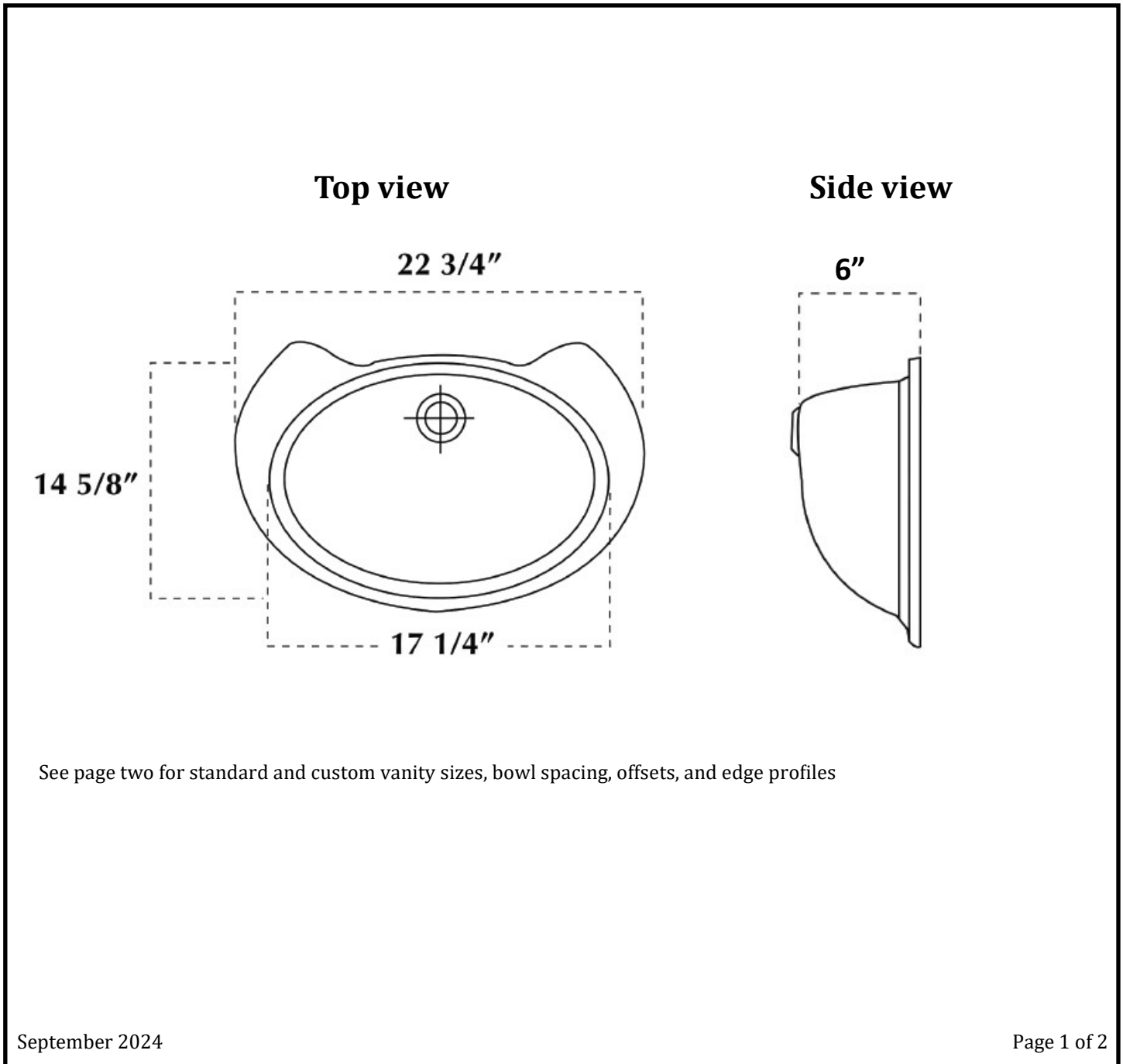
- Vanity depth: 19"
- Offset: 12"
- Vanity length: 24"
- Spacing between bowls (2 or more): 24"



Cultured Marble Custom Bowls Spec Sheets

Specifications

RD: Large Recessed Deluxe Bowl



See page two for standard and custom vanity sizes, bowl spacing, offsets, and edge profiles

Specifications

RD: Large Recessed Deluxe Bowl (continued)

Standard options:

- Custom only

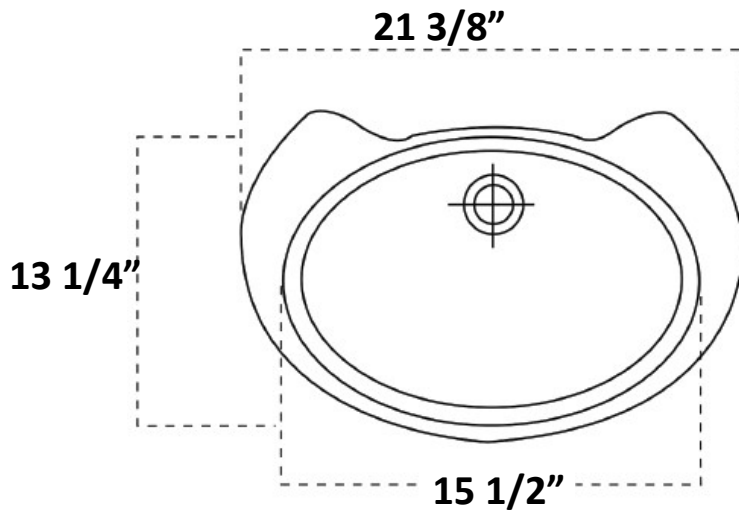
Minimum spacing for custom bowls:

- Vanity depth: 22"
- Offset: 12.5"
- Vanity length: 25"
- Spacing between bowls (2 or more): 25"

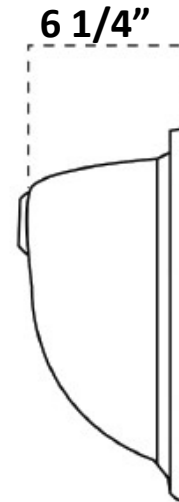
Specifications

RD1: Small Recessed Deluxe Bowl

Top view



Side view



See page two for standard and custom vanity sizes, bowl spacing, offsets, and edge profiles

Specifications

RD1: Small Recessed Deluxe Bowl (continued)

Standard options:

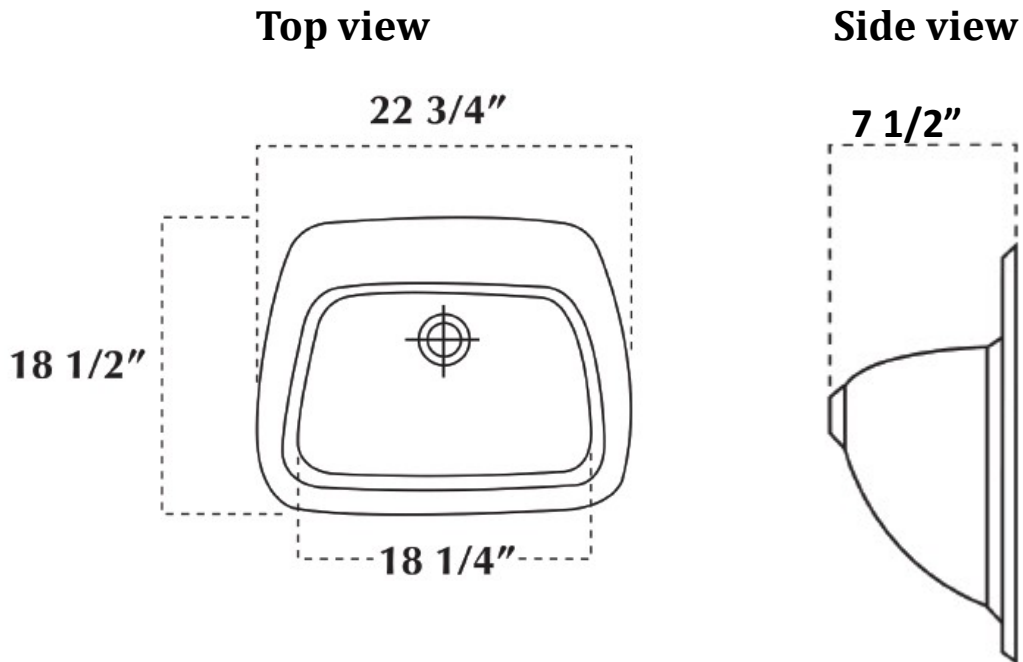
- Custom only

Minimum spacing for custom bowls:

- Vanity depth: 19"
- Offset: 12"
- Vanity length: 24"
- Spacing between bowls (2 or more): 24"

Specifications

RR: Large Recessed Rectangle Bowl



See page two for standard and custom vanity sizes, bowl spacing, offsets, and edge profiles

Specifications

RR: Large Recessed Rectangle Bowl (continued)

Standard options:

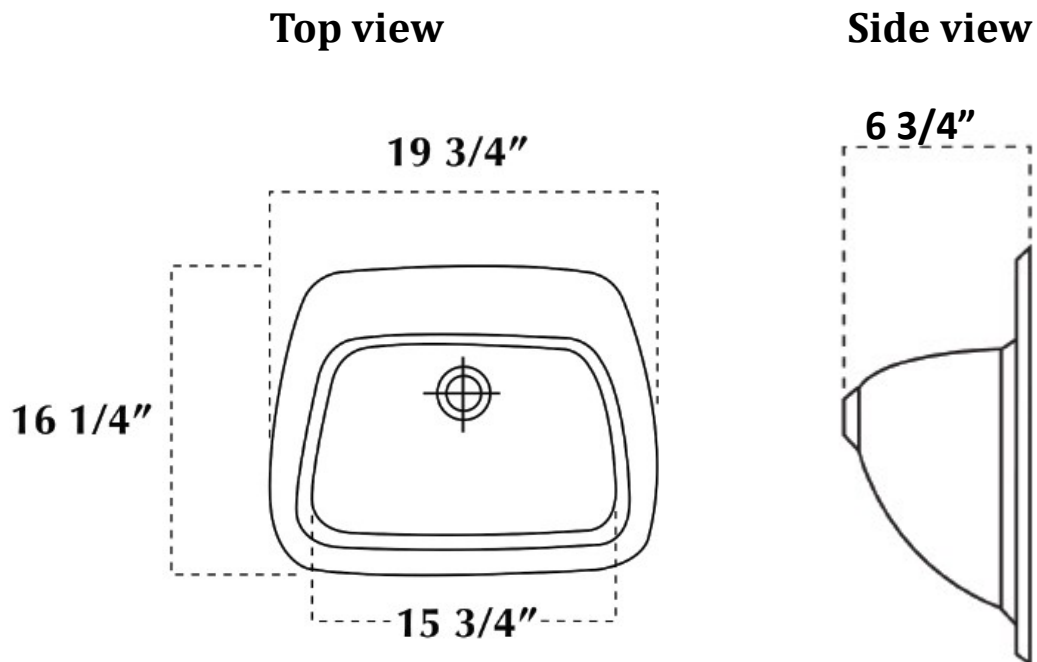
- Custom only

Minimum spacing for custom bowls:

- Vanity depth: 22"
- Offset: 13"
- Vanity length: 26"
- Spacing between bowls (2 or more): 26"

Specifications

RR1: Small Recessed Rectangle Bowl



See page two for standard and custom vanity sizes, bowl spacing, offsets, and edge profiles

Specifications

RR1: Small Recessed Rectangle Bowl (continued)

Standard options:

- Custom only

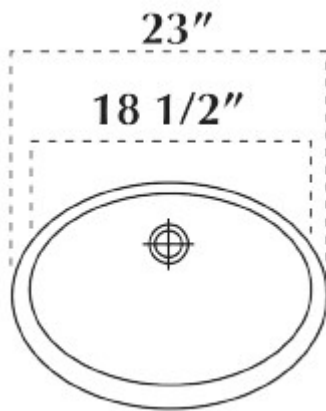
Minimum spacing for custom bowls:

- Vanity depth: 19"
- Offset: 12.5"
- Vanity length: 25"
- Spacing between bowls (2 or more): 25"

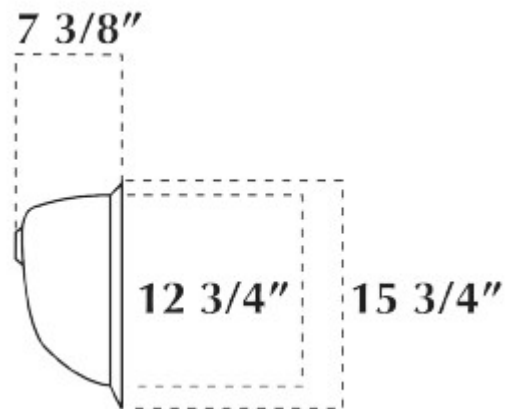
Specifications

VO: Venice Oval Bowl

Top view



Side view



See page two for standard and custom vanity sizes, bowl spacing, offsets, and edge profiles

Specifications

VO: Venice Oval Bowl (continued)

Standard options:

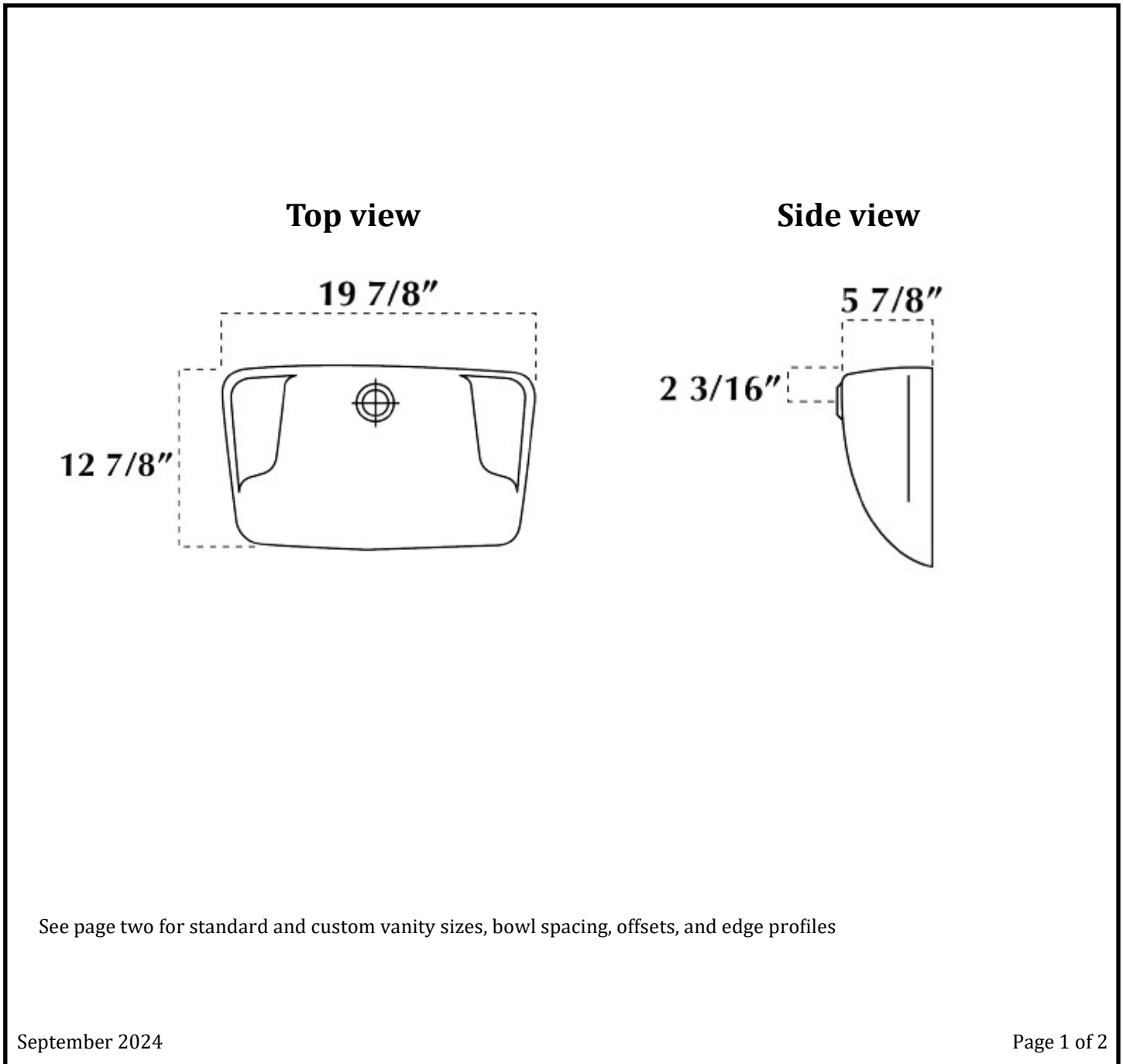
- Custom only

Minimum spacing for custom bowls:

- Vanity depth: 22"
- Offset: 13"
- Vanity length: 26"
- Spacing between bowls (2 or more): 26"

Specifications

NSB: Super Bowl with Soap Dish, no overflow



See page two for standard and custom vanity sizes, bowl spacing, offsets, and edge profiles

Specifications

NSB: Super Bowl with Soap Dish, no overflow (continued)

Standard options:

- Custom only

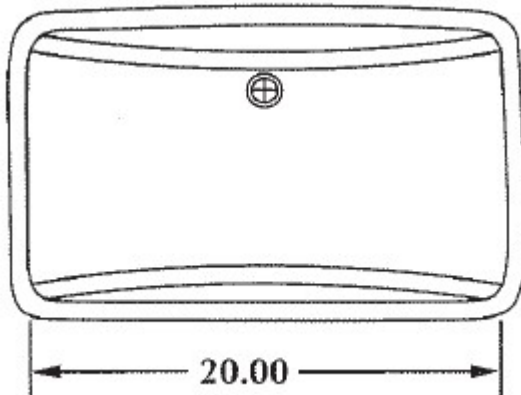
Minimum spacing for custom bowls:

- Vanity depth: 22"
- Offset: 15.5"
- Vanity length: 31"
- Spacing between bowls (2 or more): 31"

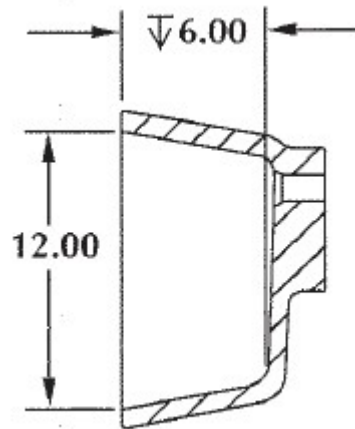
Specifications

WV: Large Wave Bowl

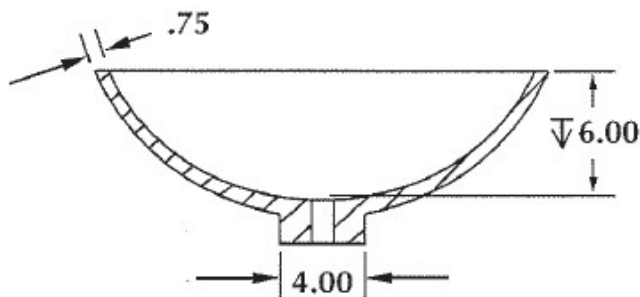
Top view



Side view



Front view



See page two for standard and custom vanity sizes, bowl spacing, offsets, and edge profiles

Specifications

WV: Large Wave Bowl (continued)

Standard options:

- Custom only

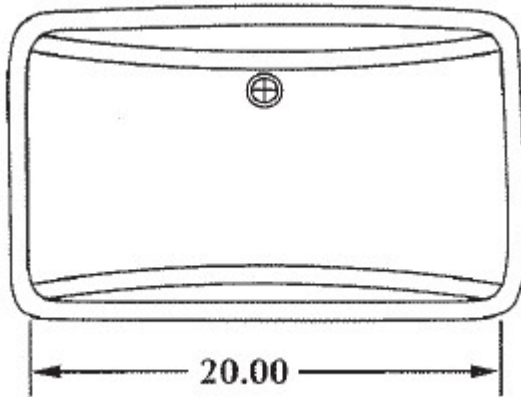
Minimum spacing for custom bowls:

- Vanity depth: 22"
- Offset: 12.5"
- Vanity length: 25"
- Spacing between bowls (2 or more): 25"

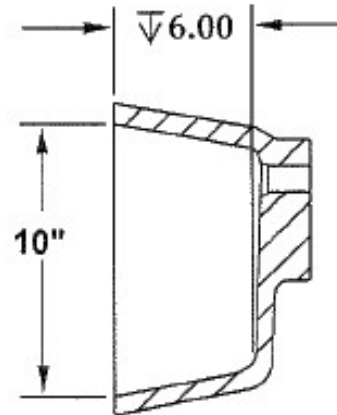
Specifications

WV1: Small Wave Bowl

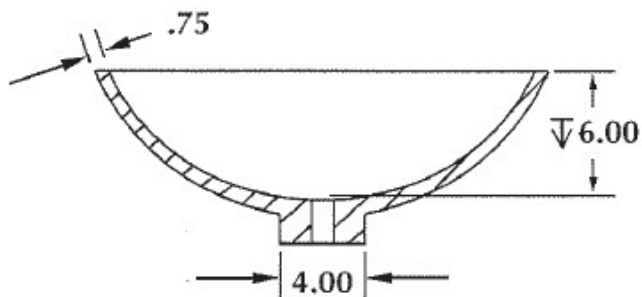
Top view



Side view



Front view



See page two for standard and custom vanity sizes, bowl spacing, offsets, and edge profiles

Specifications

WV1: Small Wave Bowl (continued)

Standard options:

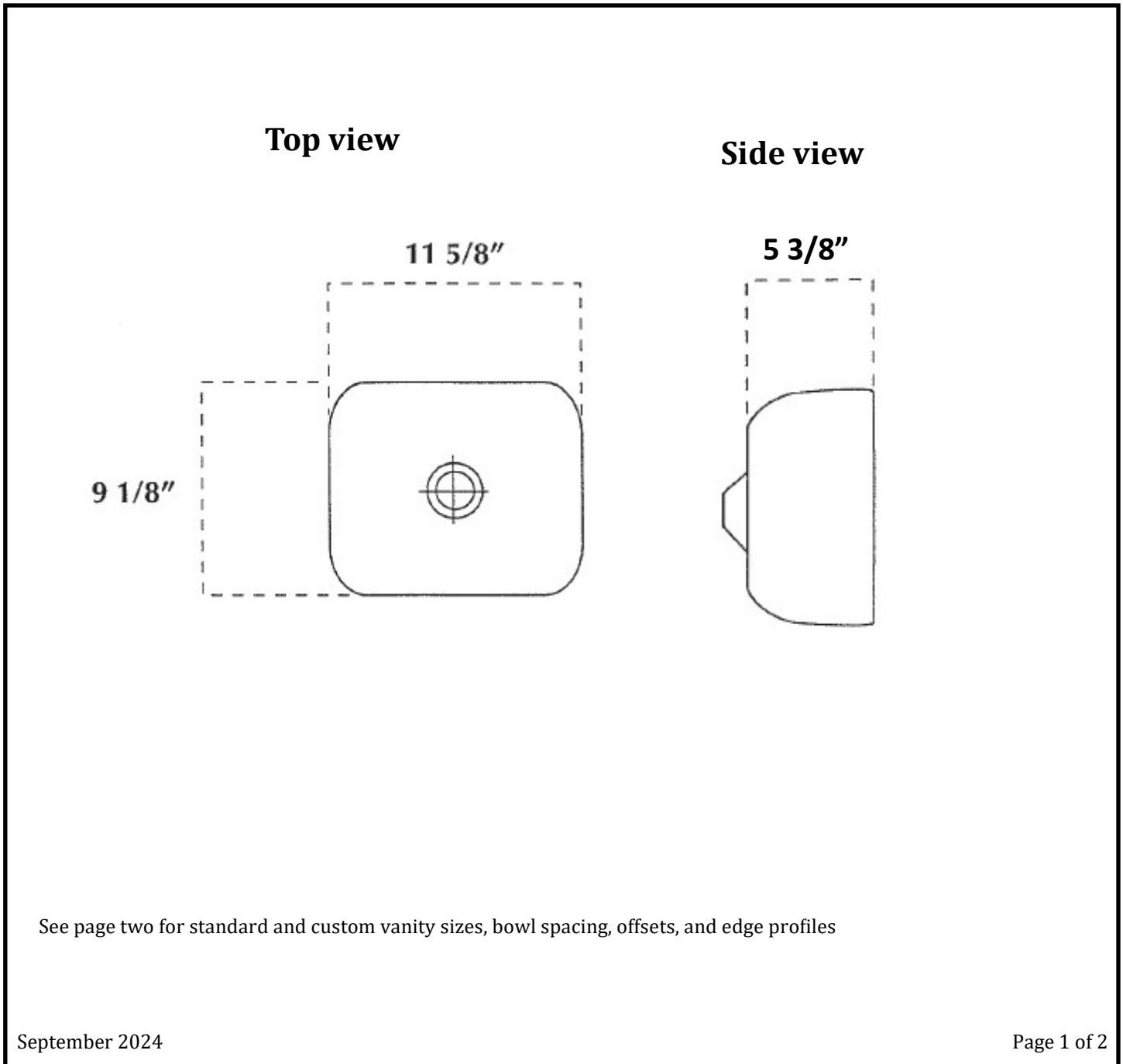
- Custom only

Minimum spacing for custom bowls:

- Vanity depth: 19"
- Offset: 12.5"
- Vanity length: 25"
- Spacing between bowls (2 or more): 25"

Specifications

BAR: Small Bar Sink, no overflow



See page two for standard and custom vanity sizes, bowl spacing, offsets, and edge profiles

Specifications

BAR: Small Bar Sink, no overflow (continued)

Standard options:

- Custom only

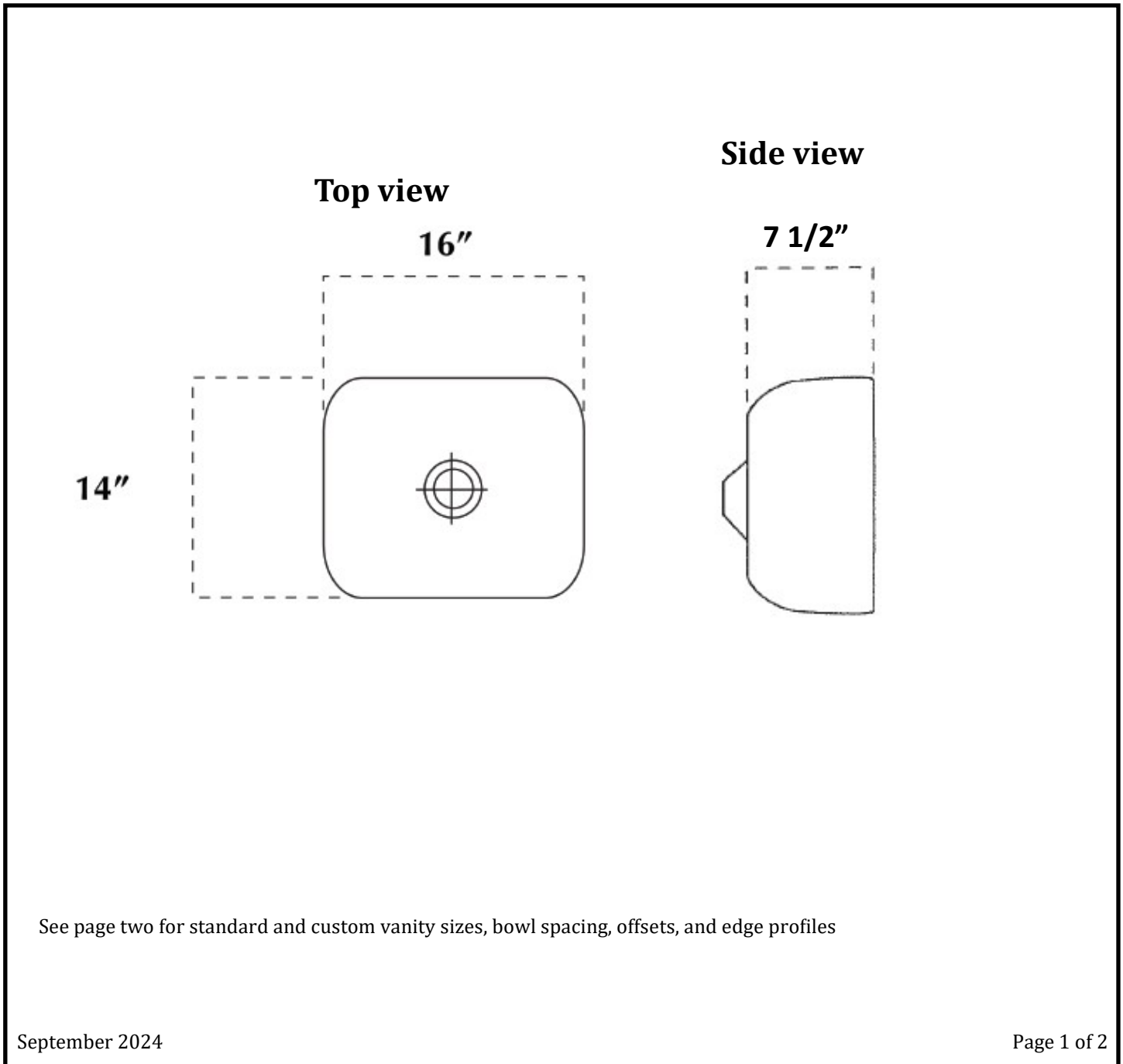
Minimum spacing for custom bowls:

- Vanity depth: 17"
- Offset: 7"
- Vanity length: 14"
- Spacing between bowls (2 or more): 14"

Available for bathroom or kitchen drain sizes.

Specifications

BARLG: Large Bar Sink, no overflow



See page two for standard and custom vanity sizes, bowl spacing, offsets, and edge profiles

Specifications

BARLG: Large Bar Sink, no overflow (continued)

Standard options:

- Custom only

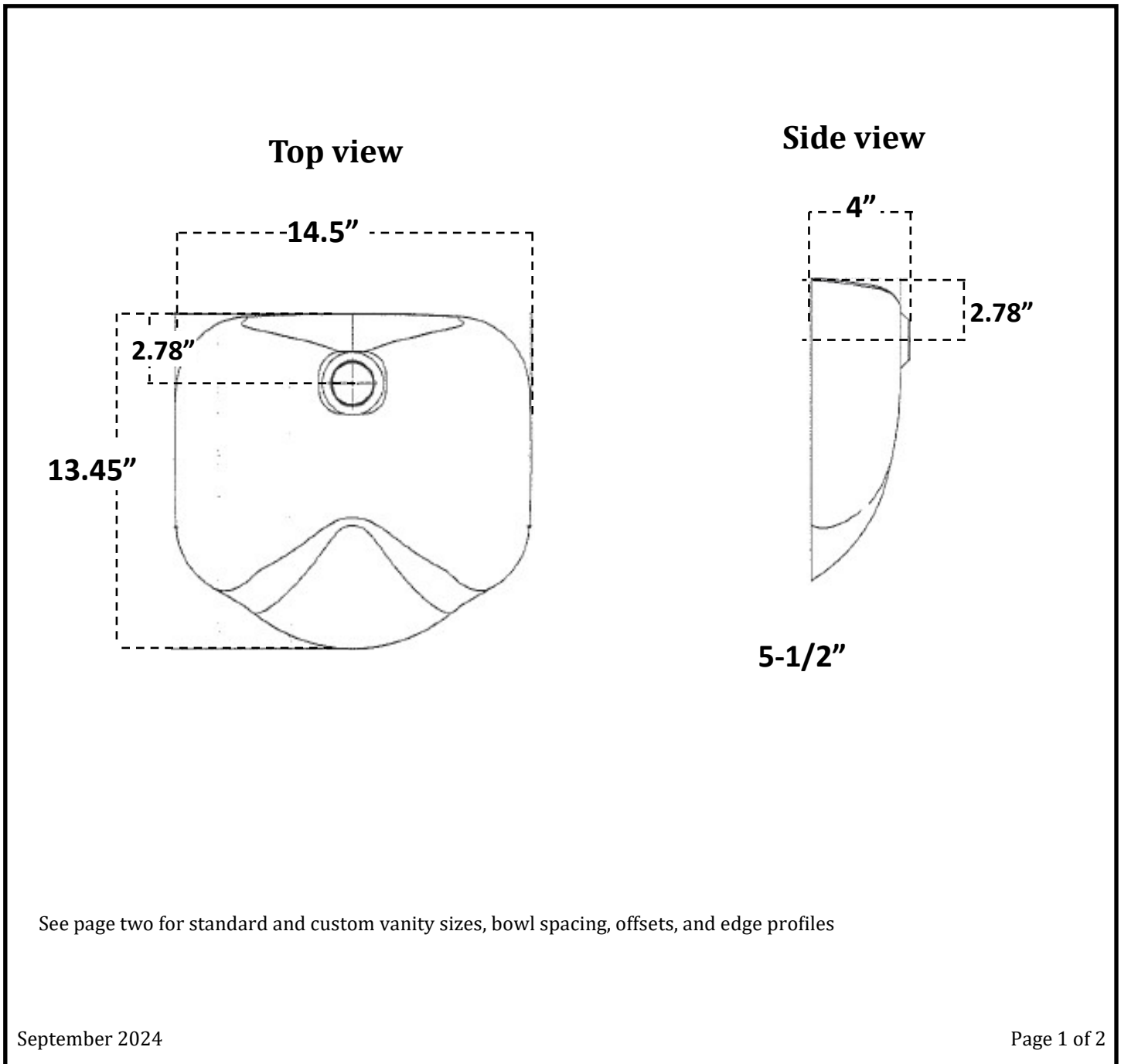
Minimum spacing for custom bowls:

- Vanity depth: 22"
- Offset: 9"
- Vanity length: 18"
- Spacing between bowls (2 or more): 18"

Available for 3.25" kitchen drains to accommodate disposal.

Specifications

ADA Bowl, no overflow



Specifications

ADA Bowl (continued)

Standard options:

- Custom only

Minimum spacing for custom bowls:

- Vanity depth: 22"
- Offset: 19.5"
- Vanity length: 19"
- Spacing between bowls (2 or more): 19.5"

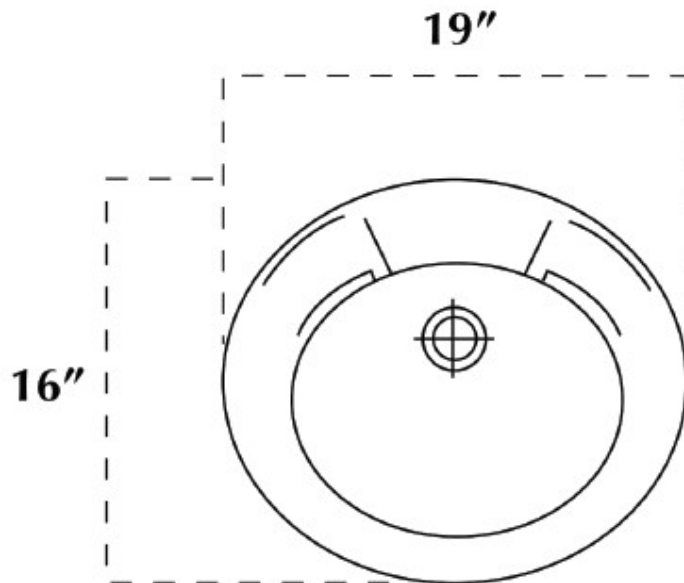


Drop-in and Vessel Bowls

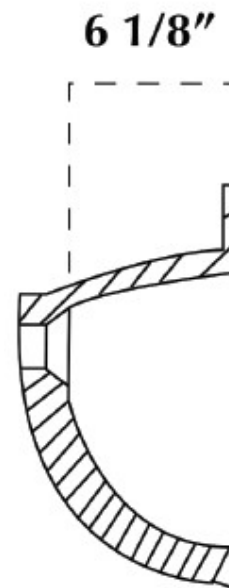
Specifications

Drop-in Oval Bowl with Soap Dish

Top view



Side view



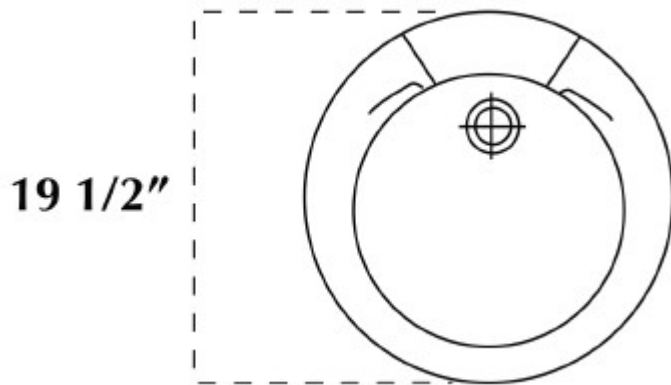
Custom only

September 2024

Specifications

Drop-in Round Bowl with Soap Dish

Top view



Side view

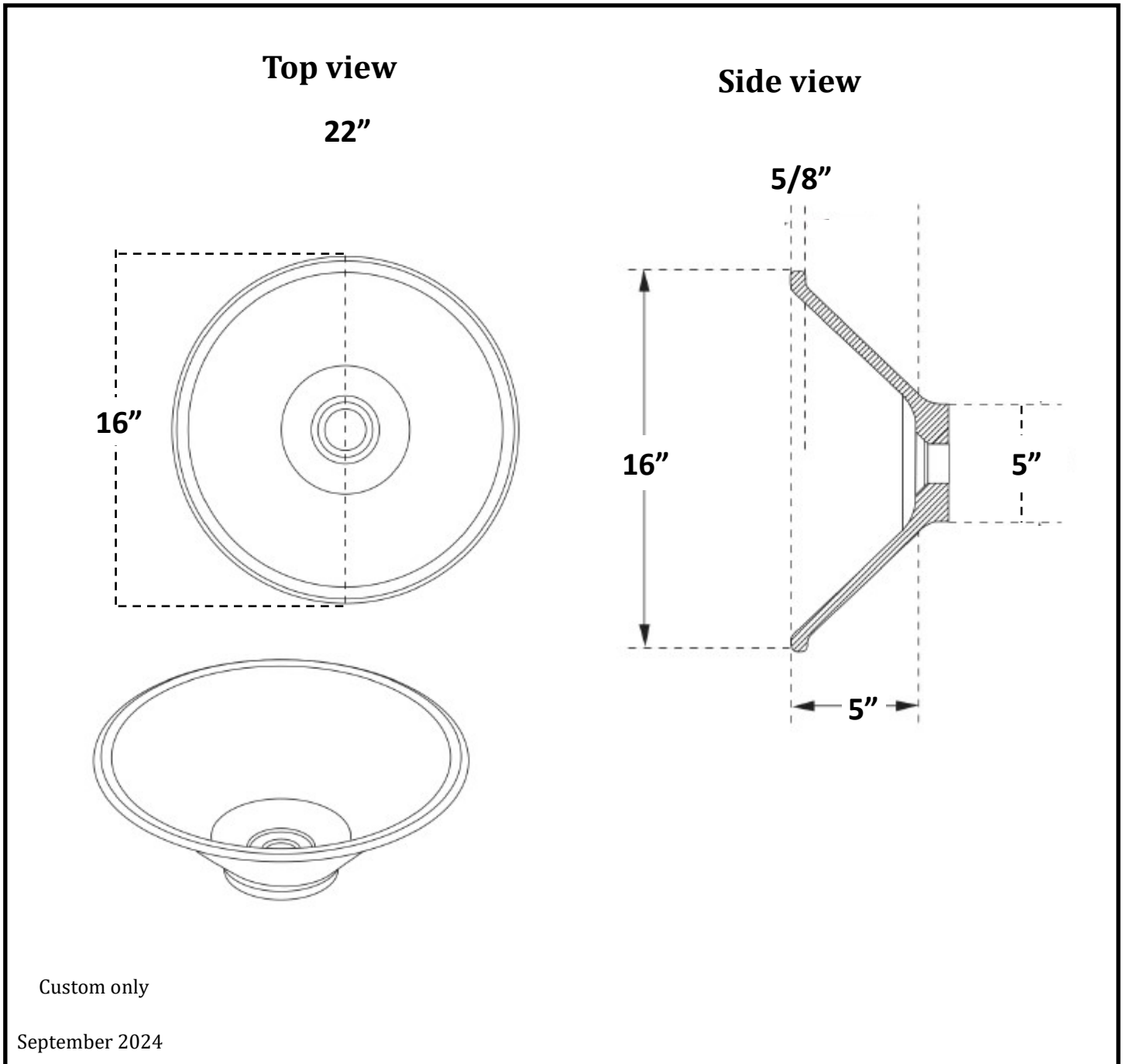


Custom only

September 2024

Specifications

16" Cone Vessel Bowl

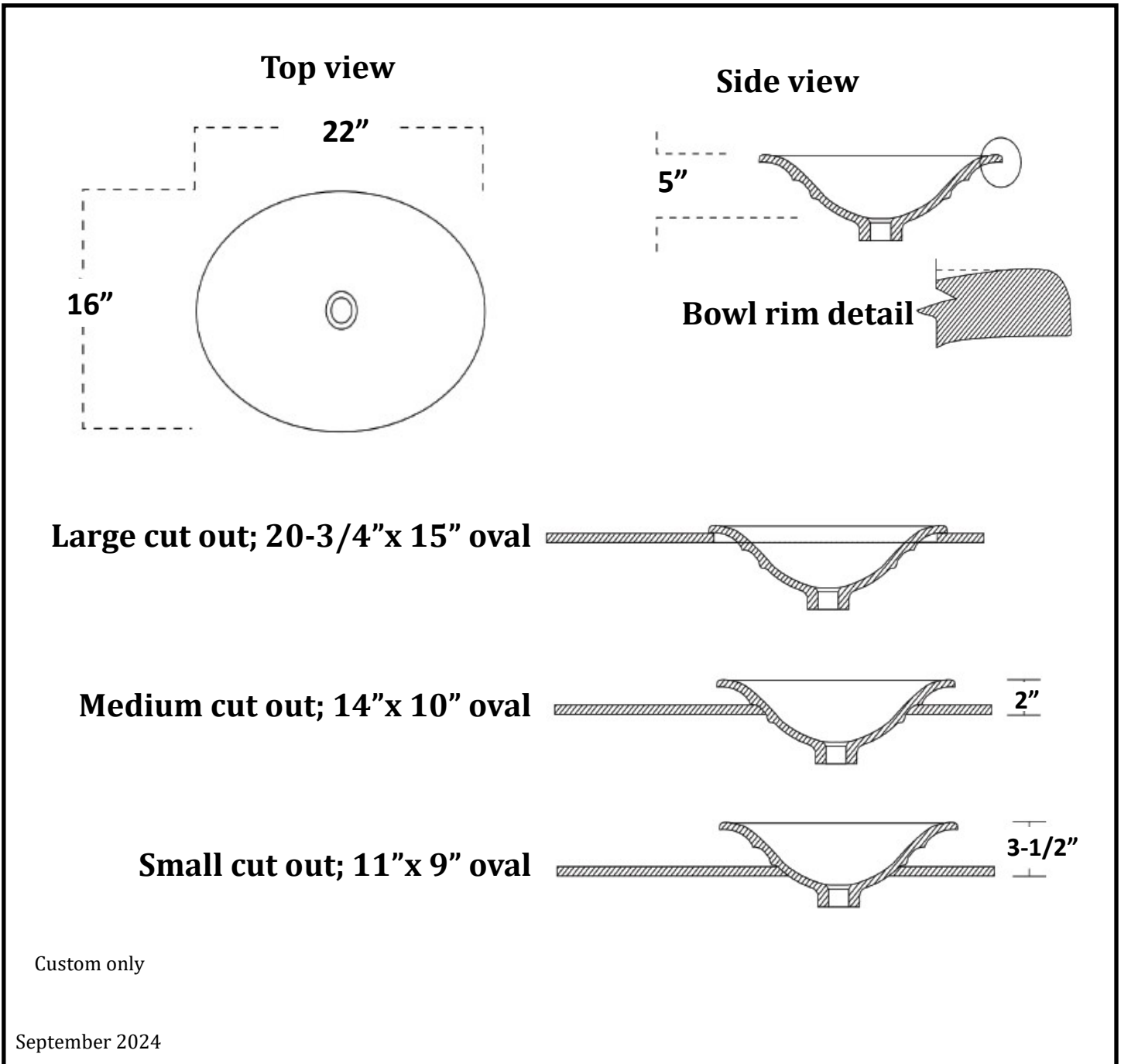


Custom only

September 2024

Specifications

Tri-Level Lotus Vessel Bowl

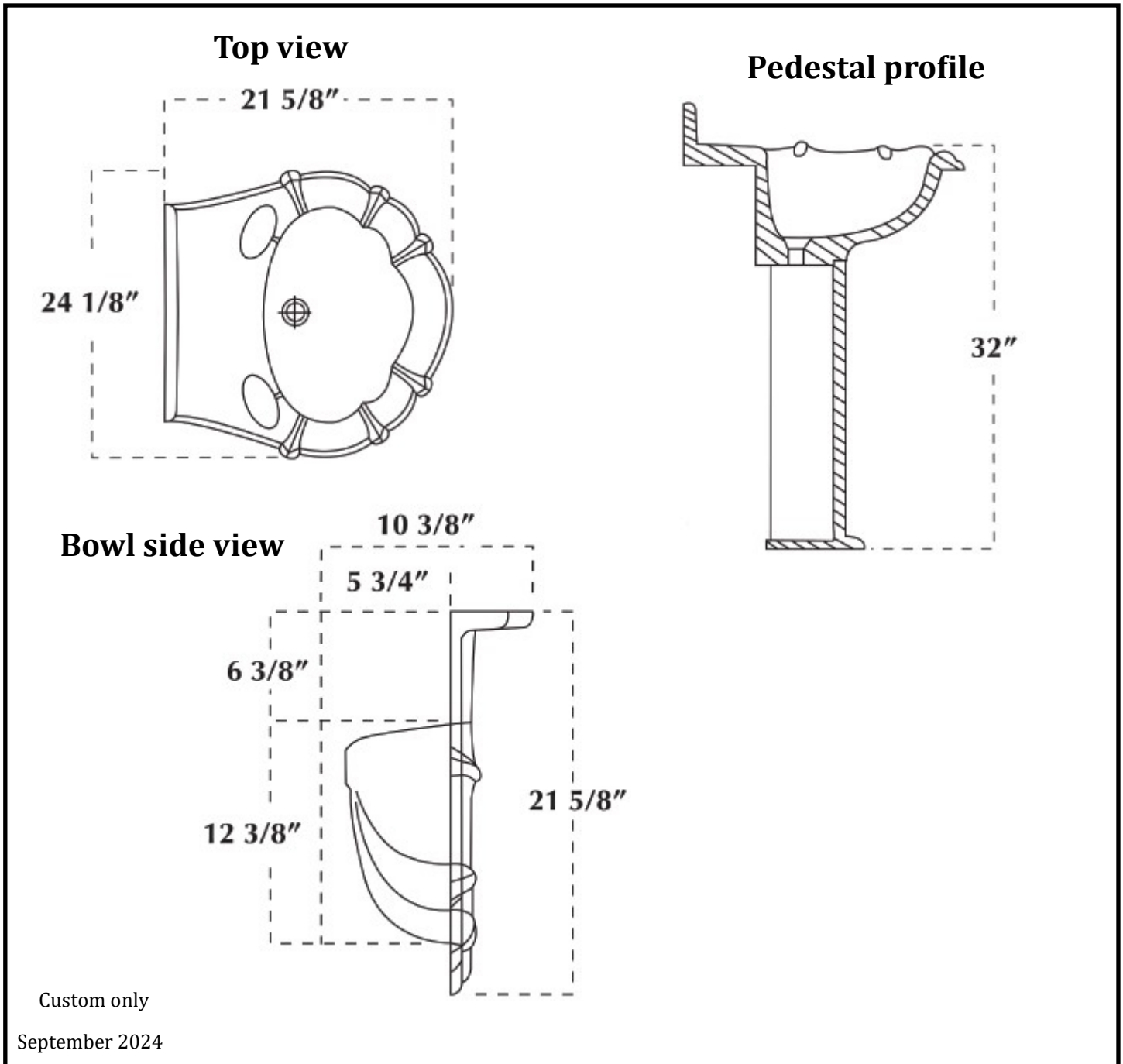




Pedestals

Specifications

Fleur De Lis Pedestal

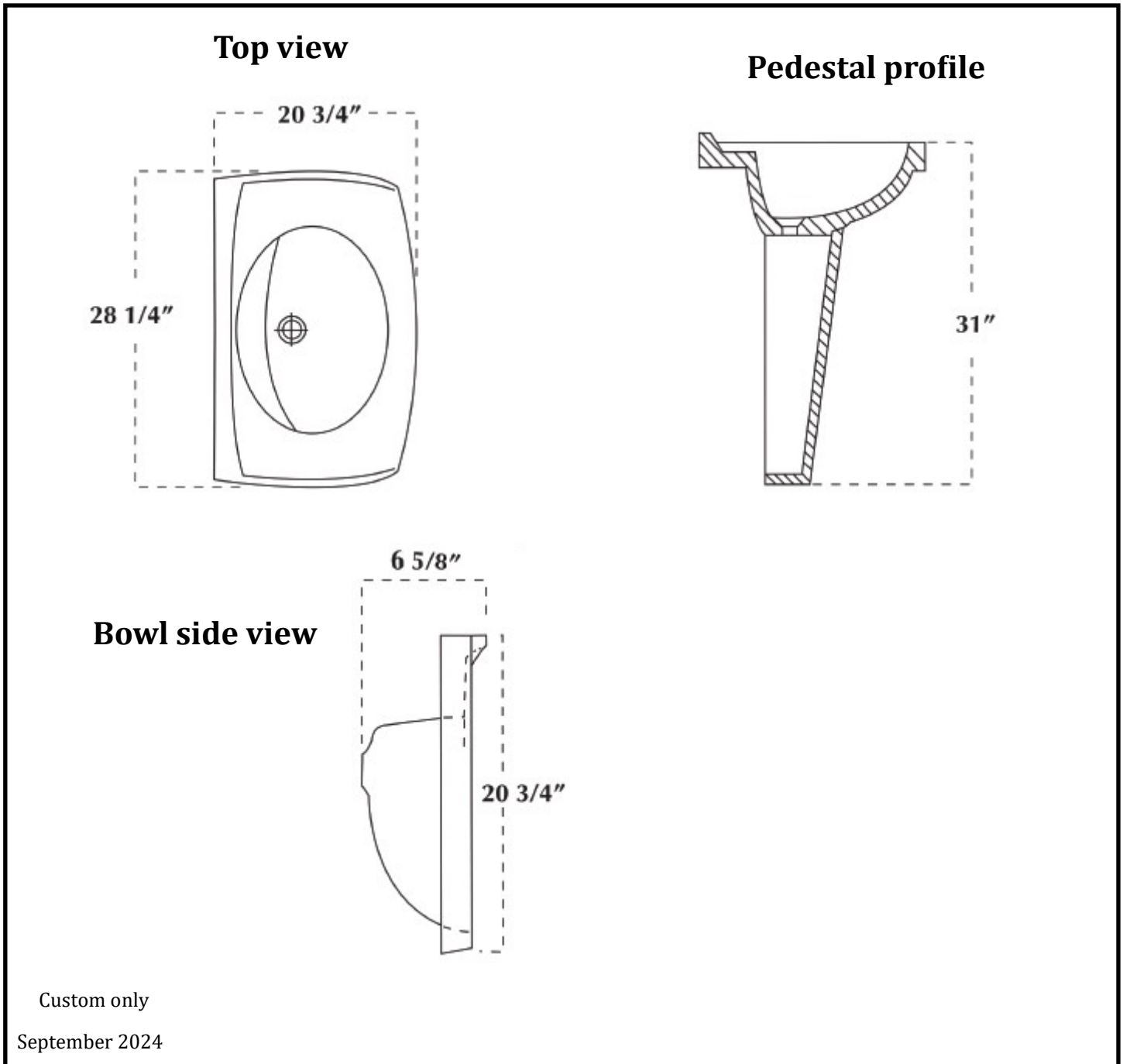


Custom only

September 2024

Specifications

Monarch Pedestal



Custom only

September 2024

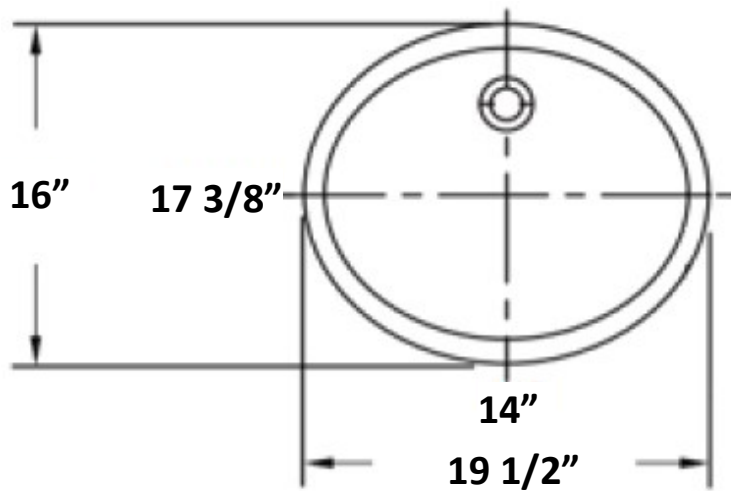


Undermount Bowls

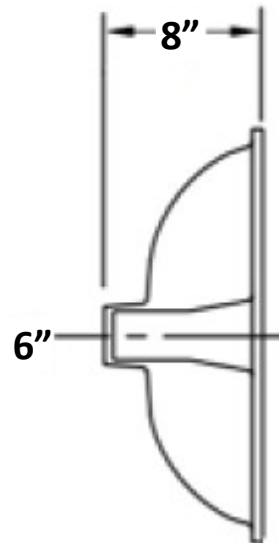
Specifications

Undermount Large Oval Porcelain Bowl

Top view



Side view



Undermount bowls are used for natural stone and quartz vanities.

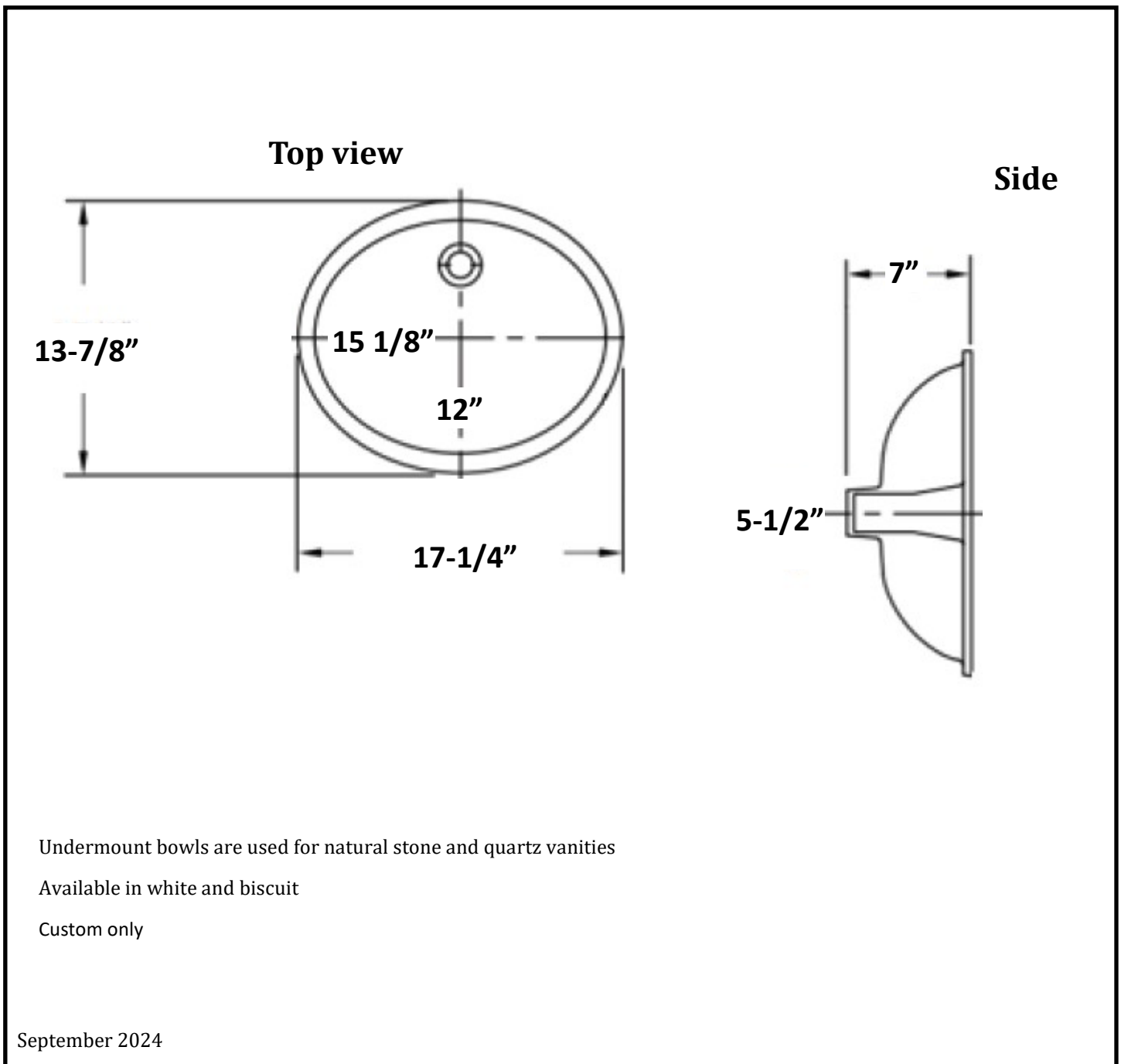
Available in white and biscuit.

Custom only

September 2024

Specifications

Undermount Small Oval Porcelain Bowl

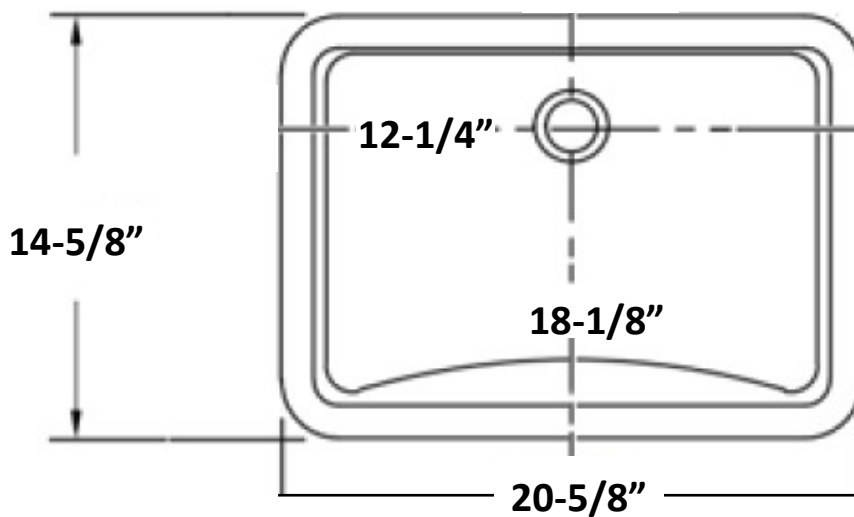


September 2024

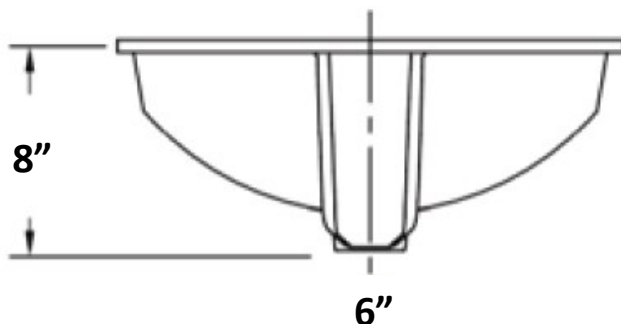
Specifications

Undermount Rectangular Porcelain Bowl

Top view



Side view



Undermount bowls are used for natural stone and quartz vanities

Available in white and biscuit

Custom only

September 2024

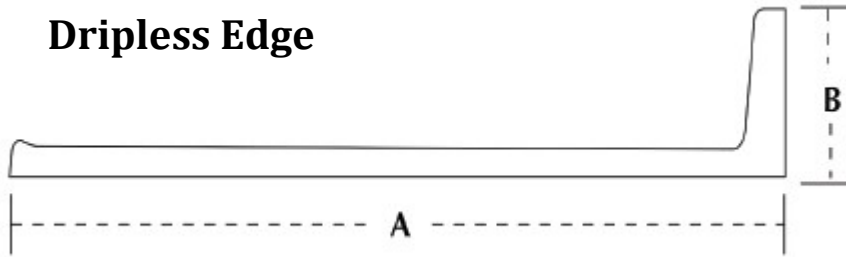


Standard Edge Profiles

Specifications

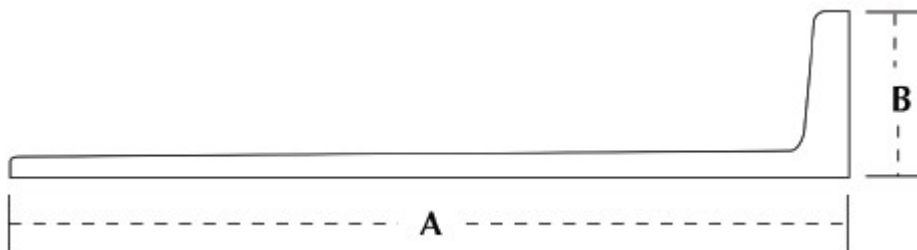
Standard Edge Profiles

Dripless Edge



Approximately 1/8" rise at edge

Plain Edge

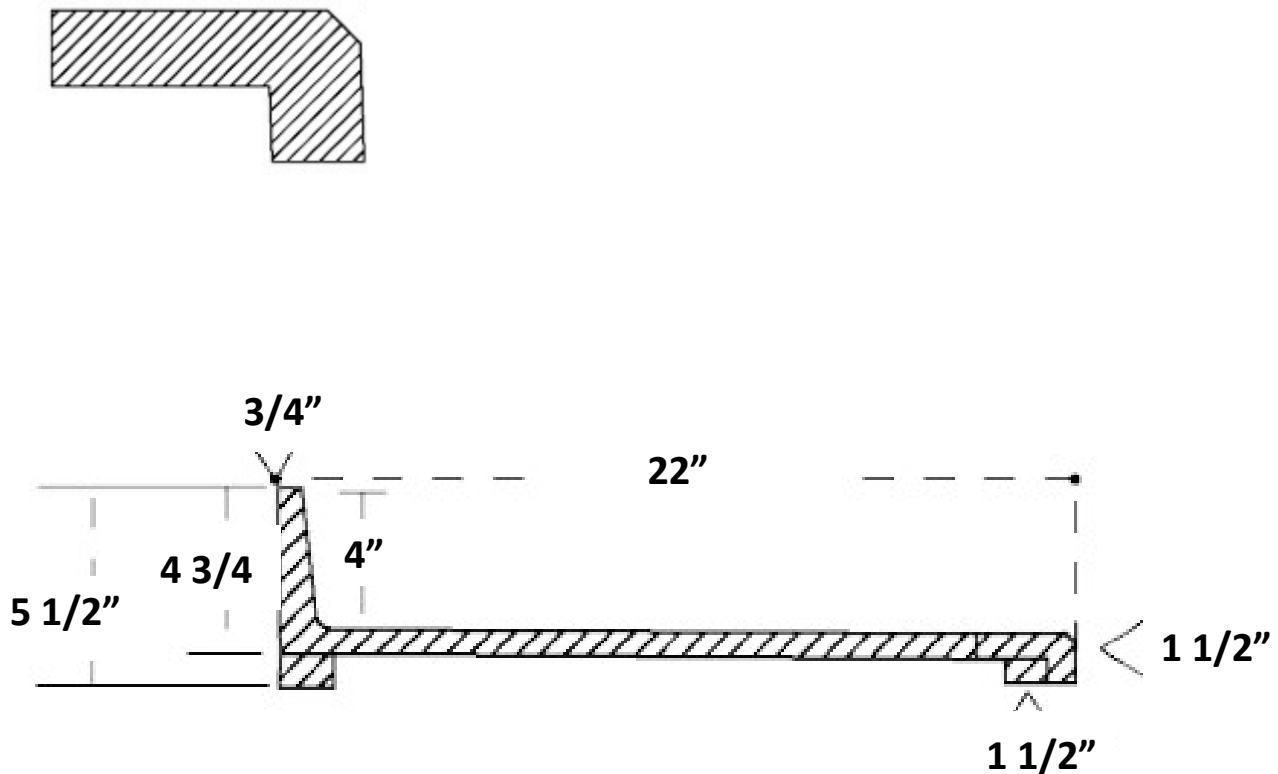




Custom Edge Profiles

Specifications

1.5" Beveled Edge

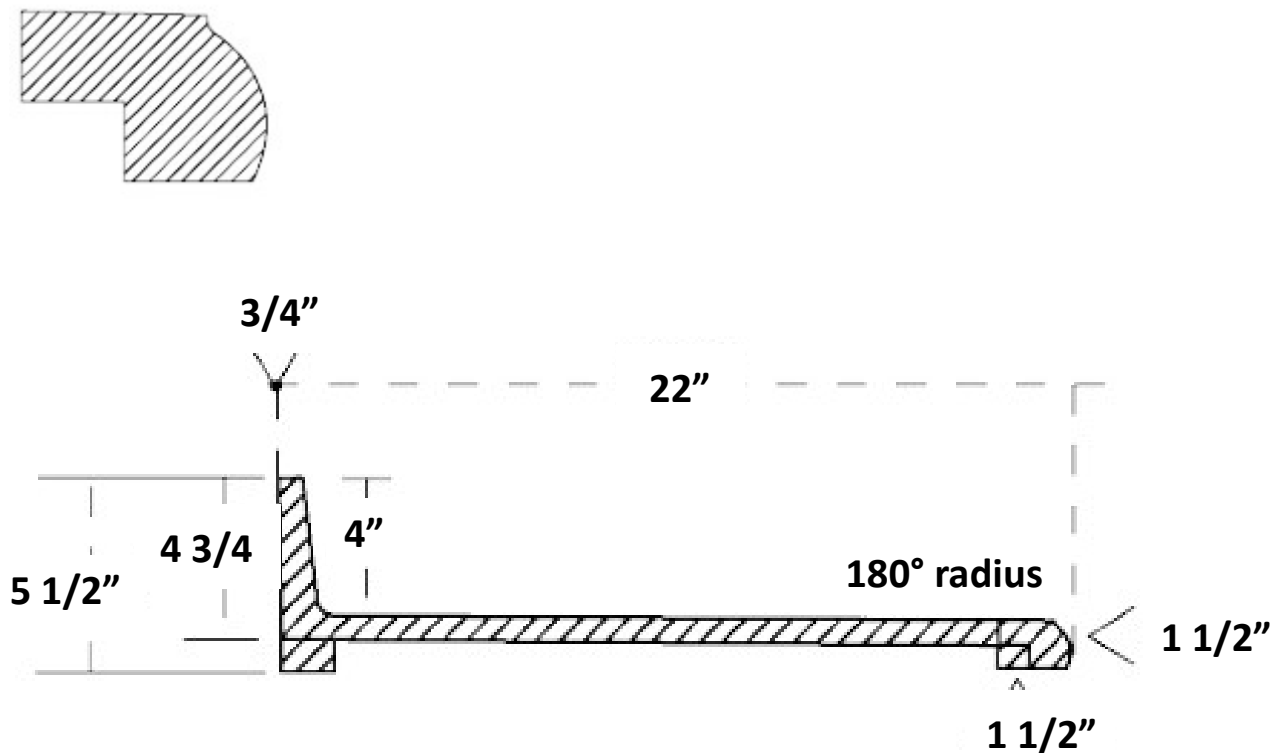


Options available

- Integral 4" backsplash at 22" depth
- Loose backsplash for other depths
- Maximum length: 120"

Specifications

1.5" Bullnose Edge

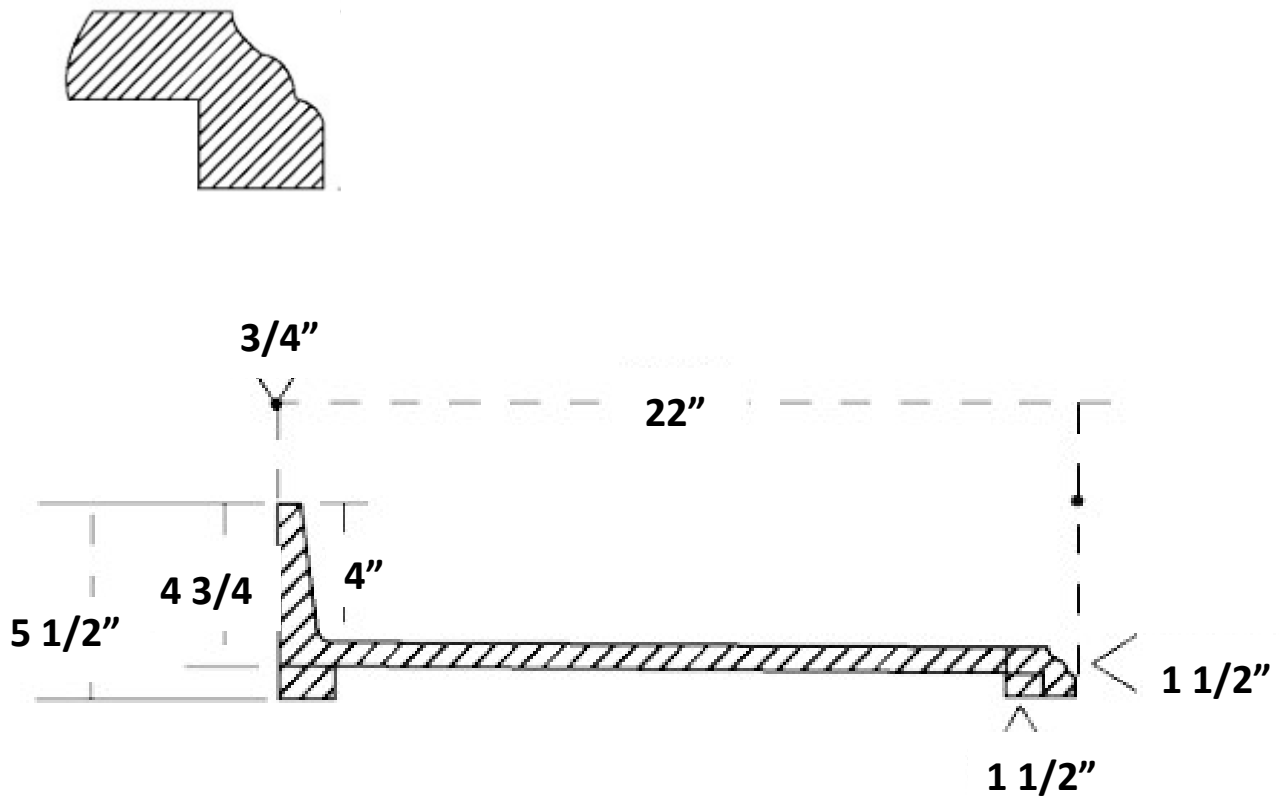


Options available

- Integral 4" backsplash at 22" depth
- Loose backsplash for other depths
- Maximum length: 120"

Specifications

1.5" Ogee Edge

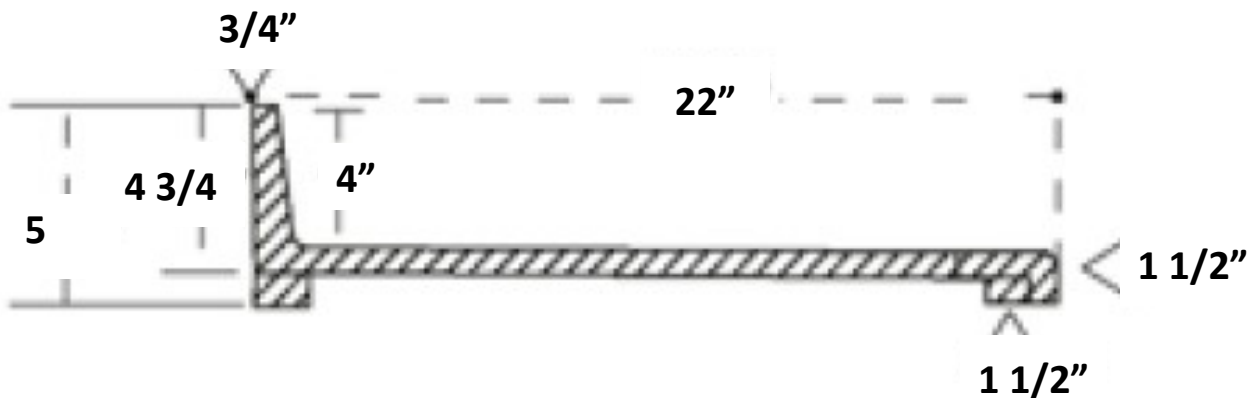


Options available

- Integral 4" backsplash at 22" depth
- Loose backsplash for other depths
- Maximum length: 120"

Specifications

1.5" Pencil Edge



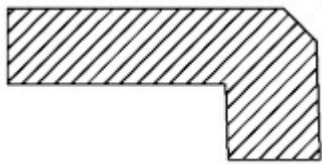
Options available

- Integral 4" backsplash at 22" depth
- Loose backsplash for other depths
- Maximum length: 120"

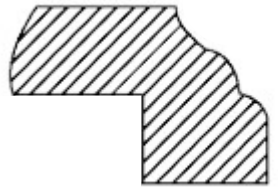
Specifications

Custom Edge Profiles Side by Side Comparison

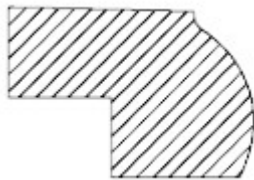
Beveled Edge



Ogee Edge



Bullnose Edge



Pencil Edge





Cultured Marble and Cultured Granite Installation

September 2024

Cultured Marble and Cultured Granite Installation

What is Cast Polymer?

Cast polymer is the umbrella term that includes cultured marble, cultured granite, a cultured onyx and solid surface variety products. Cast polymer products are made by chemically bonding mineral fillers with resins to create a matrix, which is molded and hardened to a solid material in a variety of shapes that meet diverse design needs. It is more durable than porcelain, resists mildew and stains, and is easily cleaned with non-abrasive cleaning agents.

A. Standard Vanity Tops

1. Prior to installation of your new vanity top, inspect it thoroughly for cosmetic defects. If you find any defects, notify your dealer immediately and do not install your top, as most warranties do not cover installation costs.
2. Check the vanity base to make certain it is level and flat. If the cabinet is not level and square, the backsplash will not fit properly to the back and end walls.
3. Make a trial fit. The top should overhang the vanity on all open ends. If it does not fit properly, the backsplash and wall ends may be shaved using a belt sander or cut using a skill saw with a masonry blade (see section B).
4. After the trial fit, remove the top and install the drain and faucets according to the manufacturer's directions. Use a liberal amount of high-quality silicone caulk under the drain collar. The excess should be squeezed out around the entire collar when the assembly is tightened. It is important that you do not over tighten the drain. Do not exceed one turn past hand tight. You should install the fittings prior to setting the vanity top as it is much easier to do and will save you time.

Cultured Marble and Cultured Granite Installation (continued)

5. This is a good time to make sure your water temperature is within the recommended tolerance. Check to ensure water temperatures do not exceed 150°F. The combination of an over-tightened drain and continuous exposure to water temperatures above 150 degrees can damage the cast polymer surface.
6. Apply an L-shaped 2" bed of silicone caulk to each inside corner of the vanity component. Apply a single bead of adhesive to the middle of the backsplash beginning and ending 1" from each end.
7. Set the vanity top in desired position of the vanity and apply pressure down and toward the walls to secure the vanity top.
8. If the vanity top has a wall end, be sure the end splash fits well. The end splash should fit easily against the backsplash, evenly with the front of the vanity top. Some sanding or grinding of hidden edges may be necessary to achieve a proper fit. Apply a single bead of adhesive to the back of the end splash and secure it to the wall.
9. Connect the drain and water supply lines.
10. Seal all wall joints with silicone caulk.
11. Protect the lavatory with a soft cloth or cardboard during construction. The flat surface is an inviting place for even the most careful tradesmen to place tools.

Cultured Marble and Cultured Granite Installation (continued)

B. Custom Vanity Tops

1. The instructions provided in Section A are the same for all
2. When installing a vanity top into a corner or between two walls, it may be necessary to cut the vanity top or notch the drywall to ensure a proper fit.
3. Cut the entire width of the vanity top using a skill saw with a masonry blade. Turn the top upside down and mark it accordingly. Start cutting at the backsplash and move towards the front of the unit. Be sure to clamp or hold the vanity top securely.
4. In most cases, only the backsplash gets in the way when trying to set the unit into place. Notching the drywall allows one corner of the vanity top to slide into the wall unit; the other side comes down level with the vanity.

C. Custom Vanity Tops Without Backsplash

1. Following are a few additional items to consider when installing a custom vanity top without a backsplash.
2. Tops without backsplashes usually are easier to fit. However, because there is no backsplash, the strength of the marble is weakened and the top can break if caution is not exercised during installation.
3. Separate backsplashes and end splashes can be warped to fit the wall and alleviate some of the wall's irregularities. These separate pieces are installed the same way as the end splash discussed in section A.



Cultured Marble and Cultured Granite Installation (continued)

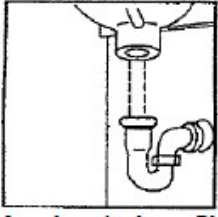
Disclaimer

The guidelines contained in this document are published by Virginia Marble Manufactures, Inc. as an educational service to retailers, consumers, installers, and other users of cultured marble products. The information and procedures contained in this document have been compiled from sources believed to be reliable. They are not intended to represent the exclusive, or necessarily the best, acceptable or safe procedures for the installation of cultured marble. Under certain circumstances or conditions, additional or different procedures may be required.

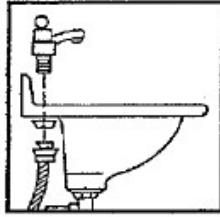
Virginia Marble Manufactures makes no express or implied warranty, guarantee or representation, expressed or implied, as to the validity or sufficiency of any procedure, or related information, contained in this document. Virginia Marble assumes no responsibility for any property damage, including but not limited to damage to any cultured marble product or material, or personal loss or injury that may result from the use or misuse of these procedures nor from any other information contained herein.

Cultured Marble and Cultured Granite Installation (continued)

INSTALLATION INSTRUCTIONS

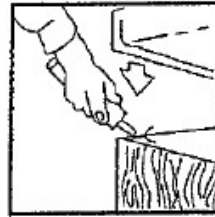


Level vanity base. Place the vanity top on the vanity. Check positioning of water lines and drain.

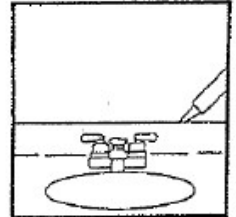


Remove the vanity top from vanity and mount your faucet to the vanity top. Tighten pop up drain by hand. (Warning: Overtightening can cause cracking.)

Attach the water lines to faucet.



Apply thin bead of sealing compound where vanity meets the cabinet. Clean excess sealing compound with a damp cloth.



Carefully apply a bead of sealing compound where backsplash meets wall. Clean excess sealing compound with a damp cloth. Complete water and drain connections.

1. Carefully inspect product prior to installation or removal of an existing top.
2. Verify that vanity base or supporting surface is level and flat. If wall to wall installation, check wall dimension against vanity top.
3. It may be necessary to sand or cut edge of top if walls are not square. Dimensional tolerances of $\pm \frac{1}{4}$ " should be expected on all products.
4. Hardware can be installed at this point per manufacturer's instructions. Do not over tighten drain fixture. Apply a high quality clear silicone sealant to bottom of the top where drain gasket seals and under drain fitting flange. Hand tighten plus one-half turn should be sufficient. Wipe off excess sealant immediately.
5. Apply small amount of sealant to each corner of cabinet or support and place top into position.
6. If side splashes are used, they can now be installed by applying sealant to back of splash and pressing firmly against wall.
7. Joints or seams may be caulked with clear or white silicone. For best results, always follow manufacturer's recommendation for application and clean up.
8. Hot water temperature should not exceed 130°F. Higher temperatures can shorten the lifespan of your vanity top.

Notice To Installer:

Do Not wipe excess caulk or silicone on surface of top, or protective film. This will cause yellowing!

This is not covered under warranty!



Care and Maintenance

Cultured Marble and Cultured Granite Care and Maintenance

Cleaning:

Cultured Marble and Cultured Onyx provide extremely durable, nonporous surfaces which resist staining. Routine cleaning with a soft sponge or cloth, or a nonabrasive aerosol foam cleaner, is all that is normally needed to give many years of trouble-free services. Products such as “Soft Scrub” or “Comet” are not recommended, as they tend to reduce the shine of the gel coat, and leave small scratches.

Polishing:

To maintain luster and make cleaning easier, periodic applications of paste wax or products like “Gel Gloss” may be applied. Take care in using a clean, soft cloth for both applying the wax and polishing the top. “Gel Gloss” can be purchased at home centers and plumbing supply stores that sell cultured marble.

Removing Scratches:

Mild abrasives such as automotive polishing compound, or baking soda, will remove simple scratches and stains. After using a polishing compound, if the scratches are still visible, try using 600 grit wet/dry sand paper, lightly rubbing at the area. To sand as flat as possible, try using a small block of wood with the sand paper around it, this prevents from putting any type of indentation in the surface by using your hands, and allows for more even sanding. At Virginia Marble we use air powered disc sanders and orbital buffers for the volume of sanding and buffing that we do. A soft terry cloth will work just as well.

Cutting or Drilling:

Masonry blades are recommended for cutting tops or panels made of cultured marble. Always cut from the rough or unfinished side of the marble. Once the material has been cut, the edge cannot be refinished, so work with an edge that will be concealed on the finished product. Drilling requires the same steps as cutting.

Cultured Marble and Cultured Granite Care and Maintenance (continued)

Gel Coat Repair Kit:

Virginia Marble is willing to provide a gel coat repair kit to any customer that will include instructions and the products needed. If you should chip the gel coat surface, this can be fixed with little effort. However, a chip that goes beyond the surface of the gel coat and into the matrix of the top will be a larger repair. The repair kit is specifically for patching the gel coat; other materials will be needed to repair a deeper chip and should be done professionally.

Cultured Marble and Cultured Granite Standard Repair Procedure

For repairing minor chips, gouges, and surface scratches, use the materials supplied in your repair kit and proceed as follows.

1. If repairing a chip or deep scratch where matrix is exposed, use a dremel tool or like product to smooth down rough or sharp edges and to smooth surface of aggregate in the chip.
2. Mix a small amount of gel coat (approximately ½" deep in a 6oz. Dixie cup) and add 4-8 drops of hardener. Warm temperature >68 degrees 4 drops, Cool temperature <68 degrees 4-8 drops.
3. Fill damaged area with gel coat (adding white pigment provided if necessary, to match color) until application of gel coat is slightly higher than the surrounding surface. For granite repairs, always specify color and use same procedures.
4. While gel coat is still wet, place a piece of wax paper over the area of repair and very lightly press into gel coat, making sure the area of repair is still slightly higher than surrounding surface. Note: Wax paper should be just about 1 ½ times the size of the repair. Be careful not to trap air pockets when applying wax paper.
5. After curing of gel coat in repaired area (about 10-12 hours) carefully wet-sand the repaired area using a sanding block and #400 grit paper until almost flush with the surrounding surface.
6. Change to #600 grit paper and wet-sand the repaired area until it is flush with the surrounding surface.
7. Change to #1200 grit paper and wet-sand the repaired area until it is perfectly smooth.
8. Use buffing compound and a clean cloth or towel to restore original sheen.

Notes: Light surface scratches can often be polished out with an electric buffer. Use clean water each time you wet-sand, use a sanding block on flat surfaces, electric buffer may be used in final polishing, but be careful not to build up excessive heat as it can burn the surface of the top.

Repair Kit Contains: Clear Gel Coat, Hardener, Color, Polishing Compound, Tongue Depressors.

September 2024

Natural Stone Care and Maintenance

Natural Stone Disclaimer:

Granite is a coarse grained crystalline igneous rock composed primarily of quartz and feldspar. It forms from slowly cooling magma that is subjected to extreme pressures deep beneath the earth's surface. Because it is a natural material, it is subject to variation in mineral composition affecting color, flecks and other aspects of appearance.

Granite is a natural material; each top is one of a kind. This material will vary to some degree from piece to piece.

Handle with Care

The weight of a granite or engineered stone vanity top is heavier than that of a cultured marble vanity top. Please address safety and handling issues for lifting, loading and unloading accordingly.

Also notable is the size and the composition of the quartz deposits within each granite top. The smaller the quartz count, the denser the material, therefore the stronger the product. **ALL GRANITE IS FRAGILE.**

Example: Ubatuba has a naturally higher quartz content, making it a more fragile product than other granites. Special care must be taken in handling all-natural stone tops.

Each top will have a **HEAVY/FRAGILE** sticker on the outside of the carton. This should draw attention to anyone who handles the product.

Natural Stone Care and Maintenance (continued)

Cleaning

- Always wipe up spills as soon as possible with warm water and cloth or paper towel.
- Clean stone surfaces with a few drops of non-acidic soap scum remover, or a mild liquid dish-washing detergent.
- Frequent or over-use of soap scum remover could result in dulling the surface of the stone.
- Too much cleaner or soap may leave a film and cause streaks.
- Thoroughly rinse and dry the surface after washing.
- Do not use products that contain lemon, vinegar or other acid content that may etch the surface.
- Do not use abrasive cleaners such as dry cleaners or soft cleansers.
- Do not use cleaners that contain acids such as bathroom cleaners, grout cleaners, or tile cleaners.
- Do not mix bleach and ammonia; this combination creates a toxic and lethal gas.
- Customers should avoid products containing harsh chemicals such as paint strippers, furniture strippers, bleach, nail polish remover and oil soaps. If these products do come in contact with the countertop, rinse immediately with clean, warm water to minimize the negative effects.

Spills and Stains

Blot the spill with a paper towel immediately. Do not wipe the area as this will only spread the spill. Flush the area with plain water and mild soap and rinse several times. Dry the area thoroughly with a soft cloth. Repeat as necessary.

Sealing

We recommend that the customer re-seal the product thirty to sixty days after installation with Regent Stone Sealer. With every stone vanity top there is a care procedure that explains, in detail, the sealer process.

Natural Stone Care and Maintenance (continued)

Products Not To Use And Why Not To Use Them

Stone is a chemical in solid form. When an improper chemical is used, it reacts.

Please be careful when choosing a cleaning product. Please read all labels and ingredients carefully

ACIDS- These are acidic chemicals and they will burn the stone and also dull the stone.

- Drano
- Lime Away
- Calcium, Lime, Rust Remover (CLR)
- Kaboom & Zap
- Vinegar
- Fruit juices
- Alcoholic beverages
- Most household/bathroom cleaning products

ALKALIS

- Windex attacks color minerals of the stone. Black, for example, will turn grey over time.
- 409, Fantastic, Kaboom & Zap, Strippers, Degreasers, Ammonia, and most household cleaning products.
- Soap & Water - Soap leaves a film and water leaves mineral deposits, both of which cause dulling.
- Murphy's Oil Soap & Pine Sol - these products can stain the stone and darken the color over time. They will also create a very slippery surface and can leave a film-like haze on the stone.
- Bleach & Water - using this will take the color out of the stone.

Natural Stone Care and Maintenance (continued)

Regent Stone Care Kit Direction

There are three 8oz. bottles in the kit. This kit will include everything you need to keep your natural stone looking new.

1. Stone Soap (pH neutral product) is an easy-to-use cleaner that is excellent for day to day use. Just spray a little on the surface and wipe off with a cotton cloth. The emulsifying agents in the product deep clean the stone. Non-streaking.
2. Protect and Shine is an easy to use cleaner and polish in one. It is recommended that you do small areas at a time using a cotton cloth to buff out the surface. Provides additional shine and stain protection in between sealing.
3. Silicone Impregnator provides excellent water and oil repellency. This odorless and colorless product will not change the appearance of the stone. Make sure the surface that is to be sealed is completely dry. Spray the product onto the surface of the stone making sure to cover the entire surface with a thin film. Wait 10-15 minutes (sooner if stone absorbs product more quickly) and apply a second coat. Wipe off excess after 15 minutes. Do not let the product dry on the surface. Buff with clean cotton cloth.

Any questions on sealing or stain remover, please feel free to contact Regent Stone Care at the contact information below to answer your questions or concerns.

Contact Information 1-800-624-8210 or www.Regentstoneproducts.com

Items Recommended:

- Regent Stone Care Kit
 - www.regentstoneproducts.com, Click on the Home Care tab and select the Stone Care Kit
- Mangia Macchia Stain Remover
 - www.regentstoneproducts.com, Go to the Home Care tab and select the Stain Remover
- Stone Sealer- Regent Silicone Impregnator

Quartz Care and Maintenance

Regular Cleaning:

Quartz is an extremely durable, non-porous material. Regular cleaning should consist of wiping the top with a damp, non-abrasive cloth. You may put a mild, non-abrasive liquid cleaner on the cloth, such as normal liquid dish soap, if you wish. Be sure to remove all soap from the top when finished, first with a damp cloth, then use a fresh cloth or towel to dry the top.

Tough Spots:

When cleaning tough spots, special care must be taken not to damage the finish on the top. This can be accomplished by applying a small amount of Simple Green All Purpose Cleaner or 409 Glass and Surface Cleaner, (Bar Keepers Friend can be used on extremely tough spots such as rust spots) to a wet cloth or white scotch bright pad (green or red scotch bright pads may damage the finish), not the top itself, and wipe only the area of the spot

with a light amount of pressure. Rinse the area with warm water and dry using a soft towel or cloth immediately after. Ajax and Comet are not recommended as they are abrasive and may damage the finish.

Dried Materials:

Cleaning dried spills such as nail polish, toothpaste, or gum is a two-part process. First, scrape away most of the dried spill using a plastic putty knife and gentle pressure. Then, follow the regular cleaning procedure until the remaining spill disappears. Do Not Use Abrasive Cleaners or Pads as the abrasive materials may damage the tops finish.

Heat:

Quartz is well suited to withstand normal everyday use, but as with all natural stone products, quartz is still susceptible to thermal expansion. Items that produce a large amount of heat, such as curling irons, should not be left in direct contact with the top. Leaving items that produce a large amount of heat directly on the top may result in cracking.

Quartz Care and Maintenance (continued)

Sealing:

Quartz does not need to be resealed or have sealers applied to it. The sealer will not be able to penetrate the quartz. This sealer material left on the surface of the top may cause the top to look as though the finish is wearing, though it is the sealer itself that is wearing.

Damage Protection:

Quartz is a very durable material, but not impervious to damage. Metal objects such as kitchenware, screwdrivers, and knives should not be used to scrape or cut on top of the surface without material, such as a cutting board, between it and the top. Failure to use material resembling a cutting board may result in scratches or chips in the finish. This material is designed to handle everyday pressure, but extreme pressure resulting from excessive pushing or dropping of heavy objects may result in cracking or damage to the top.

Materials Not to Use:

Do not use high or low PH cleaners on your quartz top, such as acid-based cleaners, furniture cleaners, concentrated bleach, paint removers, drain cleaners, toilet bowl cleaners, nail polish remover, acetone, or oil soap as these may damage the finish. If these products come in contact with the top, immediately rinse the area with

warm water and dry to prevent permanent discoloration. Keep permanent markers and inks away from the top as these may produce a mark on the finish that is difficult to remove. If ink or permanent markers are used/spilled on the top, follow the Tough Spot cleaning procedure. Do not use abrasive cleaning materials or products, as these may damage the finish.

Quick Quartz Care Guide

Do

- Clean on a regular basis.
- Use protective mats/boards when cutting or using tools.
- Rinse off all soap and dry after each cleaning.
- Use a clean, grit free soft cloth when cleaning your quartz top.
- Clean all spills immediately before they have a chance to dry.
- Immediately rinse with warm water and dry the top if any high or low PH items such as acid, furniture cleaner, or concentrated bleach gets on the top.
- Use a plastic putty knife to scrape dried spills off the top.
- Clean with a white Scotch Brite Pad.
- Call Virginia Marble if you do not understand these cleaning instructions. 1-800-552-1006

Don't

- Use Abrasive Cleaners or Pads.
- Use high or low PH products such as acids, furniture cleaners, drain cleaners, toilet bowl cleaners, or concentrated bleach.
- Leave heat producing items, such as curling irons, directly on the top.
- Use metal items to cut or scrape on the top.
- Seal or attempt to use sealers on the top.
- Leave soap residue, cleaning products, or spills on the top for prolonged periods of time.
- Place excessive force on the top.
- Use or place Oil Soaps on the vanity.
- Clean with a Red or Green Scotch Brite Pad.
- Apply Comet or Ajax to the top.
- Keep permanent markers or inks on the top.



Warranties



Cultured Marble and Cultured Granite Warranty

Seller warrants to its immediate purchasers that all new products supplied by seller are free from defects in workmanship and materials used in manufacturing of the same, when installed and used in accordance with seller's recommended procedures. Seller's obligation under this warranty is limited to repairing or replacing, as seller may elect, any product sold by seller which shall be returned to seller's place of business, with transportation charges prepaid, and as to which examination shall disclose to seller's satisfaction to have been thus defective, provided that such products shall be so returned no later than thirty-six (36) months from seller's shipment of same to purchaser. Such defective product shall be repaired or replaced at seller's place of business.

The seller will not provide, or pay the cost of removal of defective products, installations or repaired or replaced products, or third-party transportation of either repaired, replaced or defective products. The warranty must provide any pay for such items.

This warranty shall not apply, and seller have no liability with respect (1) to the removal or reinstallation of warranted products; (2) to any product installed or used in any way so as to have affected adversely such product; (3) damages to products while in transit after leaving seller's place of business; (4) cracks or chips in surface unless caused by defects in workmanship or material; (5) slight imperfections, warpage and shade variation in products; or (6) any transportation or cartage charges.

Close inspection of synthetic marble may reveal minor surface irregularities and warpage, color variation, small particles of foreign matter and other conditions commonly encountered with products of nature such as stone, marble, granite, etc.

This warranty is in lieu of all warranties, express or implied, including but without limitation, warranties of MERCHANTABILITY and FITNESS FOR PARTICULAR PURPOSE, all other representations to purchaser, and all other obligations for liabilities, including liability for incidental or consequential damages on the part of the seller. No person is authorized to give any other warranties or to assume any liability on seller's behalf unless made or assumed in writing by seller.



Natural Stone and Quartz Warranty

Seller warrants to its immediate purchasers that all new products supplied by seller are free from defects in workmanship and materials used in manufacturing of the same, when installed and used in accordance with seller's recommended procedures. Seller's obligation under this warranty is limited to repairing or replacing, as seller may elect, any product sold by seller which shall be returned to seller's place of business, with transportation charges prepaid, and as to which examination shall disclose to seller's satisfaction to have been thus defective, provided that such products shall be so returned no later than twelve (12) months from seller's shipment of same to purchaser. Such defective product shall be repaired or replaced at seller's place of business.

The seller will not provide, or pay the cost of removal of defective products, installations or repaired or replaced products, or third-party transportation of either repaired, replaced or defective products. The warranty must provide any pay for such items.

This warranty shall not apply, and seller have no liability with respect (1) to the removal or reinstallation of warranted products; (2) to any product installed or used in any way so as to have affected adversely such product; (3) damages to products while in transit after leaving seller's place of business; (4) cracks or chips in surface unless caused by defects in workmanship or material; or (5) any transportation or cartage charges.

This warranty is in lieu of all warranties, express or implied, including, but without limitation, warranties of MERCHANTABILITY and FITNESS FOR PARTICULAR PURPOSE, all other representation to purchaser, and all other obligations for liabilities, including liability for incidental or consequential damages on the part of the seller. No person is authorized to give any other warranties or to assume any liability on seller's behalf unless made or assumed in writing by seller. Seller warrants to its immediate purchasers that all new products supplied by seller are free from defects in workmanship and materials used in manufacturing of the same, when installed and used in accordance with seller's recommended procedures. Seller's obligation under this warranty is limited to repairing or replacing, as seller may elect, any product sold by seller which shall be returned to seller's place of business, with transportation charges prepaid, and as to which examination shall disclose to seller's satisfaction to have been thus defective, provided that such products shall be so returned no later than (12) months from seller's shipment of same to purchaser. Such defective product shall be repaired or replaced at seller's place of business.



Information Needed When Placing an Order

Information Needed When Placing an Order for Cultured Marble or Cultured Granite

Bowls and Vanities

Quantity

Description: text description of item being ordered and /or any details not included in the order form fields.

Diagram/drawing required for three or more bowls and anything with a custom angle.

Color*: Virginia Marble code and/or color name

Length of vanity in inches

- Maximum length is 144" (12 feet)
- Dimensional variance of plus/minus 1/4"

Depth* of vanity in inches

The following depths are available with an integral backsplash 17", 19", 22", 24" & 25".

Any custom depth or design will have a separate backsplash.

Bowl Type and Edge Profile*

Bowl quantity per vanity: when ordering three or more bowls, a drawing is needed

Offsets (if applicable) in inches

Please specify bowl placement as follows:
C = Center L= Left R = Right

Drills: Faucet spread

End splash

- R-E/S = right hand end splash
- L-E/S = left hand end splash
- PR-E/S = pair of end splashes

Finished Ends

- R-Finished = right hand finished
- L-Finished = left hand finished
- B-Finished = both sides finished

Vanity tops include 4" integral backsplash unless otherwise specified.

*See Cultured Marble Standard Bowl and Vanity Options, Cultured Marble Custom Bowl and Vanity Options, and Materials and Colors on following pages for more details and item codes.

Shower Products

Quantity

Description: Item code, name, or a description

Color*: Virginia Marble code and/or color name

September 2024

Length: shower panels only

Depth: shower panels only

Information Needed When Placing an Order for Natural Stone or Quartz

Description: text description of item being ordered and /or any details not included in the order form fields.

Diagram/drawing required for three or more bowls, custom cutouts, and anything with a custom angle.

Quantity

Length of vanity in inches. Up to 120" depending on color selection.

Depth of vanity in inches: 19 1/2" or 22 1/2"

Color: Virginia Marble code and/or color name

Bowl Type and Color: Undermount rectangular or oval in white or biscuit

Bowl quantity per vanity: when ordering three or more bowls, a drawing is needed

Offsets (if applicable) in inches

Please specify bowl placement as follows:
C = Center L= Left R = Right

Drills: Faucet spread

- 4", 8", or 8" contoured

End splash

- R-E/S = right hand end splash
- L-E/S = left hand end splash
- PR-E/S = pair of end splashes

Finish 4th side if applicable. Eased finish provided on front and both ends.

Custom options as applicable



Order Forms



CULTURED MARBLE ORDER FORM

send completed order form to orders@virginiamarble.com

Request Date:		Customer #:		Quote #	
Customer Information			Ship To Information		
Contact					
Phone					
Email					
Company					
Address 1					
Address 2					
City, ST Zip					

If you were provided with a quote, please include the quote # and/or attach the quote to your order.

Comments or special instructions: _____

New customer

Job Name/PO #: _____

Quantity	Description (or diagram reference)	Bowl Type / Edge Profile	Length	Depth	Color	Bowl Qty	Offsets	Drills	Endsplash	Finished Ends

Please provide drawing/diagram for three or more bowls, custom universal shower pan, or other custom features not included in diagram sheets.

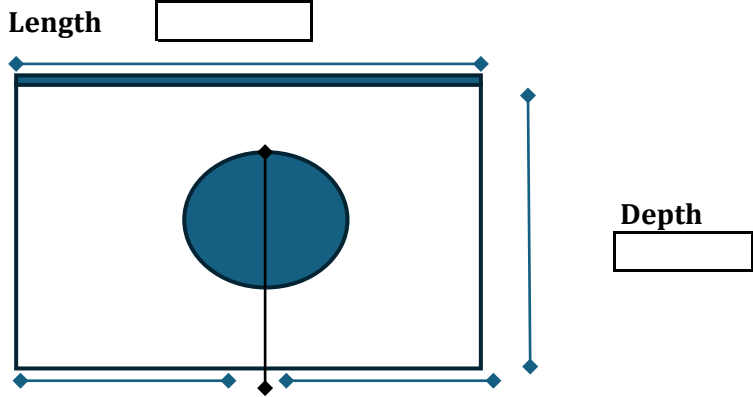


Company: _____

Job Name/PO#: _____

Diagram A-1

Quantity	Bowl Type	Edge Profile	Color	Bowl Qty

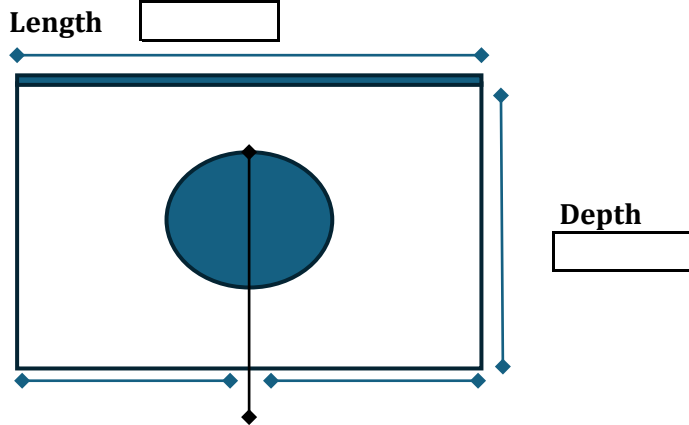


Offset (L)	Offset (R)	Drills	End splash (L/R/B)	Finished edge (L/R/B)

Notes

Diagram A-2

Quantity	Bowl Type	Edge Profile	Color	Bowl Qty



Offset (L)	Offset (R)	Drills	End splash (L/R/B)	Finished edge (L/R/B)

Notes

You must complete page 1.



Company:
Job Name/PO#:

Diagram B-1

		Edge		
Quantity	Bowl Type	Profile	Color	Bowl Qty

Length

Offset (L)	Offset (R)	Drills	End splash edge (L/R/B)	Finished edge (L/R/B)

Notes

Diagram B-2

		Edge		
Quantity	Bowl Type	Profile	Color	Bowl Qty

Length

Offset (L)	Offset (R)	Drills	End splash edge (L/R/B)	Finished edge (L/R/B)

Notes

You must complete page 1.

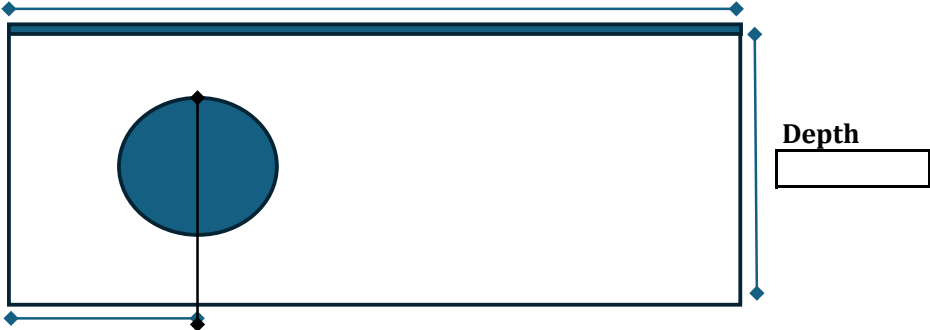


Company:
Job Name/PO#:

Diagram C-1

Quantity	Bowl Type	Edge Profile	Color	Bowl Qty
<input type="text"/>	<input type="text"/>	<input type="text"/>	<input type="text"/>	<input type="text"/>

Length



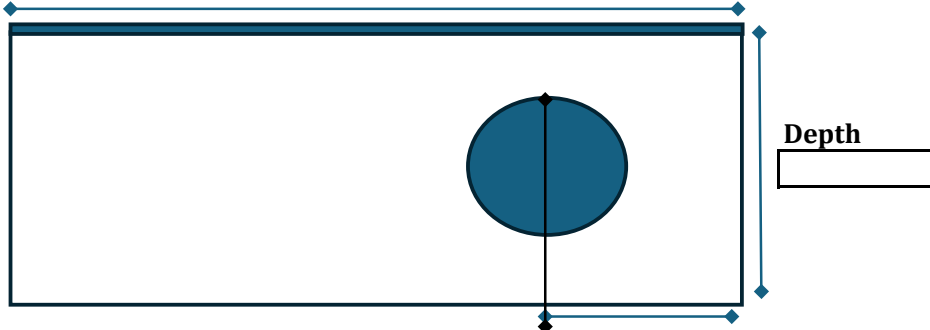
Offset (L)	Offset (R)	Drills	End splash edge (L/R/B)	Finished edge (L/R/B)
<input type="text"/>	<input type="text"/>	<input type="text"/>	<input type="text"/>	<input type="text"/>

Notes

Diagram C-2

Quantity	Bowl Type	Edge Profile	Color	Bowl Qty
<input type="text"/>	<input type="text"/>	<input type="text"/>	<input type="text"/>	<input type="text"/>

Length



Offset (L)	Offset (R)	Drills	End splash edge (L/R/B)	Finished edge (L/R/B)
<input type="text"/>	<input type="text"/>	<input type="text"/>	<input type="text"/>	<input type="text"/>

Notes

You must complete page 1.



Company:

Job Name/PO#:

Diagram D-1

Quantity	Bowl Type	Edge Profile	Color	Bowl Qty
<input type="text"/>	<input type="text"/>	<input type="text"/>	<input type="text"/>	<input type="text"/>

Length



Offset (L)	Offset (R)	Drills	End splash (L/R/B)	Finished edge (L/R/B)
<input type="text"/>	<input type="text"/>	<input type="text"/>	<input type="text"/>	<input type="text"/>

Notes

Diagram D-2

Quantity	Bowl Type	Edge Profile	Color	Bowl Qty
<input type="text"/>	<input type="text"/>	<input type="text"/>	<input type="text"/>	<input type="text"/>

Length



Offset (L)	Offset (R)	Drills	End splash (L/R/B)	Finished edge (L/R/B)
<input type="text"/>	<input type="text"/>	<input type="text"/>	<input type="text"/>	<input type="text"/>

Notes

You must complete page 1.



Company:
Job Name/PO#:

Diagram E-1

Diagram E-1

Quantity	Bowl Type	Edge Profile	Color	Bowl Qty

Length

A B C D Radius

Offset (L)	Offset (R)	Drills	End splash edge (L/R/B)	Finished edge (L/R/B)

Quantity	Bowl Type	Edge Profile	Color	Bowl Qty

Length

A B C D Radius

Offset (L)	Offset (R)	Drills	End splash edge (L/R/B)	Finished edge (L/R/B)

Notes

Notes

You must complete page 1.



Company:

Job Name/PO#:

Diagram F-1

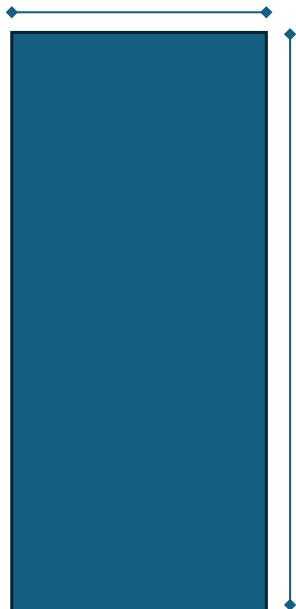
Panel Type

Left Wall

Quantity Color

<input type="text"/>	<input type="text"/>
----------------------	----------------------

Width



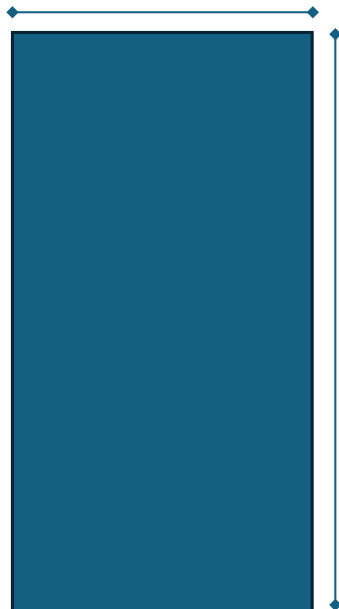
Height

Back Wall

Quantity Color

<input type="text"/>	<input type="text"/>
----------------------	----------------------

Width



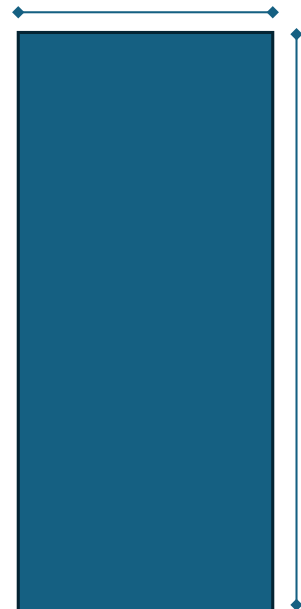
Height

Right Wall

Quantity Color

<input type="text"/>	<input type="text"/>
----------------------	----------------------

Width



Height

Room

Notes

You must complete page 1.



NATURAL STONE AND QUARTZ ORDER FORM

send completed order form to orders@virginiamarble.com

Rqst Date:		Customer #:		Quote #	
Customer Information			Ship To Information		
Contact					
Phone					
Email					
Company					
Address 1					
Address 2					
City, ST Zip					

If you were provided with a quote, please include the quote # and/or attach the quote to your order.

Comments or special instructions:

New customer

Job Name/PO #: _____

Quantity	Description	Length	Depth	Color	Bowl Option Oval Rectangle	Bowl Color White Biscuit	Bowl Qty	Offsets	Drills	Endsplash	Finish 4th side

Please provide drawing/diagram for three or more bowls or other custom features not included in diagram sheets.

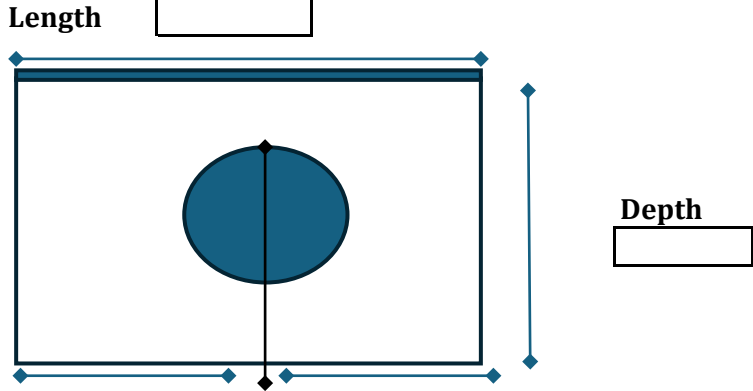


Company:

Job Name/PO#:

Diagram A-1

Quantity	Color	Bowl Option	Bowl Color	Bowl Qty

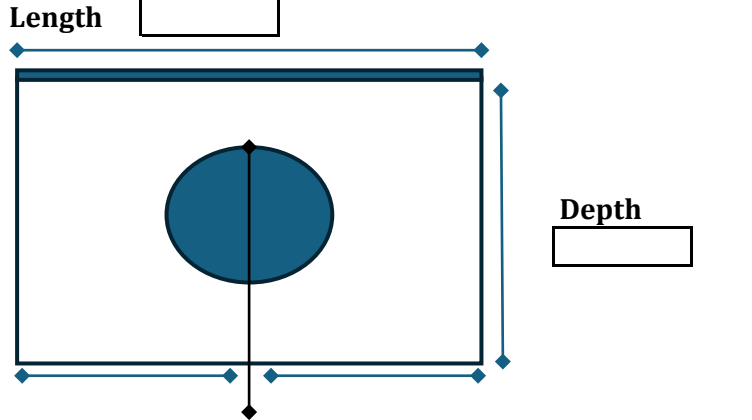


Offset (L)	Offset (R)	Drills	End splash (L/R/B)	Finish 4th side

Notes

Diagram A-2

Quantity	Color	Bowl Option	Bowl Color	Bowl Qty



Offset (L)	Offset (R)	Drills	End splash (L/R/B)	Finish 4th side

Notes

You must complete page 1.

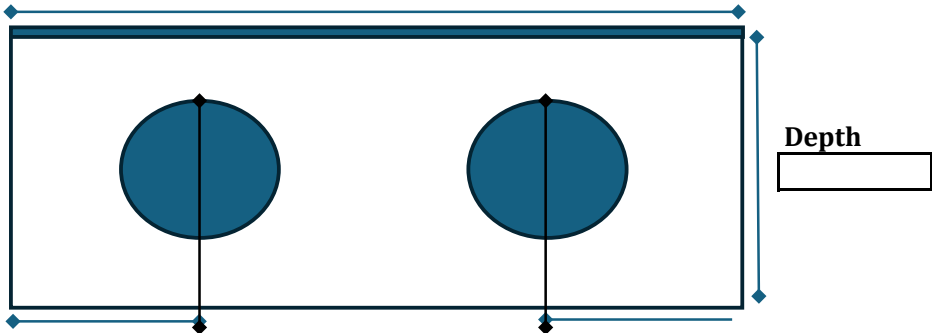


Company:
Job Name/PO#:

Diagram B-1

Quantity	Color	Bowl Option	Bowl Color	Bowl Qty

Length



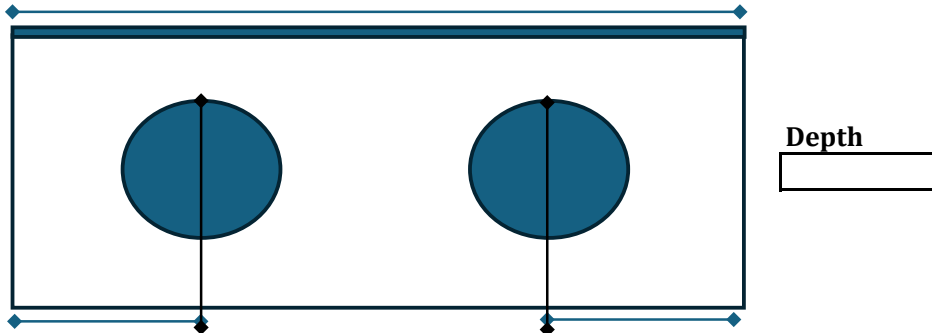
Offset (L)	Offset (R)	Drills	End splash (L/R/B)	Finish 4th side

Notes

Diagram B-2

Quantity	Color	Bowl Option	Bowl Color	Bowl Qty

Length



Offset (L)	Offset (R)	Drills	End splash (L/R/B)	Finish 4th side

Notes

You must complete page 1.

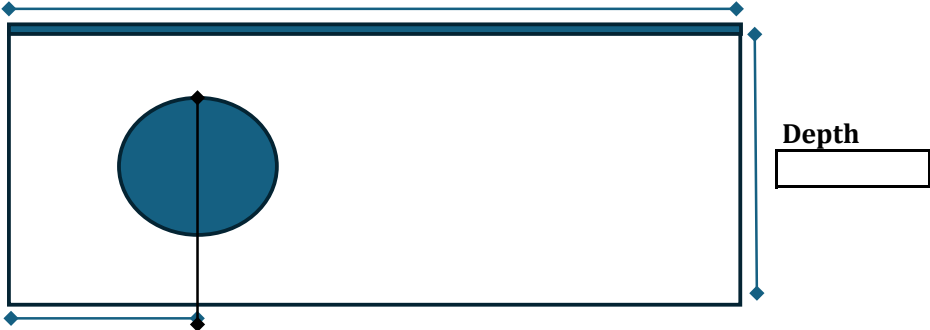


Company:
Job Name/PO#:

Diagram C-1

Quantity	Color	Bowl Option	Bowl Color	Bowl Qty
<input type="text"/>	<input type="text"/>	<input type="text"/>	<input type="text"/>	<input type="text"/>

Length



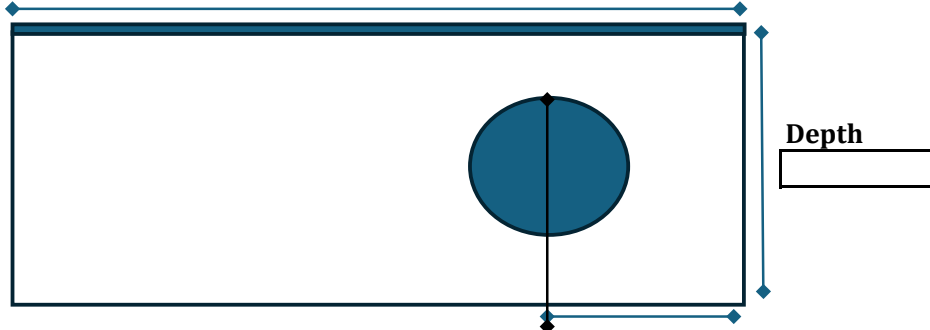
Offset (L)	Offset (R)	Drills	End splash (L/R/B)	Finish 4th side
<input type="text"/>	<input type="text"/>	<input type="text"/>	<input type="text"/>	<input type="text"/>

Notes

Diagram C-2

Quantity	Color	Bowl Option	Bowl Color	Bowl Qty
<input type="text"/>	<input type="text"/>	<input type="text"/>	<input type="text"/>	<input type="text"/>

Length



Offset (L)	Offset (R)	Drills	End splash (L/R/B)	Finish 4th side
<input type="text"/>	<input type="text"/>	<input type="text"/>	<input type="text"/>	<input type="text"/>

Notes

You must complete page 1.



Company:

Job Name/PO#:

Diagram D-1

Quantity	Color	Bowl Option	Bowl Color	Bowl Qty

Length



Depth

Offset (L)	Offset (R)	Drills	End splash (L/R/B)	Finish 4th side

Notes

Diagram D-2

Quantity	Color	Bowl Option	Bowl Color	Bowl Qty

Length



Depth

Offset (L)	Offset (R)	Drills	End splash (L/R/B)	Finish 4th side

Notes

You must complete page 1.