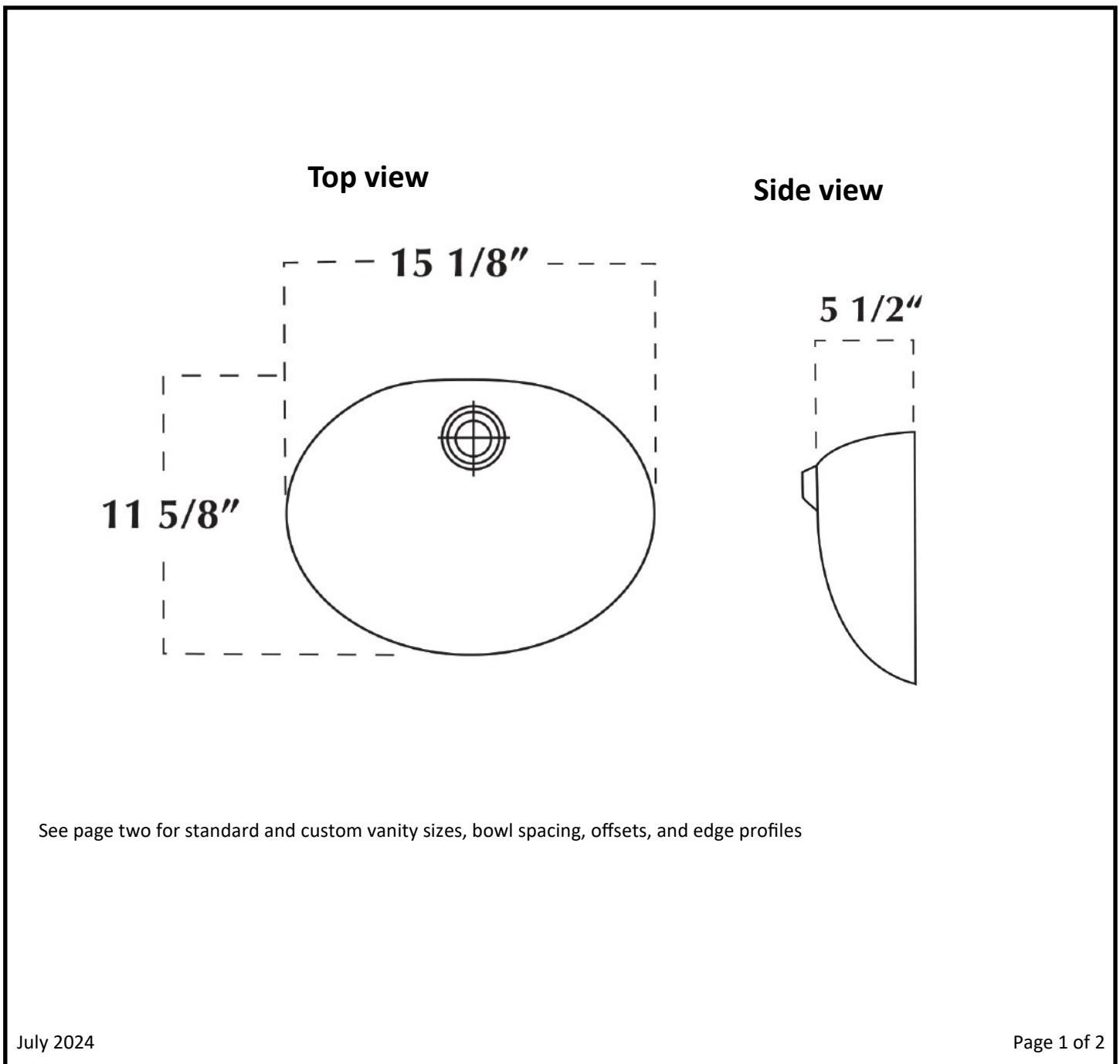


Specifications

SO: Small Oval Bowl with overflow



See page two for standard and custom vanity sizes, bowl spacing, offsets, and edge profiles

Specifications

SO: Small Oval Bowl with overflow (continued)

Standard options:

- Vanity depth: 19"
- Back and end splashes: 4"
- Drills: 4", alternate spacing available if specified

Vanity length	Edge Profiles	Single bowl	Double bowl
25", 31", 37", 43"	DE: Dripless Edge	Centered	---
49"	PE: Plain Edge	Centered	L & R 12.5"
55"	PE: Plain Edge	Centered	L & R 13.5"
61"	PE: Plain Edge	Centered	L & R 12.5" and 15.5"
73"	PE: Plain Edge	Centered	L & R 12.5", 15.5", and 18.5"

Minimum spacing for custom bowls:

- Vanity depth: 19"
- Offset: 9.5"
- Vanity length: 19"
- Spacing between bowls (2 or more): 19"