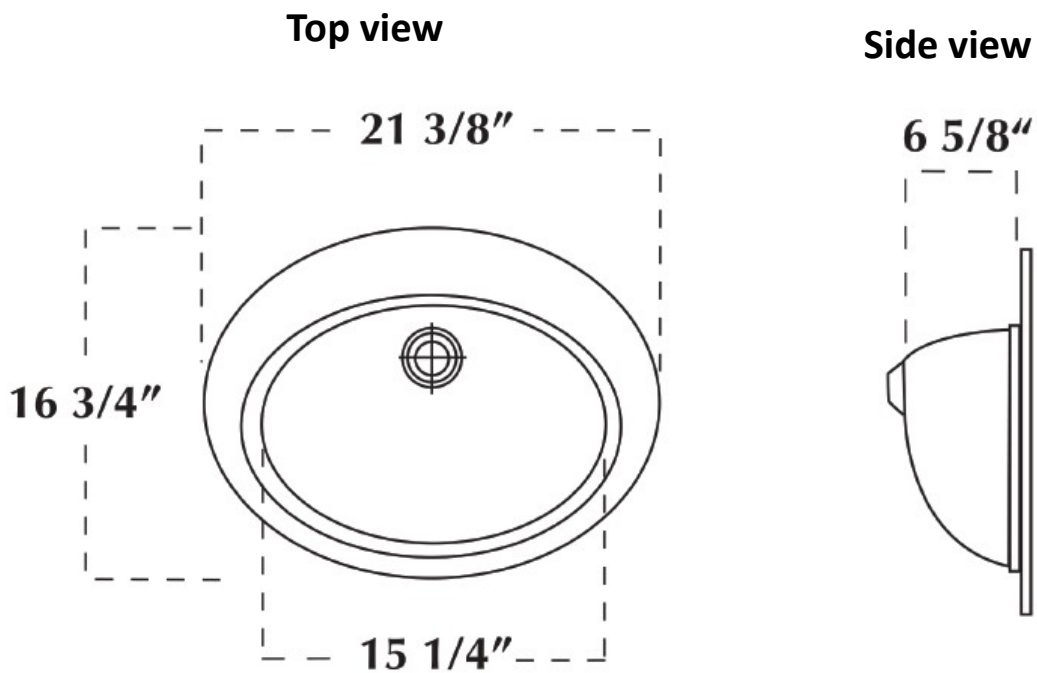


Specifications

RO1: Small Recessed Oval Bowl with overflow



See page two for standard and custom vanity sizes, bowl spacing, offsets, and edge profiles

Specifications

RO1: Small Recessed Oval Bowl with overflow (continued)

Standard options:

- Vanity depth: 19"
- Back and end splashes: 4"
- Drills: 4", alternate spacing available if specified

Vanity length	Edge Profiles	Single bowl	Double bowl
25", 31", 37", 43", 49", 55", 61", 73"	PE: Plain Edge	Centered	---

Minimum spacing for custom bowls:

- Vanity depth: 19"
- Offset: 12"
- Vanity length: 24"
- Spacing between bowls (2 or more): 24"