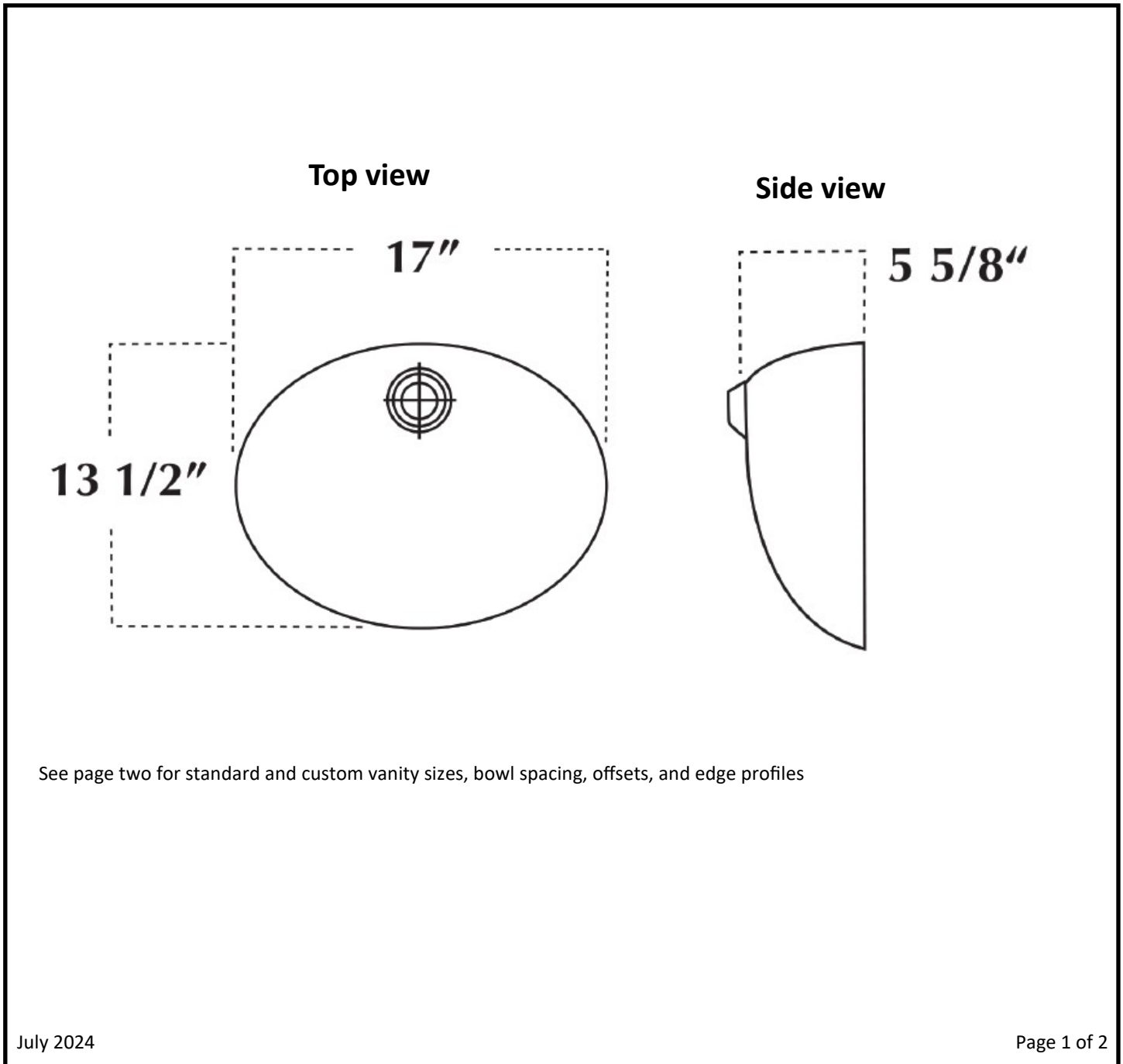


Specifications

LO: Large Oval Bowl with overflow



See page two for standard and custom vanity sizes, bowl spacing, offsets, and edge profiles

Specifications

LO: Large Oval Bowl with overflow (continued)

Standard options:

- Vanity depth: 22"
- Back and end splashes: 4"
- Drills: 4", alternate spacing available if specified

Vanity length	Edge Profiles	Single bowl	Double bowl
25", 28", 31", 34", 37", 43"	PE: Plain Edge	Centered	---
49"	PE: Plain Edge	Centered L or R 12.5"	L & R 12.5"
55"	PE: Plain Edge	Centered	L & R 13.5"
61"	PE: Plain Edge	Centered L or R 15.5	L & R 12.5" and 15.5"
73"	PE: Plain Edge	Centered L or R 18.5"	L & R 12.5", 15.5", and 18.5"
85"	PE: Plain Edge	Centered	L&R 15.5", 18.5", and 21.5"

Minimum spacing for custom bowls:

- Vanity depth: 22"
- Offset: 10"
- Vanity length: 20"
- Spacing between bowls (2 or more): 20"