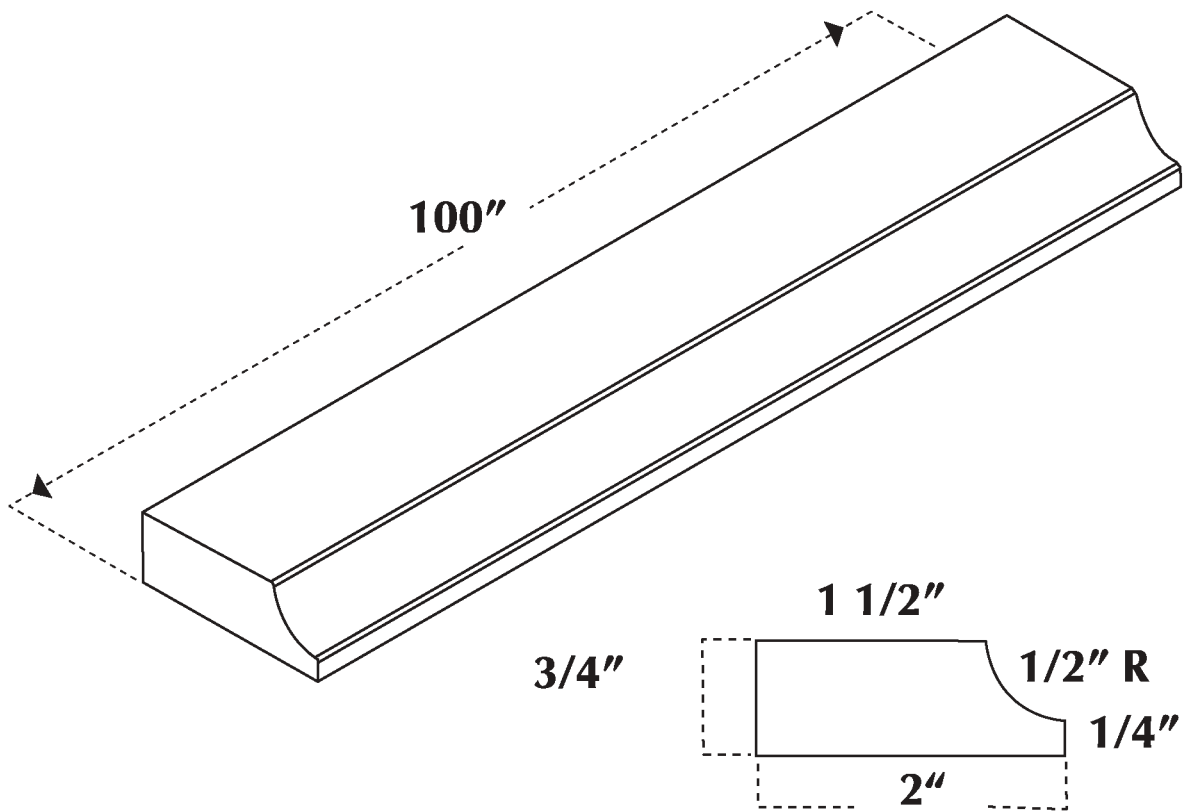


SPECIFICATION DRAWING

Molding Trim Single Edge



SINGLE EDGE