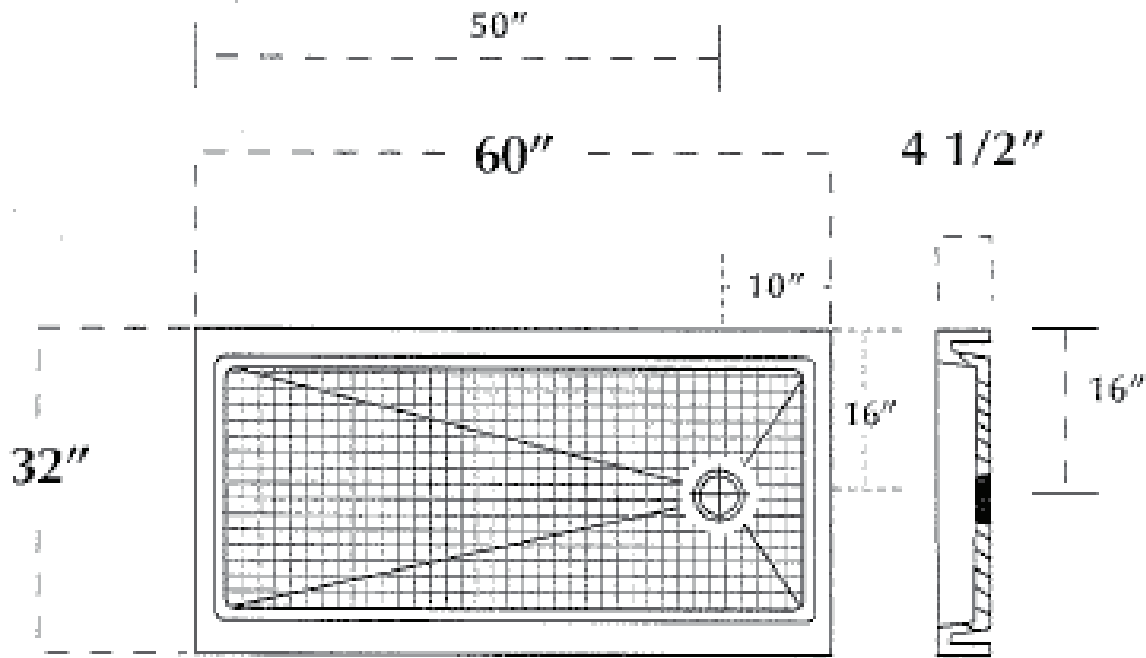


## SPECIFICATION DRAWING

### SHOWER PAN - REPLACEMENT

#1050-06 Double threshold replacement pan "as is" does not have tile flange.  
 #1050-06W W = Water Dam

Fiberglass water dam attached by VMM on 3 sides (32,60,32) to serve as tile flange.  
 If fiberglass water dam is added, the size of the pan will be larger by 1/4" to 1/2" overall.



### REPLACEMENT PAN 1050-06 DOUBLE THRESHOLD

When ordering 1050-06W, specify left hand or right hand drain.