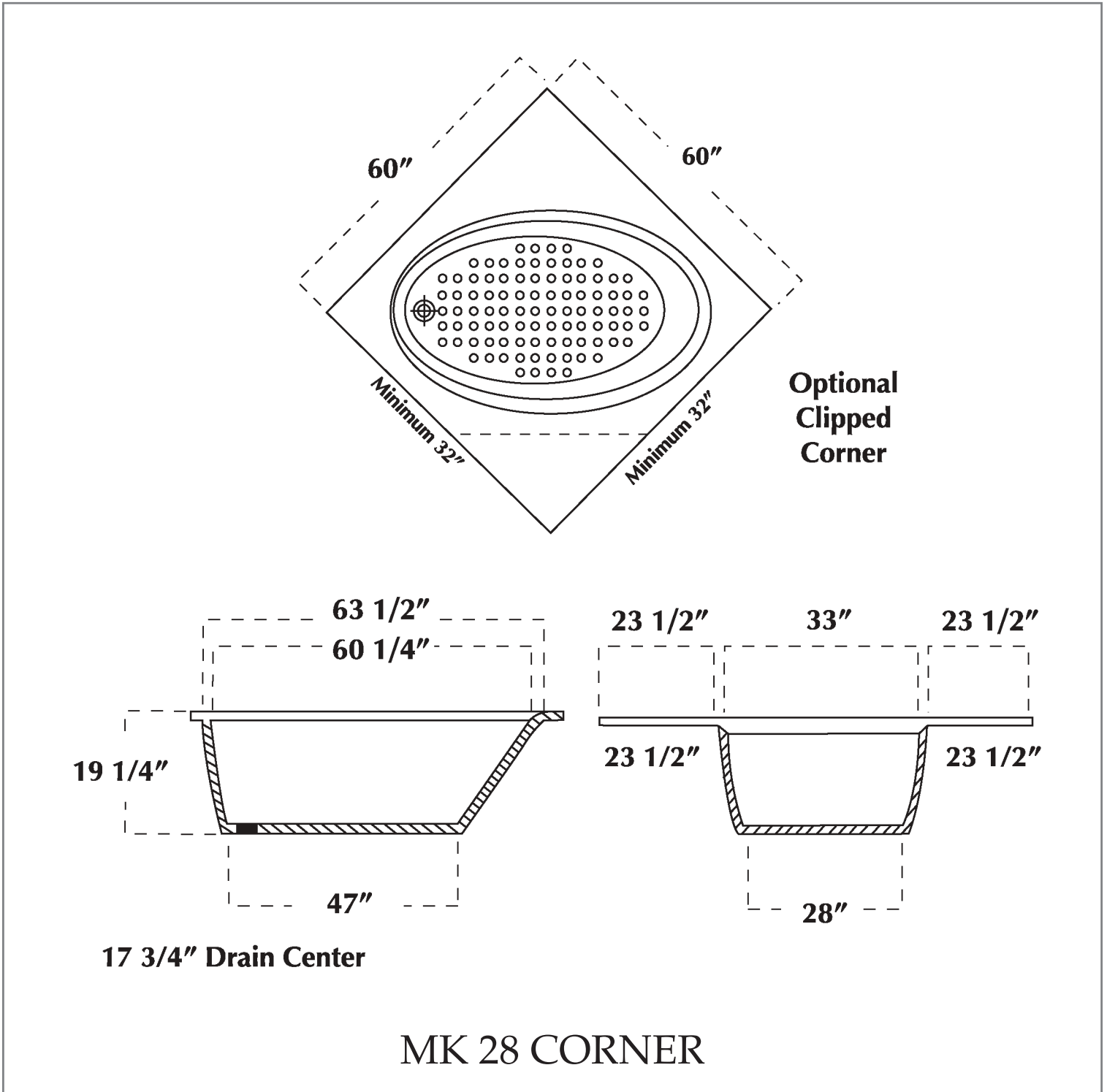


SPECIFICATION DRAWING

TUB MK 28 CORNER



MK 28 CORNER