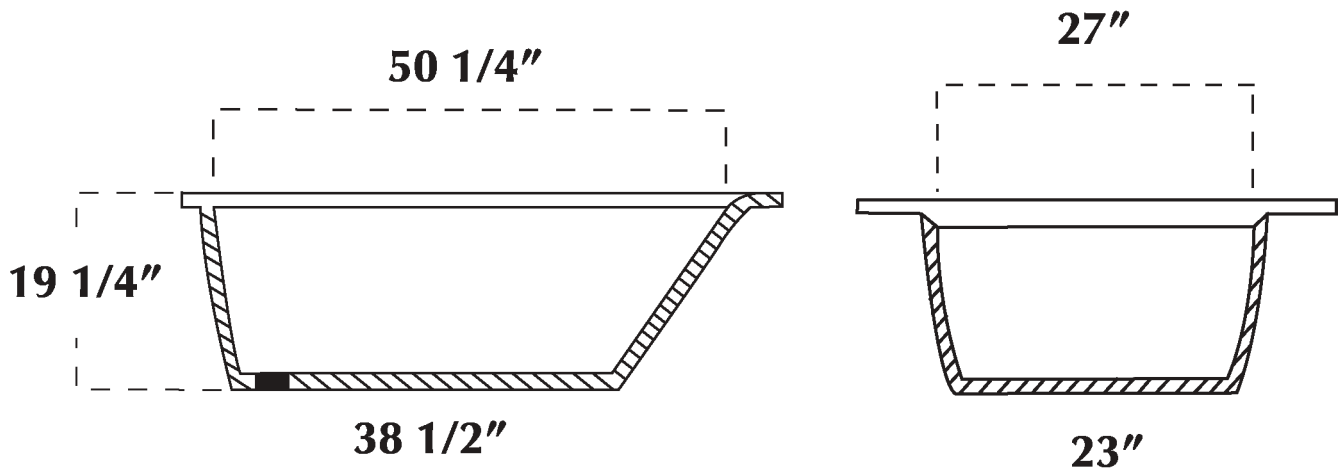
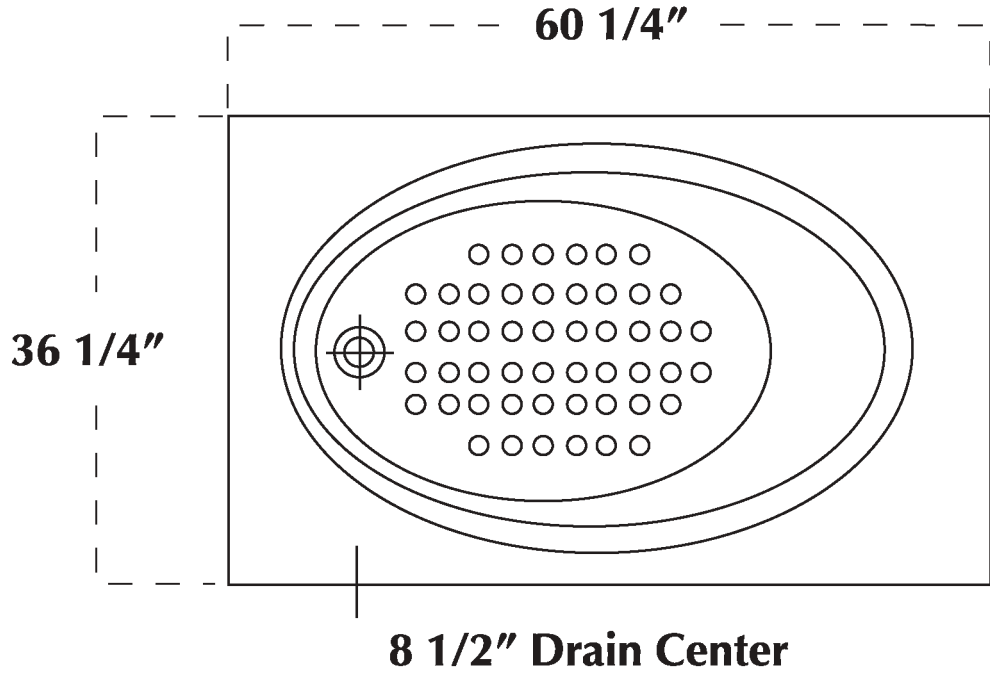


**SPECIFICATION DRAWING**

TUB MK 19



MK 19