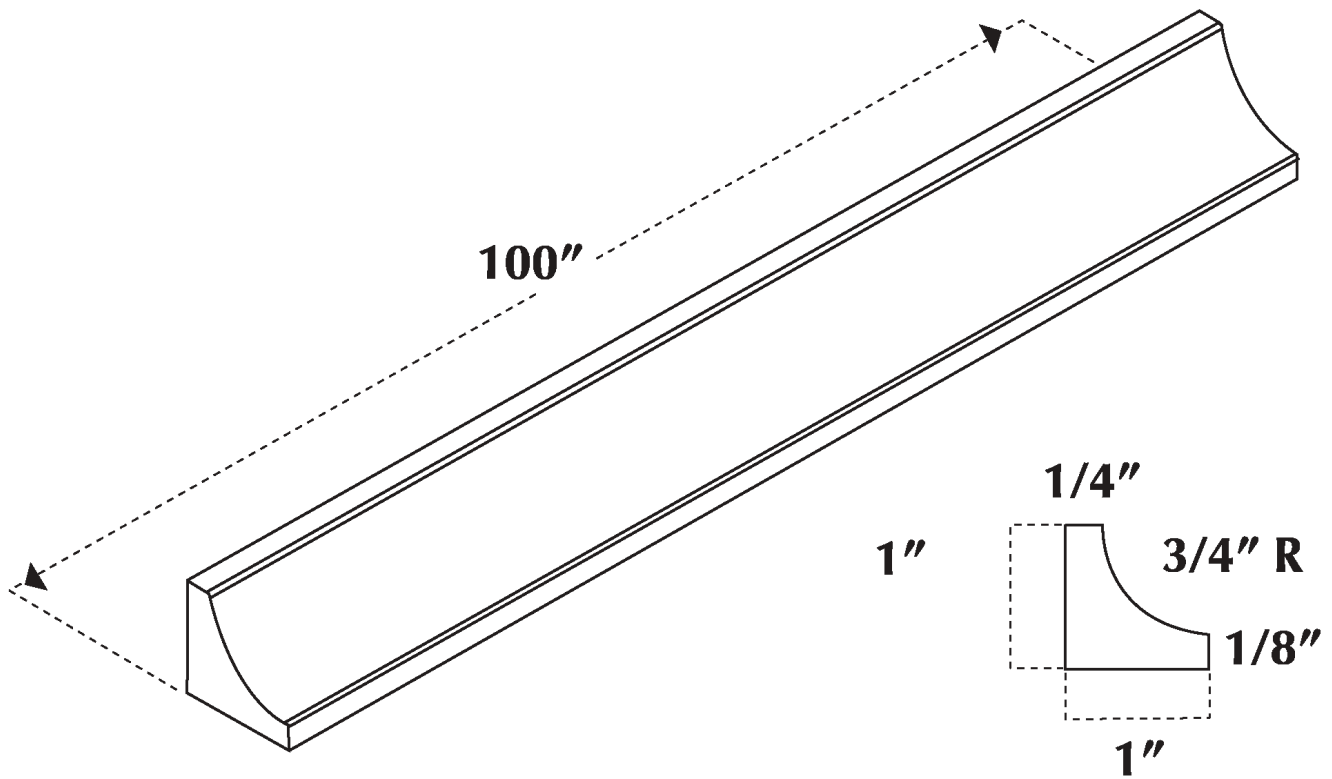


SPECIFICATION DRAWING

Molding Inside Corner



INSIDE CORNER