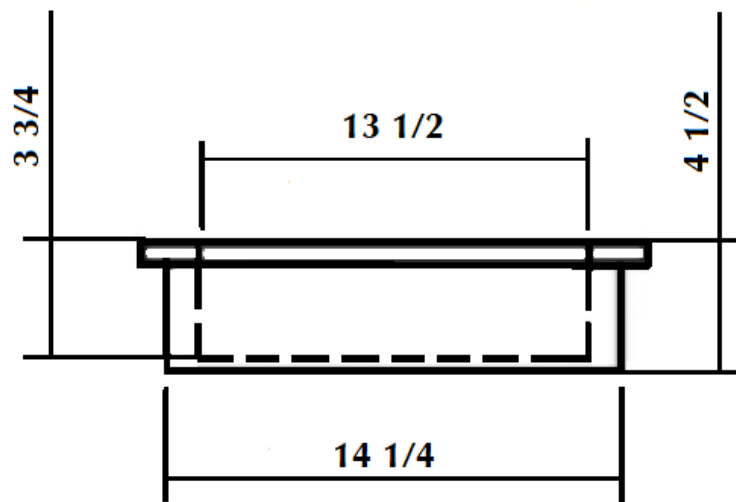
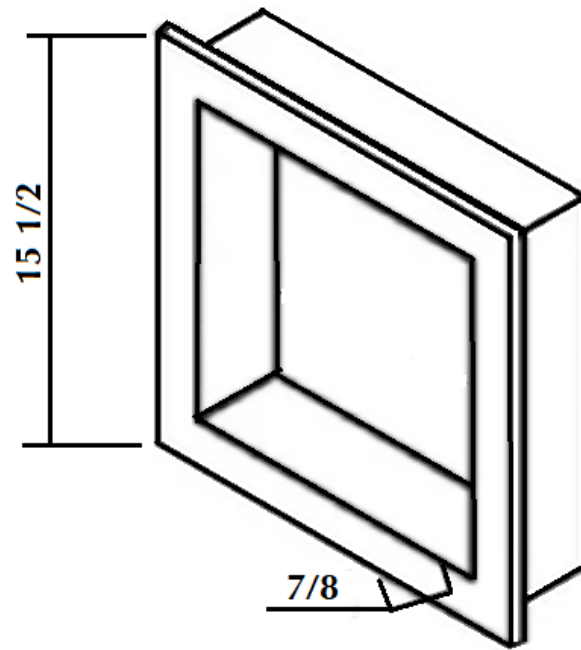


SPECIFICATION DRAWING

SQUARE NICHE



$15 \frac{1}{2} \times 15 \frac{1}{2}$ SQUARE NICHE