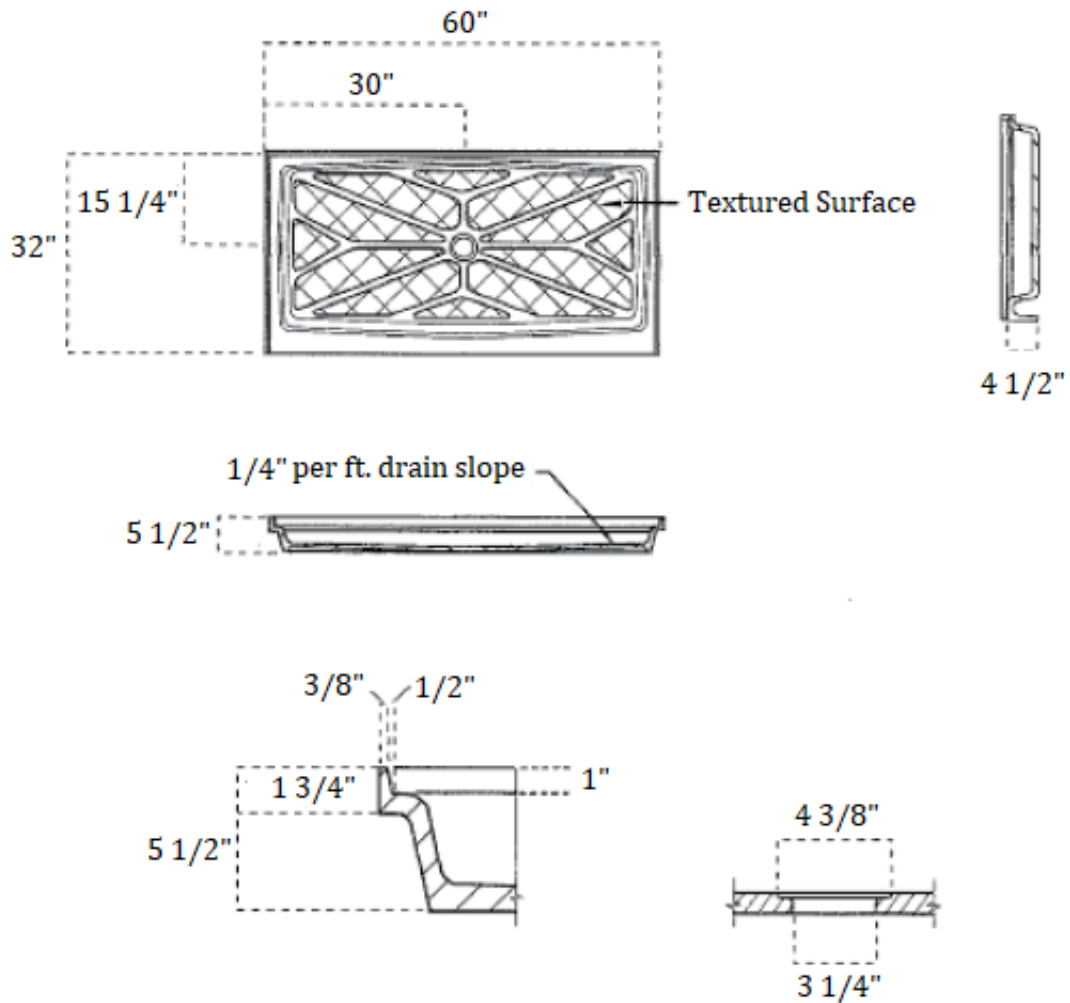


SPECIFICATION DRAWING

SHOWER PAN



60" X 32" 1051-26